

Complete fixture consists of Reflector Trim & Frame-in Kit. Select each separately

Reflector Trim	Frame-in Kit	Lamp	
<b>1176</b> Black	Uniframe Non-Dim	1101LED09N271	
	Uniframe Non-Dim	1101LED09N271-347	
	Uniframe Dimming : 0-10V	1101LED09N27D1	
<b>1176WH</b> White	Uniframe Non-Dim	1101LED09N351	
	Uniframe Non-Dim	1101LED09N351-347	
	Uniframe Dimming : 0-10V	1101LED09N35D1	
<b>1176CH</b> Chrome	Non IC Frame	1102P1	
	Remodeler Ring	1103RS	
	IC Frame	1100IC	
	INC	Lyteneing Frame Non-IC	1104ICN
		Lyteneing Frame IC	1104ICN
	Lyteneing Remodeler Non-IC	1104ICRS	
	Lyteneing Remodeler IC	1104ICRS	
	Lyteneing AirSeal Frame ICX	1104ICXN	
	CFL	Uniframe	1101F13U
		Uniframe	1101F13-347
Uniframe		1101F18U	
Uniframe		1101F18-347	
Uniframe		1101F2642U	
Uniframe		1101F2642-347	
Remodeler Ring		1101FR18U	
Remodeler Ring		1101FR18-347	
Remodeler Ring		1101FR2642U	
Remodeler Ring		1101FR2642-347	
Lyteneing Frame IC		1104F13ESN	
Lyteneing Frame IC		1104F18ESN	
Lyteneing Frame IC		1104F2632ESN	
Lyteneing Remodeler IC		1104F13ESR	
Lyteneing Remodeler IC		1104F18ESR	
Lyteneing Remodeler IC		1104F2632ESR	
Lyteneing AirSeal Frame ICX		1101F18ICUN	
Lyteneing AirSeal Frame ICX		1101F2642ICUN	
			900 lms, 2700K
			900 lms, 2700K
		900 lms, 2700K	
		900 lms, 3500K	
		900 lms, 3500K	
		900 lms, 3500K	
		150W PAR38, 150W BR40, 100W A19	
		150W PAR38, 150W BR40, 100W A19	
		100W BR40, 90W PAR38, 40W A19	
		120W BR40, 90W PAR38, 60W A19, 85W BR30	
		75W PAR38, 65W BR30, 65W BR40, 40W A19	
		120W BR40, 90W PAR38, 60W A19, 85W BR30	
		75W PAR38, 65W BR30, 65W BR40, 40W A19	
		90W BR40, 90W PAR38, 52W A19	
		1-13 QT/TTT	
		1-13 QT/TTT	
		1-18 QT/TTT	
		1-18 QT/TTT	
		1-26/32 TTT	
		1-26/32 TTT	
		1-18 QT/TTT	
		1-18 QT/TTT	
		1-26/32 TTT	
		1-26/32 TTT	
		1-13 QT/TTT	
		1-18 QT/TTT	
		1-26 TTT	
		1-13 QT/TTT	
		1-18 QT/TTT	
		1-26/32 TTT	
		1-18 QT/TTT	
		1-26/32 TTT	

### Features

**Reflector:** Hydroformed aluminum, .032" thick ; non-yellowing reflective white ; white trim flange.

**Step Baffle:** Molded high temperature phenolic with stepped conical surface for low brightness, black or white finish.

**Cone:** Hydroformed aluminum, .040" thick. Specular finish.

### Frame-in Kit

See Frame-In Kit specification sheets for more details.

### Finish

All painted finishes are baked powder or enamel.

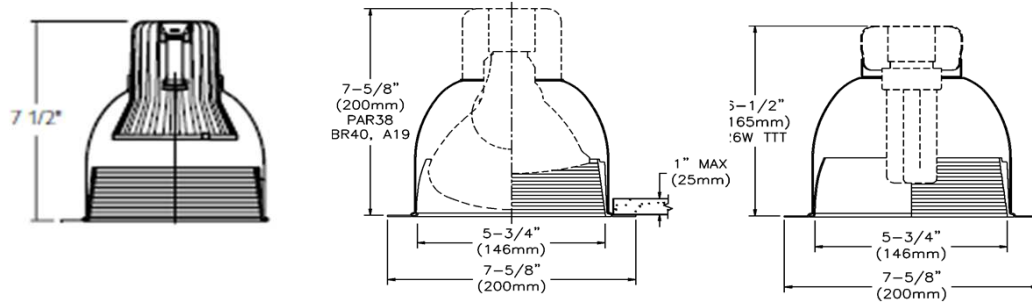
### Markings

cULus listed, suitable for damp locations.

### Accessories

1967A 2 in (51mm). Thick Ceiling Adaptor

Job Information	Type:
Job Name:	
Cat. No.:	
Lamp(s):	
Notes:	



Le luminaire complet comprend la garniture et le cadre de montage : choisir chacun séparément.

Garniture	Cadre de montage		Lampe	
<b>1176</b> Noir	Cadre Uniframe Non-Dim	1101LED09N271	900 lms, 2700K	
	Cadre Uniframe Non-Dim	1101LED09N271-347	900 lms, 2700K	
	Cadre Uniframe Dim 0-10V	1101LED09N27D1	900 lms, 2700K	
<b>1176WH</b> Blanc	Cadre Uniframe Non-Dim	1101LED09N351	900 lms, 3500K	
	Cadre Uniframe Non-Dim	1101LED09N351-347	900 lms, 3500K	
	Cadre Uniframe Dim 0-10V	1101LED09N35D1	900 lms, 3500K	
<b>1176CH</b> Chrome	Cadre Non-IC	1102P1	150W PAR38, 150W BR40, 100W A19	
	Anneau Rénovation Non-IC	1103RS	150W PAR38, 150W BR40, 100W A19	
	Cadre IC	1100IC	100W BR40, 90W PAR38, 40W A19	
	INC	Cadre Lytening Non-IC	1104ICN	120W BR40, 90W PAR38, 60W A19, 85W BR30
		Cadre Lytening IC	1104ICN	75W PAR38, 65W BR30, 65W BR40, 40W A19
	Lyteneing Rénovation Non-IC	1104ICRS	120W BR40, 90W PAR38, 60W A19, 85W BR30	
	Lyteneing Rénovation IC	1104ICRS	75W PAR38, 65W BR30, 65W BR40, 40W A19	
	Cadre Lytening ICX AirSeal®	1104ICXN	90W BR40, 90W PAR38, 52W A19	
	CFL	Cadre Uniframe	1101F13U	1-13 QT/TTT
		Cadre Uniframe	1101F13-347	1-13 QT/TTT
Cadre Uniframe		1101F18U	1-18 QT/TTT	
Cadre Uniframe		1101F18-347	1-18 QT/TTT	
Cadre Uniframe		1101F2642U	1-26/32 TTT	
Cadre Uniframe		1101F2642-347	1-26/32 TTT	
Anneau Rénovation Non-IC		1101FR18U	1-18 QT/TTT	
Anneau Rénovation Non-IC		1101FR18-347	1-18 QT/TTT	
Anneau Rénovation Non-IC		1101FR2642U	1-26/32 TTT	
Anneau Rénovation Non-IC		1101FR2642-347	1-26/32 TTT	
Cadre Lytening IC		1104F13ESN	1-13 QT/TTT	
Cadre Lytening IC		1104F18ESN	1-18 QT/TTT	
Cadre Lytening IC		1104F2632ESN	1-26 TTT	
Lyteneing Rénovation IC		1104F13ESR	1-13 QT/TTT	
Lyteneing Rénovation IC		1104F18ESR	1-18 QT/TTT	
Lyteneing Rénovation IC		1104F2632ESR	1-26/32 TTT	
Cadre Lytening ICX AirSeal®		1101F18ICUN	1-18 QT/TTT	
Cadre Lytening ICX AirSeal®		1101F2642ICUN	1-26/32 TTT	

### Caractéristiques

**Réflecteur** : aluminium hydroformé, .032 po. d'épaisseur ; fini blanc ne jaunissant pas ; bordure de garniture fini blanc.  
**Déflecteur à rainures** : phénolique moulé à haute température avec surface conique à faible brillance, fini noir ou blanc.  
**Cône** : aluminium hydroformé .040 po. d'épaisseur. Fini spéculaire.

### Cadre de Montage

Pour les caractéristiques des cadres de montage, voir les fiches techniques appropriées.

### Fini

Tous les finis peints sont en poudre ou en émail cuit.

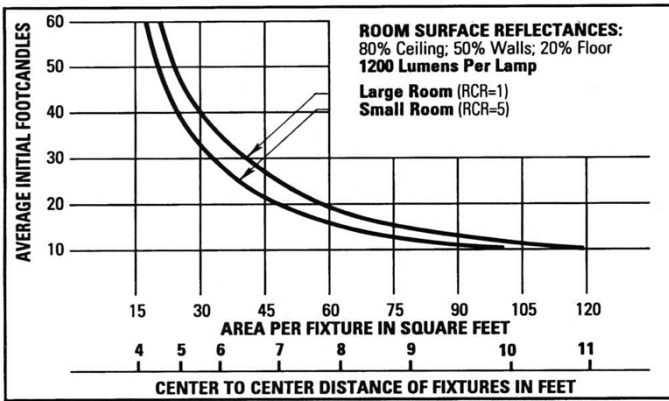
### Marquage

Homologué cULus ; convient aux endroits humides.

### Accessoires

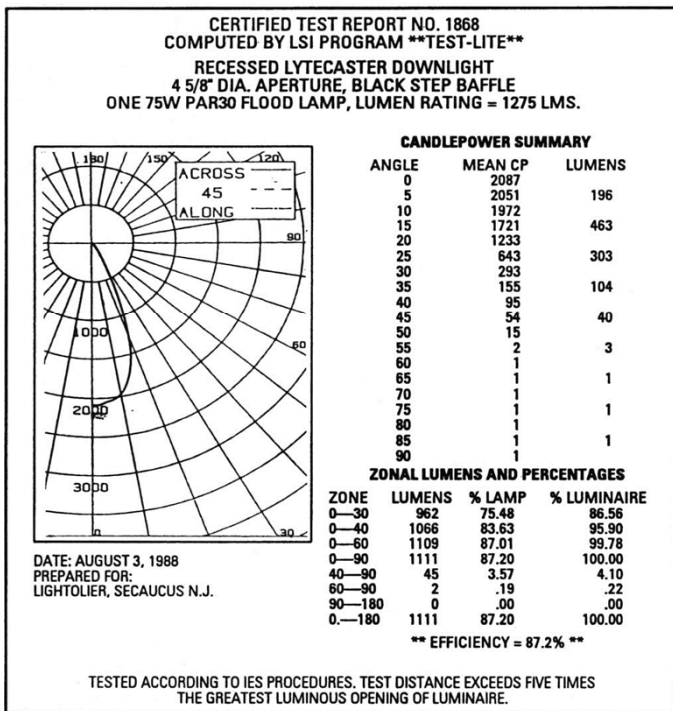
1967A Kit de plafond de 2 po (51mm) max.

Information Projet	Type:
<b>Nom Projet:</b>	
<b>No. Cat.:</b>	
<b>Lampe(s):</b>	
<b>Notes:</b>	



Use quick calculator chart to determine the spacing of 75 Watt PAR30 FL units (Black) for a desired level of illumination. Conversion Factors: 75W PAR30 FL, White, F.C. x 1.1.

SPACING RATIO = 0.7



**COEFFICIENTS OF UTILIZATION**

% EFFECTIVE CEILING CAVITY REFLECTANCE

ROOM CAVITY RATIO	% EFFECTIVE CEILING CAVITY REFLECTANCE															
	80			70			50			30			10			0
	50	30	10	50	30	10	50	30	10	50	30	10	50	30	10	0
1	.99	.97	.96	.97	.95	.94	.93	.92	.91	.90	.89	.88	.87	.87	.86	.85
2	.94	.92	.89	.93	.90	.89	.90	.88	.87	.88	.86	.85	.85	.84	.83	.81
3	.90	.87	.85	.89	.87	.84	.87	.85	.83	.85	.83	.82	.83	.82	.81	.80
4	.87	.84	.81	.86	.83	.81	.84	.82	.80	.83	.81	.79	.81	.79	.78	.77
5	.84	.80	.77	.83	.79	.77	.81	.79	.76	.80	.78	.76	.79	.77	.75	.74
6	.81	.77	.75	.80	.77	.74	.79	.76	.74	.78	.75	.74	.77	.75	.73	.72
7	.78	.74	.72	.77	.74	.71	.76	.73	.71	.75	.73	.71	.75	.72	.70	.69
8	.75	.71	.69	.74	.71	.69	.74	.71	.69	.73	.70	.68	.72	.70	.68	.67
9	.72	.69	.66	.72	.69	.66	.71	.68	.66	.71	.68	.66	.70	.67	.66	.66
10	.70	.67	.64	.70	.67	.64	.69	.66	.64	.69	.66	.64	.68	.65	.63	.63

20% FLOOR CAVITY REFLECTANCE

Conversion Factor: 75W PAR30 FL; White, C.U. x 1.1 65W BR30 FL; Black, C.U. x .75; White, C.U. x 1.0.



Canlyte  
www.canlyte.com  
3015 Louis-Amos, Lachine, Québec H8T 1C4  
(514) 636-0670 • Fax (514) 636-0460

Specifications are subject to charges without notice.  
© Koninklijke Philips Electronics N.V., 2010. All rights reserved.

