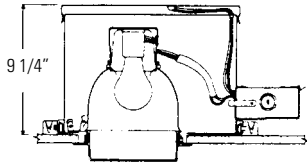
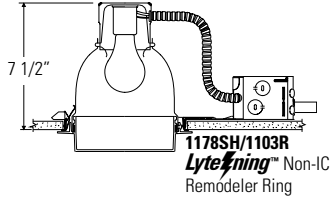




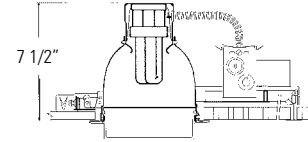
Lytecaster® Recessed Downlighting **1178SH**



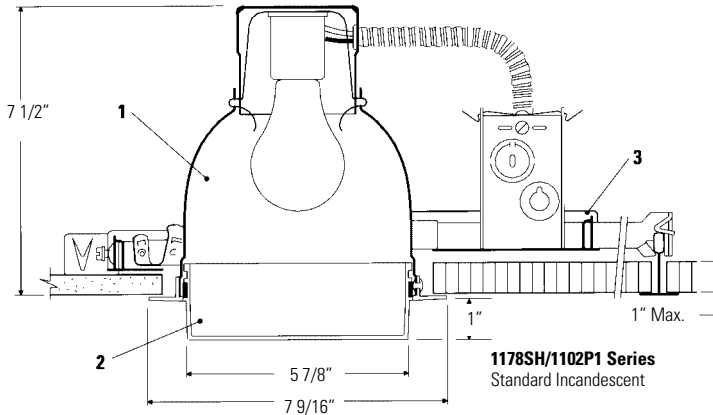
1178SH/1100 DEEP IC Series
Incandescent Insulated Ceiling



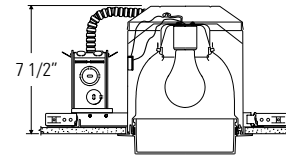
1178SH/1103R
Lytefiring™ Non-IC
Remodeler Ring



1178SH/1102D Series
1178SH/1102F Series
1178SH/1910XDH1
1178SH/1910XFH1
1178SH/1100FT Series
Fluorescent/Non-IC



1178SH/1102P1 Series
Standard Incandescent



1178SH/1104IC
Lytefiring™ Convertible IC/Non-IC

Complete Fixture consists of Reflector Trim & Frame-In Kit. Select each separately.

1178SH Lexan®	Reflector Trim				Frame-In Kit — See Individual Frame-In Kit Specification Sheets			
	Incandescent				Fluorescent			
	Frame-In Kit	Installation Type	Lamping	Height	Frame-In Kit	Installation Type	Lamping	Height
	1102P1	Non-IC		7 1/2"	1102F1	Non-IC		7 5/8"
	1103R	Non-IC	75W A19	7 1/2"	1102FH1	Non-IC		7 5/8"
	1100IC	IC		7 5/16"	1102FH2	Non-IC	1 Lamp Quad Tube	7 5/8"
	1100AICM	IC		7 5/16"	1102FH1R	Non-IC Remodeler	13W (GX23-2)	7 5/8"
	1100DICM	IC	40W A19	9 1/4"	1104F1/N	Non-IC Remodeler		7 1/2"
	1100DAICM	IC		9 1/4"	1104F1/N	IC		7 1/2"
	1104ICX/N	IC		7 1/4"	1910XFH1	Conversion		7 5/8"
	1104IC/N	Non-IC		7 1/2"	1102D1	Non-IC		7 5/8"
	1104ICR	Non-IC Remodeler	40W A19	7 1/2"	1102DH1	Non-IC		7 5/8"
					1102DH1R	Non-IC Remodeler	2 Lamp Quad Tube	7 5/8"
					1910XDH1	Conversion	13W (GX23-2)	7 5/8"
					1102DM1	Non-IC Emergency		7 5/8"
					1102DM2	Non-IC Emergency		7 5/8"
					1100FTU	Non-IC	1 Lamp Triple Tube	7 5/8"
					1100AICMFT	AirSeal®-IC	26W or 32W (GX24-3)	6 7/8"

Features

- Reflector:** Hydroformed aluminum, .040" minimum thickness (18 ga.); Perma white finish, 88% reflectance; plastic white trim flange.
- Drop Opalex Diffuser:** Translucent white, break resistant polycarbonate Lexan®. Installs and removes with twist-lock actions; no tools required.
- Frame-In Kit:** (1102P1 standard frame shown). Other frames listed above and shown on the right. See Frame-In Kit specification sheets for more details.
- Meets NEC® requirements for Spas and Hot Tubs.

Labels

UL (Suitable for Wet Locations - Covered Ceiling), I.B.E.W.

Lexan® is a registered trademark of General Electric.

NEC® is a registered trademark of the National Fire Protection Association.

US Patent Numbers: 4,313,154; 4,327,403; 5,045,985

Other US & Foreign Patents Pending.

Job Information	Type:
Job Name:	
Cat. No.:	
Lamp(s):	
Notes:	

Lightolier a Genlyte Thomas Company

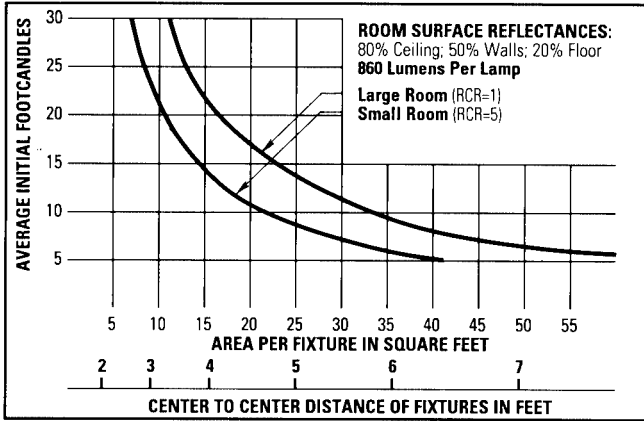
www.lightolier.com

631 Airport Road, Fall River, MA 02720 • (508) 679-8131 • Fax (508) 674-4710

We reserve the right to change details of design, materials and finish.

© 2002 Genlyte Thomas Group LLC (Lightolier Division) • D0902

LIGHTOLIER®



Use quick calculator chart to determine the spacing of 2 Lt. 13Watt Quad Tube units for a desired level of illumination. Conversion Factors: 1 Lt. 13W Quad Tube, F.C. x 0.55. 75W A19, F.C. x 1.45.

SPACING RATIO = 1.3

CERTIFIED TEST REPORT NO. 2045
COMPUTED BY LSI PROGRAM **TEST-LITE**
RECESSED LYTECASTER DOWNLIGHT
6 1/2" DIA., DROPPED OPALEX
TWO 13W DTT COMPACT FLUORESCENT LAMPS. LUMEN RATING = 860 LMS.
WITH VENT HOLES

CANDLEPOWER SUMMARY

ANGLE	ALONG	22.5	45	67.5	ACROSS	LUMENS
0	95	95	95	95	95	
5	94	95	95	95	95	9
10	93	93	94	94	94	
15	92	92	92	92	93	26
20	90	90	90	91	90	
25	88	87	88	88	88	41
30	85	85	84	85	85	
35	81	80	81	82	82	51
40	77	77	77	77	77	
45	72	72	72	73	73	56
50	66	66	67	66	67	
55	61	61	61	61	61	55
60	55	54	55	55	55	
65	48	48	48	48	48	47
70	40	41	41	41	41	
75	33	33	33	33	33	35
80	25	26	26	26	26	
85	19	20	20	19	20	22
90	16	16	15	15	15	

ZONAL LUMENS AND PERCENTAGES

ZONE	LUMENS	% LAMP	% LUMINAIRE
0-30	75	4.40	22.16
0-40	126	7.36	37.04
0-60	236	13.78	69.34
0-90	341	19.87	100.00
40-90	215	12.51	62.96
60-90	104	6.09	30.66
90-180	0	.00	.00
0-180	341	19.87	100.00

** EFFICIENCY = 19.9% **

TESTED ACCORDING TO IES PROCEDURES. TEST DISTANCE EXCEEDS FIVE TIMES THE GREATEST LUMINOUS OPENING OF LUMINAIRE.

COEFFICIENTS OF UTILIZATION

% EFFECTIVE CEILING CAVITY REFLECTANCE

ROOM CAVITY RATIO	% WALL REFLECTANCE															
	80			70			50			30			10			0
	50	30	10	50	30	10	50	30	10	50	30	10	50	30	10	0
1	.20	.19	.18	.20	.19	.18	.19	.18	.18	.18	.18	.17	.17	.17	.17	.16
2	.18	.16	.15	.17	.16	.15	.16	.15	.14	.16	.15	.14	.15	.14	.14	.13
3	.15	.14	.12	.15	.13	.12	.14	.13	.12	.14	.13	.12	.13	.12	.11	.11
4	.14	.12	.10	.13	.12	.10	.13	.11	.10	.12	.10	.10	.12	.11	.10	.09
5	.12	.10	.09	.12	.10	.09	.11	.10	.09	.11	.10	.09	.11	.09	.08	.08
6	.11	.09	.08	.11	.09	.08	.10	.09	.07	.10	.08	.07	.10	.08	.07	.07
7	.10	.08	.07	.09	.08	.06	.09	.08	.06	.09	.07	.06	.09	.07	.06	.06
8	.09	.07	.06	.09	.07	.06	.08	.07	.06	.08	.07	.06	.08	.07	.06	.05
9	.08	.06	.05	.08	.06	.05	.08	.06	.05	.07	.06	.05	.07	.06	.05	.05
10	.07	.05	.04	.07	.05	.04	.07	.05	.04	.07	.05	.04	.06	.05	.04	.04

20% FLOOR CAVITY REFLECTANCE

Conversion Factors: 1 Lt. 13W Quad Tube, C.U. x 1.15. 75W A19, C.U. x 2.0.

To convert lighting data for a lower wattage incandescent lamp of the same type, multiply the footcandle (or candlepower) values by the ratio of the lumens of the two lamps. The coefficients of utilization remain the same.

Job Information **Type:**

Lightolier a Genlyte Thomas Company
631 Airport Road, Fall River, MA 02720 • (508) 679-8131 • Fax (508) 674-4710
We reserve the right to change details of design, materials and finish.
© 2002 Genlyte Thomas Group LLC (Lightolier Division) • D0902

LIGHTOLIER®