

6000NWH	6004NWH	6050NWH	6061NWH	7480
6000NBK	6004NBK	6050NBK	6061NBK	7480AL
6000NAL	6004NAL	6051NWH	6062WH	7481
6001NWH	6008NWH	6051NBK	6062BK	7582
6001NBK	6008NBK	6052NWH	6062NAL	7582AL
6001NAL	6008NAL	6052NBK	6063WH	7584
6002NWH	6046NWH	6053NWH	6063BK	7586
6002NBK	6046NBK	6053NBK	6063NAL	7586AL
6002NAL	6048NWH	6054NWH	26082	
6003NWH	6048NBK	6054NBK	6087	
6003NBK	6049NWH	6060NWH	6088	
6003NAL	6049NBK	6060NBK	6089	

Finishes	Individual Track			Joiner Track	Plain Track		
	Includes Live End Feed Connector			Includes Mini Coupler	Includes Dead End		
	2' Catalog No.	4' Catalog No.	8' Catalog No.	8' Catalog No.	4' Catalog No.	8' Catalog No.	12' Catalog No.
Matte White	6000NWH	6001NWH	6002NWH	6003NWH	6004NWH	6008NWH	6012NWH
Matte Black	6000NBK	6001NBK	6002NBK	6003NBK	6004NBK	6008NBK	6012NBK
Met Aluminum	6000NAL	6001NAL	6002NAL	6003NAL	6004NAL	6008NAL	6012NAL

Features

Basic Lytespan is a one circuit electrical distribution system designed to support and supply all Lytespan lighting units in a flexible manner. The track can be installed individually in straight runs or in a variety of patterns.

- Basic Lytespan Track:** 6063-T5 structural aluminum extrusion.
- Track Mounting Clips:** 0.024 Spring steel, in black or white; order separately.
- Toggle Bolt & Screws:** furnished with track units.
- Conductor (2):** copper 12 ga. equivalent. "U" shape provides reliable contact with connectors.
- Insulating Liner:** 0.032" wall, high temperature thermoplastic.
- Polarity Bead:** identifies the neutral conductor.
- Live End:** molded thermoplastic. Contains contacts for power supply leads.
- Dead End Cover:** molded thermoplastic.
- Mini Coupler:** connects track units mechanically and electrically.

Mounting

The track may be surface or stem mounted (see pages 2, 3, and 4) or installed in a recessed housing (see Specification sheet 7515). The track is not intended to be cable mounted. All lengths can be field cut.

Finish

All painted finishes are baked enamel.

Electrical

Capacity is 20 amps. at 120 volts per branch circuit (2400 watts incandescent load). The track units are polarized and continuously grounded throughout. Electrical conductors are concealed in a insulating liner. Intended for wiring to branch circuit building wire with ground. All wiring must be in accordance with National and Local Codes.

Mechanical

Track units plug together and lock securely to prevent accidental separation. Lytespan lighting units can be attached at any point along the track.

Labels

cUL; I.B.E.W

Job Information	Type:
Job Name:	
Cat. No.:	
Lamp(s):	
Notes:	

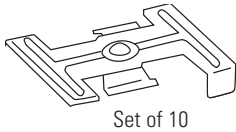
Track Mounting and Power Feed Systems

Track Mounting Clips

Recommended: 2 clips per 2' & 4' track, 3 clips per 8' and 12' track units, order separately. Attaches to track at any point. Clip is nylon coated. Spaces track 1/16" from ceiling.

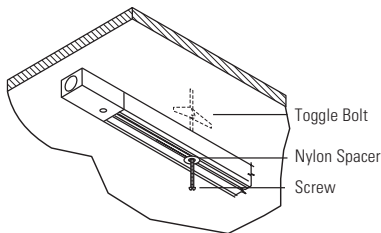
Not recommended for wall mounting.

- 56451WH** Matte White
- 56451BK** Matte Black



Direct Mounting

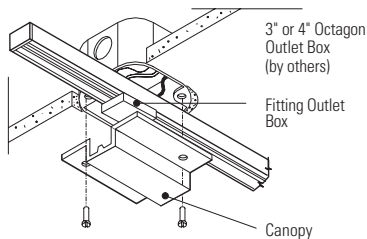
Toggle bolts and nylon insulators are furnished with Track, two per 2' and 4' track, three per 8' and 12' track. Mount through existing holes in track. Top of track sits flush to mounting surface. *Recommended for wall and ceiling mounting.*



Saddle Canopy Kit

Mounts anywhere along track for power feed from a 4" or 3" octagon outlet box. Use Track Mounting Clips or direct mount track. Especially useful with Plain Track. Max load 20 amps @ 120V, 60Hz.

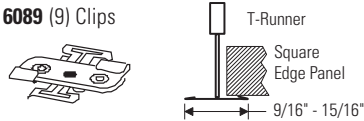
- 6063WH** Matte White



Grid Ceiling Mounting Clips

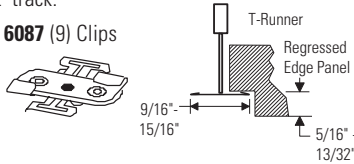
Square Edge Panels and 9/16"-15/16" T-Bars Clip is supplied assembled. Mounts onto T-Bars by rotating clips. Use two per 2' and 4' track, three per 8', and four per 12' track.

- 6089** (9) Clips



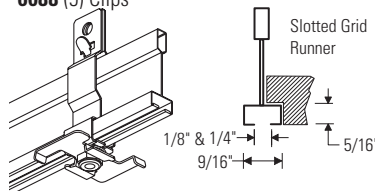
Regressed Edge Panels and 9/16" - 15/16" T-Bar Clip is supplied assembled. Mounts easily onto T-Bars by rotating clips. Use two per 2' and 4' track, three per 8', and four per 12' track.

- 6087** (9) Clips



Slotted Grid Ceilings such as Donn Finline and Chicago Metallic Ultraline 3500 and 3600. Use two per 2' and 4' track, three per 8', and four per 12' track.

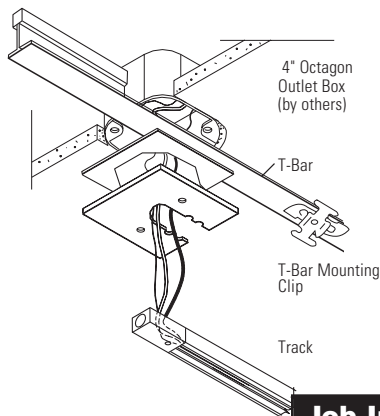
- 6088** (9) Clips



Grid Ceiling Canopy Kit

Mounts to a 4" or 3" octagonal outlet box. Use two per 2' or 4' track, three per 8' and 12' track. When making a run of track do not exceed 4' between stems. Includes a special outlet box to fit onto runners. Power can be fed to Feed Track, Live End, "L", "T", "X", and In-Line connectors. Mounts along runner or at the intersection of runners.

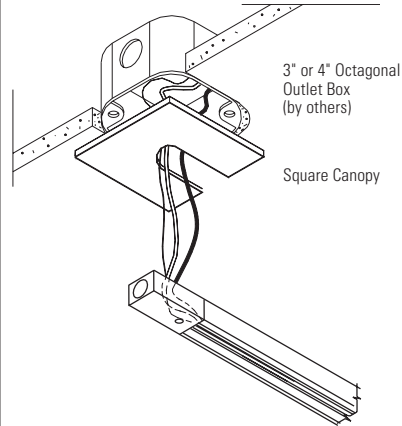
- 6096WH** Matte White
- 6096BK** Matte Black



End Feed Canopy Kit

Mounts directly to Live End, 'L', 'T', 'X', In-Line and Variable Angle Connectors. Mounts to a 4" or 3" octagonal outlet box. For track installed with mounting clips or direct mounted. Canopy is 3/32" thick and 4-1/2" square.

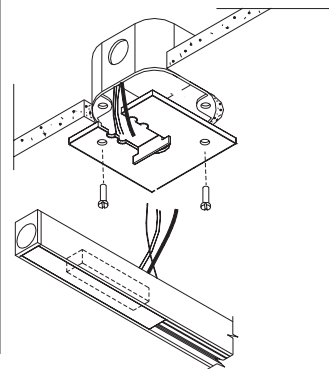
- 6060WH** Matte White
- 6060BK** Matte Black
- 6060NAL** Aluminum



Floating Canopy Kit

Mounts to a 4" or 3" octagonal outlet box. Canopy is positioned anywhere along track, up to 4' from edge of track extrusion. Power can be fed to Live End, 'L', 'T', 'X', In-Line and Variable Angle Connectors. Mount track using track mounting clips. Canopy is 3/32" thick and 4-1/2" square.

- 6061WH** Matte White
- 6061BK** Matte Black
- 6061NAL** Aluminum



Job Information **Type:**

Track Mounting and Power Feed Systems

Stem Mounting Kits

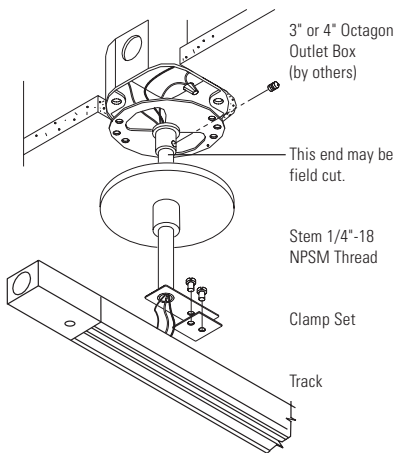
Mounts to a 4" or 3" octagon outlet box. Use two per 2' and 4' track, three per 8' and 12' track. When making a run of track do not exceed 4' between stems. Use additional stems for additional support. Power is fed to the track with the stem closest to the track feed-in point. For power feed to Feed Track and Live End, "L", "T", "X", In-line, and Variable Angle Connectors. Stem can be field cut.

Not recommended for wall mounting.

Stem mounts to track not feed connector. 18" Stem 48" Stem

Actual length from ceiling to top of track: 17 3/8" 47 3/8"

Matte White **7584** **7586**
Matte Black **7683** **7681**



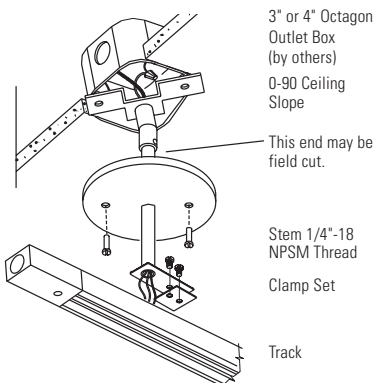
Swivel Stem Mounting Kits

Adjusts from 0 to 90. Mounts to a 4" or 3" octagon outlet box. Use two per 2' and 4' track, three per 8' and 12' track. When making a run of track do not exceed 4' between stems. Use additional stems for additional support. Power is fed to the track with the stem closest to the track feed-in point. For power feed to Feed Track and Live End, "L", "T", "X", In-line, and Variable Angle Connectors. Can be field cut. 48" stem.

Not recommended for wall mounting.

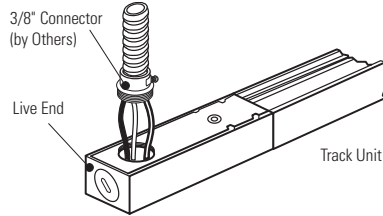
Stem mounts to track not feed connector.

7480 Matte White
7481 Matte Black



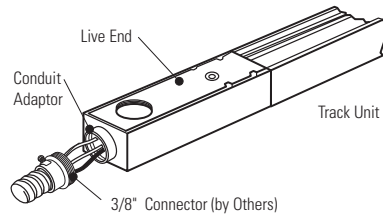
Direct Feed into Connectors

The Live End, "L", "T", "X", In-line, and Variable Angle Connectors contain a nut with a 1/2-14 thread to accept a 3/8" or 1/2" (trade size) electrical connector, 3/8" connector recommended. Does not require a separate power feed kit.



Conduit Adaptor

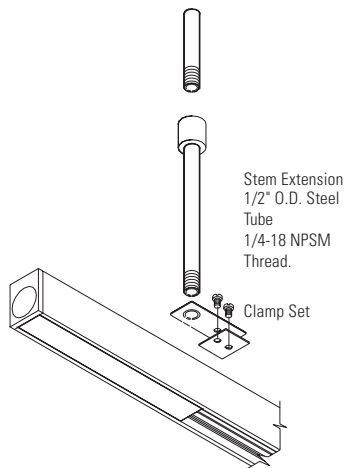
For feeding power to Live End from secure cable terminating in a 3/8" (trade size) electrical connector. Conduit must be self supporting. For use with 6048 and 6046. **7596** Zinc Plate



Stem Extension Kit

Mounts to any stem kit to extend its length by 48". Cannot be field cut.

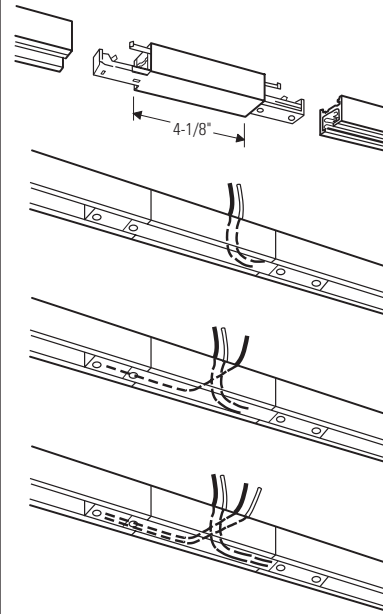
7582 Matte White
7680 Matte Black



In-Line Connector

Permits power feed between track units in a straight run of track. The In-Line Connector is polarized and pre-wired. KO permits direct feed with electrical connector.

6054NWH Matte White
6054NBK Matte Black
6054NAL Aluminum

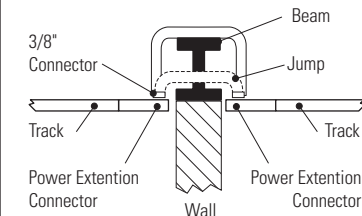


Power Extension Connector

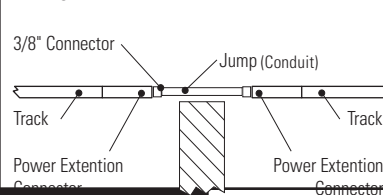
Replaces Dead End Cover at end of track to permit power continuity around structural obstacles to another track section. Accepts same power feed-in kits as Live End.

6046NWH Matte White
6046NBK Matte Black
6046NAL Aluminum

Over Beam or Through Beam



Through Wall or Column



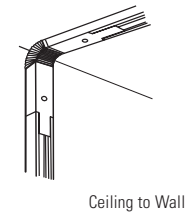
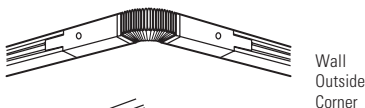
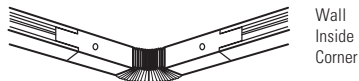
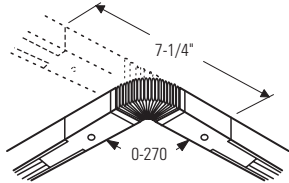
Job Information Type:

Track Mounting, Power Feed Systems and Mounting Patterns

Variable Angle Connector

The Variable Angle Connector is pre-wired and polarized. It contains a die-cast zinc nut which accepts a standard 3/8" threaded conduit fitting. Flexes to any angle between 0-90.

- 6053WH** Matte White
- 6053BK** Matte Black
- 6053NAL** Aluminum

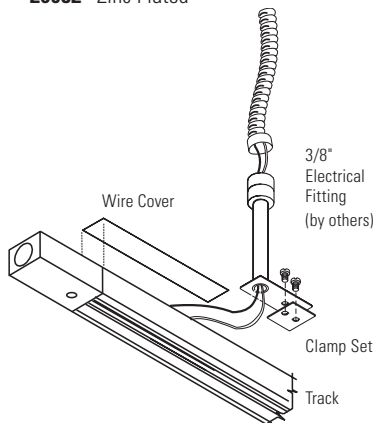


Ceiling to Wall

Floating Invisible Feed

Can be mounted anywhere along the track at a maximum distance of 4' from edge of track extrusion. Accepts conduit or cable with 3/8" or 1/2" electrical connector (by others). Can be used with Live End, "L", "T", "X", and In-Line and Variable Angle connectors. Use Track Mounting Clips to mount the track.

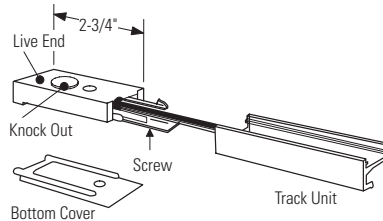
- 26082** Zinc Plated



Live End

Energizes Track from the beginning of a run. KO permits direct feed with electrical connector. It is included with Individual Track Units. Use with plain track units.

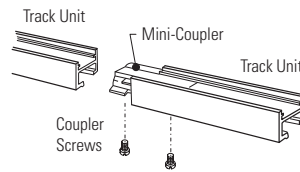
- 6048NWH** Matte White
- 6048NBK** Matte Black
- 6048NAL** Aluminum



Mini-Coupler

Used to connect two pieces of track together mechanically and electrically. Power cannot be fed to the Mini-Coupler. It is included with Joiner Track Units.

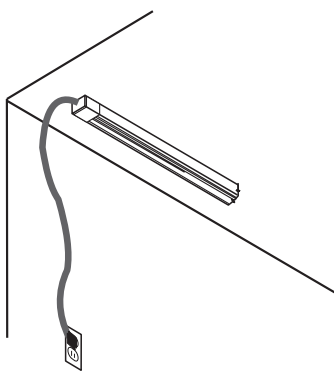
- 6049NWH** Matte White
- 6049NBK** Matte Black
- 6049NAL** Aluminum



Cord and Plug

Energizes track from a polarized 120V receptacle. Especially useful with plain track. Supplied with a 15' two conductor 18 ga. cord and In-Line switch. The switch is supplied unattached. The track is not to exceed 1200 watts. The switch is rated for 6 amps, 720 watt with cord and plug attached.

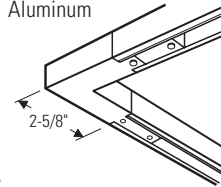
- 6062WH** Matte White
- 6062BK** Matte Black



"L" Connector

The "L" connector is polarized and pre-wired. It may be rotated for right angle or left angle turn. KO permits direct feed with electrical connector.

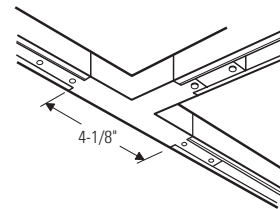
- 6050NWH** Matte White
- 6050NBK** Matte Black
- 6050NAL** Aluminum



"T" Connector

The "T" connector is not pre-wired or polarized. Used to make "T" pattern with track. 12 ga. copper jumper wires supplied to make all necessary connections. KO permits direct feed with electrical connector.

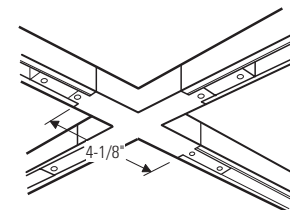
- 6051NWH** Matte White
- 6051NBK** Matte Black
- 6051NAL** Aluminum



"X" Connector

The "X" connector is not pre-wired or polarized. Used to make "X" pattern with track. 12 ga. copper jumper wires supplied to make all necessary connections. KO permits direct feed with electrical connector.

- 6052NWH** Matte White
- 6052NBK** Matte Black
- 6052NAL** Aluminum



Job Information

Type: