

AA2U6

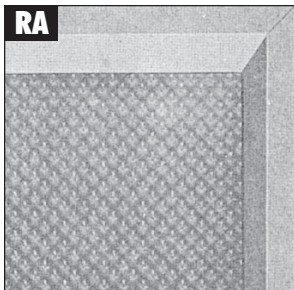
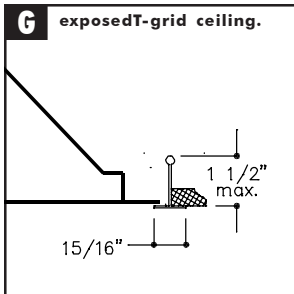
AA TROFFER

2' X 2' RECESSED FLUORESCENT
FULL SIZE LENS FRAME
STATIC ONLY
2-LAMP 6" T8 OR T12

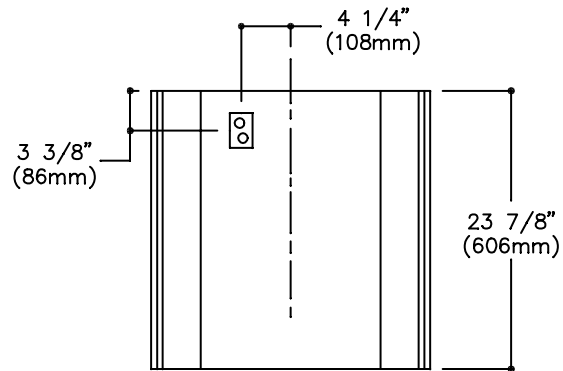
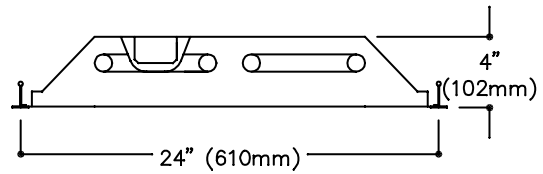
- Efficiency 69.5%
- One-piece housing.
- Only 4" nominal deep body.
- Flat steel full-size lens frame.
- Regressed extruded aluminum lens frame.
- Cam-action latches.
- Twin knockout access plate for easy closed lens frame wiring.



MOUNTING METHODS/FEATURES



DIMENSIONS



FIXTURE TYPE	VOLTS
JOB INFORMATION: _____	

CFI FLUORESCENT

AA2U6

AA TROFFER 2' X 2' RECESSED FLUORESCENT

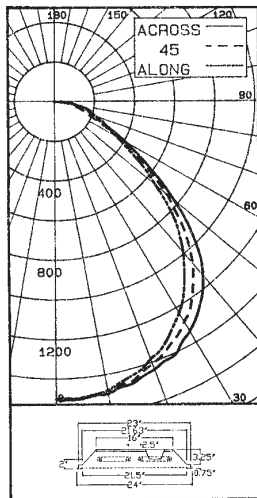


LIGHTING SCIENCES CANADA LTD.

440 Phillip St., Unit 19, Waterloo, Ont., Canada N2L 5R9
Tel: (519) 746-3140 Fax: (519) 746-3156

CERTIFIED TEST REPORT NO. LSC6141
COMPUTED BY LSC PROGRAM **TEST-LITE**

CFI 2'x2' INDOOR RECESSED TROFFER FLUORESCENT FIXTURE CAT. NO. AA2U6-120SOVA
WITH WHITE PAINTED INTERIOR AND FLAT PRISMATIC K-12 LENS
TWO 31W FB31TR/PL741/6 U-SHAPED T8 FLUORESCENT LAMPS. LUMEN RATING = 2600 LMS.
ADVANCE 120V TWO-LAMP ELECTRONIC BALLAST NO. RH1-2P32-RH-TP



ANGLE	ALONG	45	67.5	ACROSS
0	1500	1500	1500	1500
5	1498	1494	1501	1498
10	1480	1480	1494	1497
15	1435	1439	1462	1473
20	1382	1399	1408	1426
25	1320	1324	1353	1389
30	1232	1249	1282	1324
35	1122	1141	1191	1242
40	993	1013	1066	1122
45	847	845	907	953
50	657	670	730	758
55	499	517	551	578
60	369	373	381	408
65	278	269	253	279
70	212	198	164	206
75	171	156	132	158
80	115	104	97	102
85	54	53	56	70
90	0	0	0	0

ZONE	LUMENS	% LAMP	% LUMINAIRE
0-30	1180	22.70	32.65
0-40	1923	36.98	53.20
0-60	3112	59.86	86.12
0-90	3514	69.52	100.00
40-90	1691	32.53	46.80
60-90	501	9.65	13.88
90-180	0	.00	.00
0-180	3614	69.52	100.00

** EFFICIENCY = 69.5% **

PAINT REFLECTANCE = .89 S/MH = 1.3
SC(ALONG) = 1.2, SC(ACROSS) = 1.3

LUMINANCE SUMMARY-CD. / SQ. M.

ANGLE	ALONG	45	ACROSS
45	4017	4318	4678
55	2916	3231	3391
65	2205	2012	2280
75	2218	1710	2426
85	2064	2168	2711

CERTIFIED BY: *K. J. J. J.* DATE: AUG 18, 1995
PREPARED FOR: CANADIAN FLUORESCENT INDUSTRIES
CORNWALL, ONTARIO

TESTED ACCORDING TO IES PROCEDURES. TEST DISTANCE EXCEEDS FIVE TIMES THE GREATEST LUMINOUS OPENING OF LUMINAIRE.

COEFFICIENTS OF UTILIZATION

ZONAL CAVITY METHOD

EFFECTIVE FLOOR CAVITY REFLECTANCE = .20

CC WALL	80				70				50				30				10				0
	70	50	30	10	70	50	30	10	50	30	10	50	30	10	50	30	10	50	30	10	0
RCR	0	.83	.83	.83	.83	.81	.81	.81	.81	.77	.77	.77	.74	.74	.74	.71	.71	.71	.70		
	1	.77	.74	.71	.69	.75	.73	.70	.68	.69	.68	.66	.67	.65	.64	.64	.63	.62	.61		
	2	.71	.66	.62	.59	.69	.65	.61	.58	.62	.59	.57	.60	.58	.55	.58	.56	.54	.53		
	3	.66	.59	.54	.50	.64	.58	.54	.50	.56	.52	.49	.54	.51	.48	.53	.50	.48	.46		
	4	.61	.53	.48	.44	.59	.52	.48	.43	.51	.46	.43	.49	.45	.42	.48	.45	.42	.40		
	5	.56	.48	.42	.38	.54	.47	.42	.38	.46	.41	.37	.44	.40	.37	.43	.39	.36	.35		
	6	.52	.43	.37	.33	.50	.42	.37	.33	.41	.36	.33	.40	.36	.33	.39	.35	.32	.31		
	7	.48	.39	.33	.29	.47	.38	.33	.29	.37	.32	.29	.36	.32	.29	.36	.32	.28	.27		
	8	.44	.35	.29	.26	.43	.34	.29	.25	.34	.29	.25	.33	.28	.25	.32	.28	.25	.24		
	9	.41	.32	.26	.22	.40	.31	.26	.22	.30	.25	.22	.30	.25	.22	.29	.25	.22	.21		
	10	.38	.29	.23	.20	.37	.28	.23	.20	.28	.23	.20	.27	.22	.19	.26	.22	.19	.18		

DETERMINED IN ACCORDANCE WITH CURRENT IES PUBLISHED PROCEDURES
LUMINAIRE INPUT WATTS = 52.4
LABORATORY RESULT MAY NOT BE REPRESENTATIVE OF FIELD PERFORMANCE.
BALLAST FACTORS HAVE NOT BEEN APPLIED.

ORDERING INFORMATION Explanation of Catalogue Number Example: AA2U6-120SOVA

AA	2	U6	120	SO	VA		
FAMILY AA THE TROFFER	LAMP QUANTITY 2=2 Lamp	NOMINAL LAMP SIZE U6=6" U Lamp T8 U2=6" U□ Lamp T12	VOLTAGE 120=120V 277=277V 347=347V	BALLAST DESIGNATION LE=T12 Magnetic OC=T8 Magnetic SO=T8 Electronic	SHIELDING DESIGNATION VA=0.095" Pattern 12 Acrylic Lens VB=0.125" Pattern 12 Acrylic Lens	DOOR FRAME Blank=Flush steel RA=Regressed aluminum	SPECIAL OPTIONS

OPTIONS/ACCESSORIES

LENSES/SHIELDING

VB : Pattern 12 lens .125" nominal-Prismatic lens
VY : Pattern 12 lens .130" nominal-Prismatic lens
KA : Pattern 19 lens .156" nominal-Prismatic lens

AP : 1/2 x 1/2 x 1/2 parabolic louver silver acrylic
SA : 1 1/2 x 1 1/2 x 7/8 parabolic louver silver acrylic

DRYWALL KIT: For plaster frames, order Cat. No.: **FK92X2**

INTERNAL INTERFERENCE FILTER: Consult CFI
Fluorescent representative.

EMERGENCY LIGHTING SYSTEM: SUFFIX: **O**
Emergency battery pack with charger.
(90 minutes at 20% of lumens for 1 lamp).

RADIO INTERFERENCE FILTER: 120, 277 or 347 volt,
50 or 60 Hz. SUFFIX: **R**.

BALLAST OPTIONS: For other ballast options, consult ballast specification sheet (folio BA-1-02)

SPECIFICATIONS

PERFORMANCE: In an installation of 2 lamp 31W luminaires in a room cavity ratio of 1, with reflectance of 80% ceiling, 50% walls, 20% floor, the C.U. shall not be less than .74. To reduce glare the average luminance at 65 shall not exceed 2280 candelas per square meter. To control veiling reflections, luminaire output in the 30° -90° zone shall be not less than 67%.

MATERIALS: Chassis parts are die-formed code gauge cold rolled steel. Lens frames - flat full-size steel frame.

FINISH: Chassis exterior - white baked polyester enamel. Cavity-white baked polyester enamel minimum 86% reflectance. Phosphate undercoating.

LENS: Extruded virgin acrylic 3/16" square based female cones, running 45° to the panel edge, 0.095" nominal thickness (similar to pattern 12).

ELECTRICAL: Rapid start HPF, thermally protected class "P" ballast C.B.M. certified by E.T.L. if K.O. is within 3" of ballast, use wire suitable for at least 90°. **LABELS:** Listed by CSA.

We reserve the right to change, materials and finish in any way that will not alter installed appearance or reduce function and performance.



525 EDUCATION RD., CORNWALL, ONTARIO K6H 6C7
TEL.: (613) 938-6221 • FAX: (613) 938-0961