



CFI's high performance AA series of lens troffers offers unique features that outperform and extend more value for money than any other comparable fluorescent troffer. The 2' x 4' and 1' x 4' models offer rolled over edges, integrated light leak stops and mitered corners on door frames, which makes this the toughest and highest performance troffer in its class. Side mount ballast on 1' x 4' is ideal for 1 lamp applications.

Features

- 73.3% efficient (4-lamp T8), 80.9% (3-lamp T8), 78.6% (2-lamp T8)
- 3-5/8" deep (2' x 4')
- All other types 4" deep
- 2' x 4' luminaire side rails have rolled-over edges for maximum safety
- Flush steel full-sized door frame with mitered corner detailing. (1' x 4', 2' x 4')
- Angle regressed extruded aluminum door (optional)
- Built-in hold-down clip. (2' x 2', 2' x 4')

Options (p. 240-244)

Drywall Kit: For plaster frames, order Cat. No.: **FK92X4** for (2' x 4') troffer; **FK92X2** for (2' x 2') troffer; **FK91X4** for (1' x 4') troffer.

Internal Fusing: Internal fast-blow fusing. Suffix: **F**.

Radio Interference Filter: 120 or 277 volts, 50 or 60Hz. Suffix: **R**.

Emergency Lighting System:

Suffix: **O** (e.g. AA248-120HIVA0). Emergency battery pack with charger. (90 minutes at 15% of lumens for 1 lamp.)

Special Lens: VA lens pattern 12 prismatic virgin acrylic is standard. For other available lenses, see p. 241.

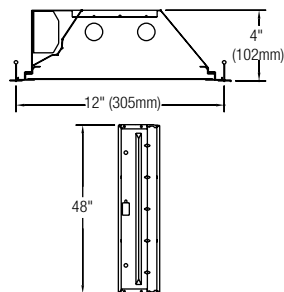


Hemmed edge 2' x 4' and 1' x 4' for safe handling.

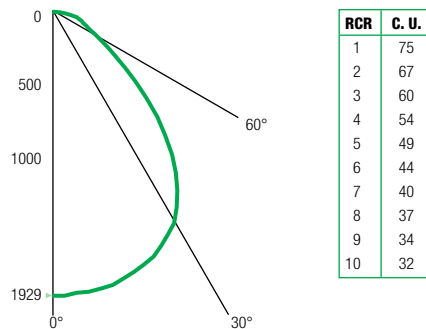


End cap hold-down clip. (2' x 2', 2' x 4')

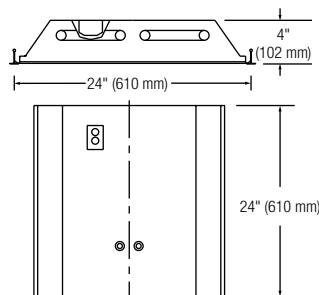
AA 1' x 4'



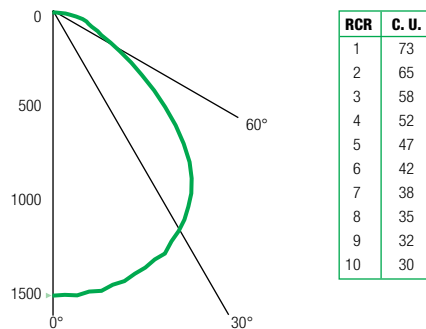
AA248-UNVHIVA (Data)



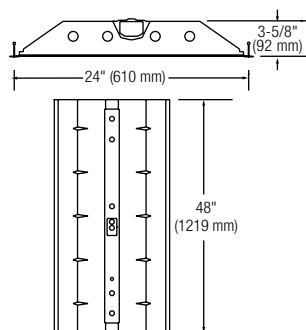
AA 2' x 2'



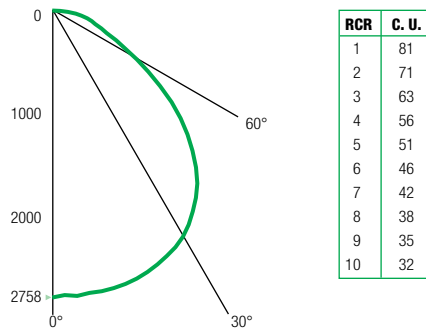
AA2U6-UNVHIVA (Data)



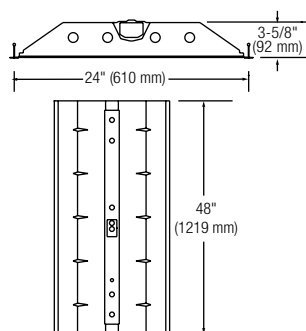
AA 2' x 4'



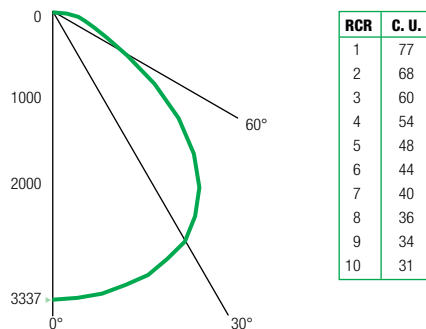
AA348-UNVH3VA (Data)



AA 2' x 4'



AA448-UNVH4VA (Data)



AA series catalogue numbering system

AA

Family
AA
Troffer

4

Lamp
Quantity
1: 1 Lamp
2: 2 Lamps
3: 3 Lamps
4: 4 Lamps

48

Nominal Lamp
Size
24: 24"
48: 48"
U6: 6" U T8
W8: 2 Lamps 48"
(2' x 4')

UNV

Voltage
120: 120V
277: 277V
UNV: 120-277V
347: 347V

HI

Ballast
HI: Elect. I.S., T8, 1 or 2 LPB, <10% THD
H3: Elect. I.S., T8, 3 LPB, <10% THD
H4: Elect. I.S., T8, 4 LPB, <10% THD
LPB: Number of lamps per ballast

VA

Shielding
VA: 0.095" Pattern 12 Acrylic Lens
For complete shielding option listing, refer to p. 241.

Blank

Door Frame
Blank: Flush steel
RA: Regressed aluminum

Options

For complete option listing, refer to p. 240-244.

Reference Data	
Efficiency	70.7%
Spacing Ratio	1.3
Electronic Ballast	
Input Watts (120V)	60.0W
Ballast Factor	.88

Application Data*				
Luminaire Spacing	FC	VCP	W/Sq Ft	
<i>50' x 70' x 8.5' Space</i>				
8' x 8' (64 sq ft/luminaire)	52	59	.9	
8' x 10' (80 sq ft/luminaire)	42	59	.8	
<i>12' x 16' x 8.5' Space</i>				
6' x 8' (48 sq ft/luminaire)	45	84	1.3	

Ordering Guide				
Type	Luminaire Size	Lamp Qty/Type	Exposed T-Grid	
AA				
Flush Steel	Static	1' x 4'	1-T8	AA148
Door Frame	Static	1' x 4'	2-T8	AA248

AA248 -
 120
HI
VA

Basic Catalogue Number: AA Troffer
 Voltage: 120V
 Ballast Designation: HI
 Shielding Designation: VA
 Door Frame:
 Special Options:

Reference Data	
Efficiency	69.5%
Spacing Ratio	1.3
Electronic Ballast	
Input Watts (120V)	60.0W
Ballast Factor	.88

Application Data*				
Luminaire Spacing	FC	VCP	W/Sq Ft	
<i>50' x 70' x 8.5' Space</i>				
8' x 8' (64 sq ft/luminaire)	48	58	0.9	
8' x 10' (80 sq ft/luminaire)	40	58	0.8	
<i>12' x 16' x 8.5' Space</i>				
6' x 8' (48 sq ft/luminaire)	47	81	1.2	
<i>8' x 8' x 8.5' Cubicle/60" Partition</i>				
8' x 8' (64 sq ft/luminaire)	30	58	0.9	

Ordering Guide				
Type	Luminaire Size	Lamp Qty/Type	Exposed T-Grid	
AA				
Flush Steel	Static	2' x 2'	2-T8	AA224
Door Frame	Static	2' x 2'	2-T8 U 6	AA2U6

Reference Data	
Efficiency	80.9%
Spacing Ratio	1.3
Electronic Ballast	
Input Watts (120V)	85.0W
Ballast Factor	.88

Application Data*				
Luminaire Spacing	FC	VCP	W/Sq Ft	
<i>50' x 70' x 8.5' Space</i>				
8' x 8' (64 sq ft/luminaire)	94	61	1.3	
8' x 10' (80 sq ft/luminaire)	78	61	1.1	
<i>12' x 16' x 8.5' Space</i>				
6' x 8' (48 sq ft/luminaire)	90	81	1.8	
<i>8' x 8' x 8.5' Cubicle/60" Partition</i>				
8' x 8' (64 sq ft/luminaire)	54	97	1.3	

Ordering Guide				
Type	Luminaire Size	Lamp Qty/Type	Exposed T-Grid	
AA				
Flush Steel	Static	2' x 4'	3-T8	AA348
Door Frame				

Reference Data	
Efficiency	73.3%
Spacing Ratio	1.4
Electronic Ballast	
Input Watts (120V)	112.0W
Ballast Factor	.88

Application Data*				
Luminaire Spacing	FC	VCP	W/Sq Ft	
<i>50' x 70' x 8.5' Space</i>				
8' x 8' (64 sq ft/luminaire)	113	58	1.8	
8' x 10' (80 sq ft/luminaire)	94	59	1.4	
<i>12' x 16' x 8.5' Space</i>				
6' x 8' (48 sq ft/luminaire)	111	80	2.3	
<i>8' x 8' x 8.5' Cubicle/60" Partition</i>				
8' x 8' (64 sq ft/luminaire)	68	96	1.8	

Ordering Guide				
Type	Luminaire Size	Lamp Qty/Type	Exposed T-Grid	
AA				
Flush Steel	Static	2' x 4'	2-T8	AA2W8†
Door Frame	Static	2' x 4'	4-T8	AA448

† Efficiency of 78.6% with 2 T8 lamps. 82.7% efficiency with **AAS26** luminaire.

*Average Footcandles Maintained Total LLF=.75 Reflectance: 80% Ceiling, 50% Wall, 20% Floor RE835 lamp rated at 3000 lumens.