

SB NARROW SERIES

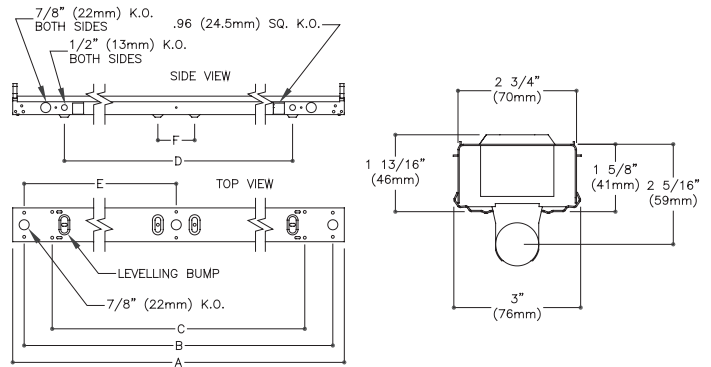
Features

- Only 2-3/4" wide
- Fully enclosed wiring
- Snap-on ballast cover
- Screwdriver slot for easy ballast cover removal
- Combination end cap for continuous row mounting
- Convenience outlet and switch K.O.s provided
- Optional hangers, wire guards and aligners

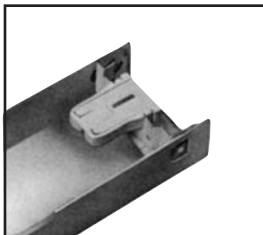


Dimensions

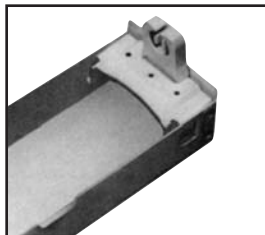
Nom.Length	A	B	C	D	E	F
96"	96" (2438mm)	93 15/16" (2386mm)	89 1/16" (2262mm)	86 15/16" (2208mm)	47" (1194)	3 3/16" (81mm)
72"	72" (1829mm)	59 15/16" (1522mm)	65 1/16" (1653mm)	62 15/16" (1599mm)	35" (889mm)	3 3/16" (81mm)
48"	48" (1219mm)	45 15/16" (1167mm)	41 1/16" (1043mm)	38 15/16" (989mm)	23" (584mm)	3 3/16" (81mm)
36"	36" (914mm)	33 15/16" (862mm)	29 1/16" (738mm)	26 15/16" (684mm)	N/A	N/A
24"	24" (610mm)	21 15/16" (557mm)	17 1/16" (433mm)	14 15/16" (379mm)	N/A	N/A
18"	18" (457mm)	15 15/16" (405mm)	13 1/2" (343mm)	8 15/16" (227mm)	N/A	N/A



Mounting Methods/Features



Flipstrip - shipping position



Flipstrip - shipping position

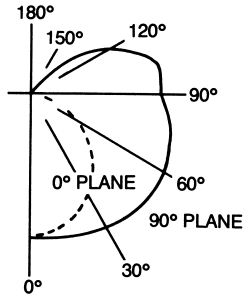
Job Information	Type:
Job Name:	
Cat. No.:	
Lamp(s):	
Volts/Ballast:	

SB NARROW SERIES

STRIP NARROW 2-3/4" WIDE X 1-5/8" DEEP 18", 24", 36", 48", 72", 96" LENGTHS 1 LAMP IN A LUMINAIRE CROSS-SECTION T8 OR T12 LAMP

PHOTOMETRY

REPORT NO: G86118
 CATALOG NO: SB148120SO
 LAMP TYPE: 2F40T12/CW
 LUMENS PER LAMP: 3150
 TOTAL EFFICIENCY: 89.5%
 CIE TYPE: Semi-Direct
 SPACING CRITERIA: 1.6
 SHIELDING ANGLE: 180



MODEL NO. SB148120LE

coefficients of utilization — zonal cavity method

	RF	20		20		20	
	RC	80		50		30	
	RW	70	50	30	50	30	10
room cavity ratio	1	89	84	79	71	68	64
	2	80	71	64	60	55	51
	3	72	62	53	46	41	47
	4	65	54	45	46	39	34
	5	59	47	39	40	34	28
	6	54	42	33	36	29	24
	7	50	37	29	32	25	21
	8	46	33	25	29	22	18
	9	43	30	22	26	20	15
	10	40	27	20	24	18	13

Ordering Information Explanation of Catalogue Number Example: SB148-120SO

SB

NARROW STRIP:
2-3/4" Wide Channel

1

NUMBER OF LAMPS IN WIDTH:
(Tandem)

48

LAMP TYPE:
18=nominal 18"
 15W T8 or 18W T12
24=nominal 24"
 17W T8 or 20W T12
36=nominal 36"
 25W T8 or 30W T12
48=nominal 48"
 32W T8
36T=nominal 72"
 25W T8 (tandem)
48T=nominal 96"
 32W T8 (tandem)

120

BALLAST TYPE:
L=Low power factor (18W & 20W T12 only)

120

VOLTAGE:
120, 277
347

SO

BALLAST TYPE:
 <20THD† <10THD†
SO* **RO**** 2 Lamp Elect. T8
O4* **R4**** 1-4 Lamp Elect. T8
PS --- LOL T8 Dimming
 * Instant Start Standard
 ** Rapid Start Standard
 † % total harmonic distortion

OPTIONS:
Add appropriate suffix to catalog no.

OPTIONS/ACCESSORIES



STEM AND CANOPY SETS

Suspends luminaire 12", 18", 24", 36", 48" from surface and can be used in conjunction with Heavy Duty Slide Grip Hanger.
 Catalogue Number:
 STKF12 (12"), STKF18 (18"),
 STKF24 (24"), STKF36 (36"),
 STKF48 (48").



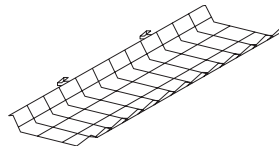
CANOPY SPACER (1-1/2")

Suspends luminaire approximately 1-1/2" from surface.
 Catalogue Number: STSK



CHAIN HANGER KIT

Two 24" heavy duty link chains with sturdy "V" hooks that grip luminaires at four knockout points for level suspension.
 Catalogue Number: EE9HC



WIRE GUARDS

Hinge and latch positive-lock construction, complete with longitudinal and transverse struts for secure protection.
 Cat. Number Luminaire
 SB8G1-24 SB124
 SB8G1-36 SB136
 SB8G1-48 SB148, SB148T (order 2)

BALLAST OPTIONS: For other ballast options, consult ballast specification sheet (folio BA-1-02)

SPECIFICATIONS

MATERIALS: Chassis parts are die-formed code gauge cold rolled steel, 1-5/8" deep, 2-5/8" channel width.

LAMP HOLDERS: Mounted to flip-up socket bridge which can be flipped up from the horizontal (shipping position) to the vertical (installation) position with 4 screws.

BALLAST COVER: Snap-on type without fasteners. Screwdriver slots are to be provided in housing for easy removal of ballast cover.

FINISH: Chassis exterior phosphate undercoating, baked white polyester enamel.

ELECTRICAL: Rapid start HPF, thermally protected class "P" ballast C.B.M. certified by E.T.L. If K.O. is within 3" of ballast, use wire suitable for at least 90°.

LABELS: Listed by CSA.

Job Information

Type:

C.F.I. FLUORESCENT A CANLYTE BRAND
 525 EDUCATION ROAD, CORNWALL, ONTARIO, CANADA K6H 6C7 - (613) 938-6221
 WE RESERVE THE RIGHT TO CHANGE DETAILS OF DESIGN, MATERIALS AND FINISH.
 © 2006 CANLYTE INC.
 A0902
 www.canlyte.com

R10-19

C.F.I. FLUORESCENT