

Features

- Floating panel of light effect
- A shallow profile and linear prismatic sides combine to reduce ceiling contrast
- Shielding hinges the entire length of the unit
- Snap-on components provide time-saving installation
- Suitable for mounting on low-density cellulose fiberboard surfaces
- Can be row mounted

Options (p. 212-216)

Ballast: Specify voltage (120, 277, UNV or 347) and add suffix, e.g. **UNVHI**.

H1: Elect. I.S., T8, 1 or 2 LPB, <10% THD

H3: Elect. I.S., T8, 3 LPB, <10% THD

H4: Elect. I.S., T8, 4 LPB, <10% THD

PS: Elect. PowerSpec HDF Dimming P.S., T8, 1 or 2 LPB, <10% THD, 347V N/A

LPB: Number of lamps per ballast

Electrical / Wiring Options: For special wiring or emergency packs, consult your Canlyte representative.

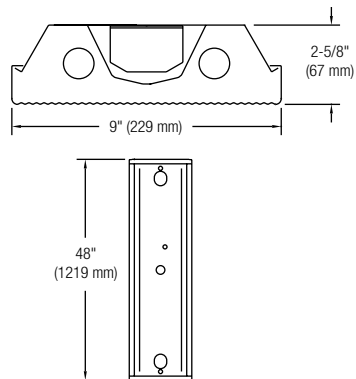
Internal Fusing: Consult your Canlyte representative.

Canopy Spacer: Suspends luminaire 1-1/2" from surface. Order catalogue number **STSK**.

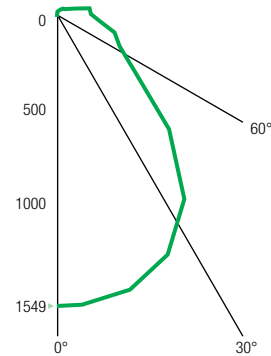
Stem and Canopy: Suspends luminaire 12", 18", 24", 36" or 48" from surface. Order catalogue number **STKF12** (12"), **STKF18** (18"), **STKF24** (24"), **STKF36** (36"), **STKF48** (48") (White finish).

Wrap 9" x 48", 14" x 48" (TX) Prismatic Surface Wrap Lens Luminaire

9" x 48"

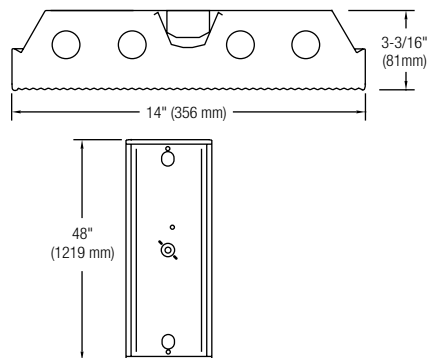


TX248-UNVHI (Data)

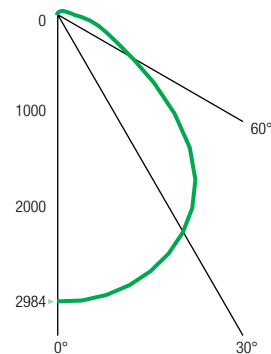


RCR	C. U.
1	79
2	70
3	62
4	56
5	50
6	45
7	41
8	37
9	33
10	30

14" x 48"

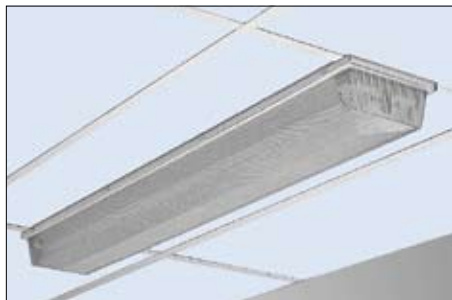


TX448-UNVH4 (Data)



RCR	C. U.
1	69
2	61
3	54
4	49
5	43
6	39
7	35
8	32
9	28
10	26

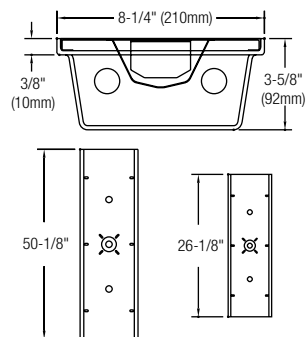
Vandal 8" x 50" (VA) Surface Vandal Resistant Wrap Lens Luminaire



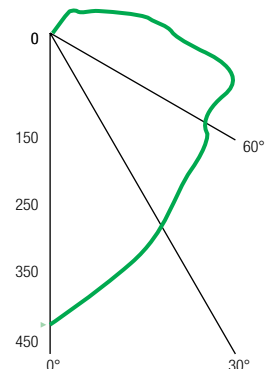
Features

- Heavy duty 16-gauge cold rolled steel housing
- Wall or ceiling mount
- Clear injection molded polycarbonate lens for toughness
- Lens secured with vandal-proof screws
- Easily removable ballast cover
- Polycarbonate lens only 3-5/8" deep, ideal for low ceilings
- 52.4% efficient
- Also available as a 2' model

8" x 50"



VA248-UNVHI (Data)



Options (p. 212-216)

Ballast: Specify voltage (120, 277, UNV or 347) and add suffix, e.g. **UNVHI**.

H1: Elect. I.S., T8, 1 or 2 lamps per ballast, <10% THD

Electrical / Wiring Options: Consult your Canlyte representative.

Emergency Lighting System: Factory installed emergency power battery pack with charger and inverter. Suffix: **O**.

Vandal base for conduit adaptor: For surface concrete installations, order cat. no. **VA-KIT**.

Reference Data		Application Data*		
Efficiency	76.0%	Luminaire Spacing	FC	W/Sq Ft
Spacing Ratio	1.3			
Electronic Ballast		<i>50' x 70' x 8.5' Space</i>		
Input Watts (120V)	62.0W	8' x 8' (64 sq ft/luminaire)	49	0.9
Ballast Factor	.88	<i>30' x 30' x 8.5' Space</i>		
		8' x 8' (64 sq ft/luminaire)	48	0.9
		<i>12' x 16' x 8.5' Space</i>		
		6' x 8' (48 sq ft/luminaire)	54	1.3

Ordering Guide			
Type	Lamp Qty/Type	Lamp/Luminaire Nominal Length	Catalogue Number
Prismatic Lens Luminaire	2-T8	48"	TX248

TX248	UNV	HI	
Basic Catalogue Number: Premium Wrap Low profile	Voltage: 120: 120V 277: 277V UNV: 120-277V 347: 347V	Ballast: See p. 118	Options: See p. 118 Add appropriate suffix to catalogue number

Reference Data		Application Data*		
Efficiency	65.5%	Luminaire Spacing	FC	W/Sq Ft
Spacing Ratio	1.3			
Electronic Ballast		<i>50' x 70' x 8.5' Space</i>		
Input Watts (120V)	112.0W	8' x 10' (80 sq ft/luminaire)	83	1.4
Ballast Factor	.88	<i>30' x 30' x 8.5' Space</i>		
		8' x 10' (80 sq ft/luminaire)	77	1.4
		<i>12' x 16' x 8.5' Space</i>		
		8' x 8' (64 sq ft/luminaire)	90	1.8

Ordering Guide			
Type	Lamp Qty/Type	Lamp/Luminaire Nominal Length	Catalogue Number
Prismatic Lens Luminaire	2-T8 4-T8	48" 48"	TX2W8 TX448

TX448	UNV	H4	
Basic Catalogue Number	Voltage	Ballast	Options

Ordering Guide			
Type	Luminaire Length	Luminaire Size	Catalogue Number
Vandalism Wall / Surface Static	1-T8 2-T8 2-T8	8" x 50" 8" x 50" 8" x 26"	VA148 VA248 VA224

VA248	UNV	HI	
Basic Catalogue Number: Vandal Luminaire	Voltage: 120: 120V 277: 277V UNV: 120-277V 347: 347V	Ballast: See p. 118	Options: See p. 118 Add appropriate suffix to catalogue number

*Average Footcandles Maintained Total LLF=.75 Reflectance: 80% Ceiling, 50% Wall, 20% Floor RE835 lamp rated at 3000 lumens.