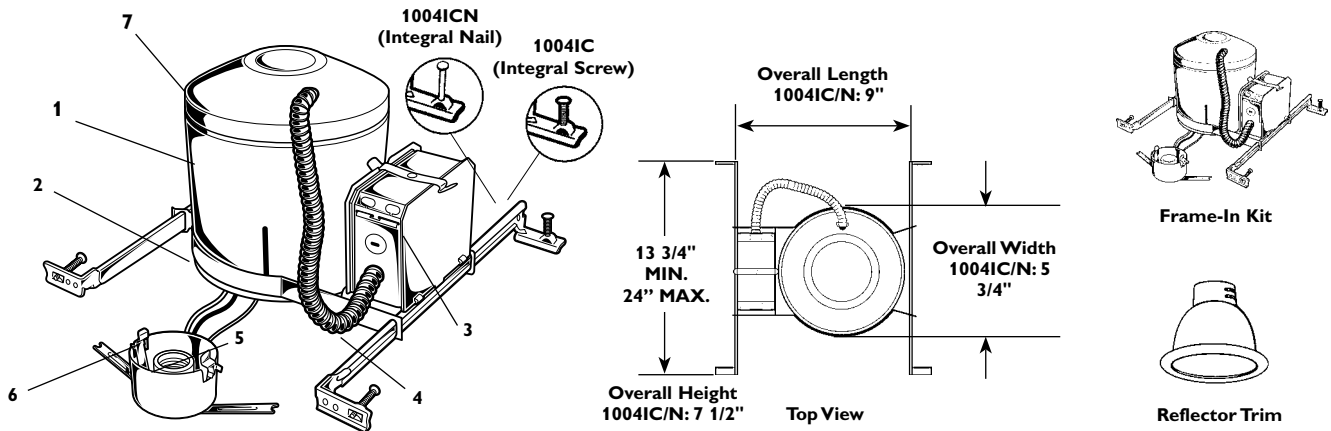


## 5" Aperture, Lytning, Incandescent, Convertible IC/Non-IC, Frame-In Kit

Project:	Catalog No:	Mfg:
Location:	Fixture Type:	Qty:
Notes:		Lamps:



**5" Aperture: Complete Fixture consists of Reflector Trim & Frame-In Kit. Select each separately.**

Frame-In Kit	Description	Open Downlight						Adjustable	Enclosed Diffusers	Open Wet Location	Wall Washer
		Anodized Reflector	Anodized Cone		Satin Cone	Baffles	Basic White				
<b>1004IC</b>	FIK	1045	1012	1012NM	1008	1005	1071	1022	1021*	1081CD	1085*
<b>1004ICN</b>	FIK with Nails	1046	1013	1013NM	1008NM	1005NM		1022WH	1024*	1081WH	
<b>1004ICQ**</b>	FIK with Quick Connect	1046CD	1013BK	1013BKNM	1010	1005WH		1082	1177LX		
<b>1004ICNQ**</b>	FIK with Quick Connect		1013CD	1013CDNM	1010NM	1005BNM		1088	1178LX		
			1013WH			1076		1088GW	1090*		
						1076WH		1088WH			

\* For Non-IC applications only.  
 \*\* Supplied with integral push-in wire connectors

### Features

- Housing:** .032 (#20 ga.) aluminum. UL listed convertible IC/NON-IC. 2" vertical adjustment in ceiling. Can be removed for access to junction box and ceiling plenum. AirSeal® housing minimizes air leakage to less than 2 CFM at 1.57 PSF (or 75pa), which complies with Model Energy Code (Section 602.3.3) and Washington State Energy Code (Section 502.4) and reduces heat loss and condensation in ceiling.
- Mounting Frame:** .048 (#18 ga.) galvanized steel. Locks into position along length of mounting bars with locking spring and bendable slot. (3) slots 90° apart simplify alignment.
- Junction Box:** 2" X 4" X 3 1/2" (22 cu. in.) .032 (#22 ga.) galvanized steel. UL listed. AC only, min 90° supply conductors suitable for branch circuit wiring supplying connected luminaires. AC only, min 90° supply conductors suitable for branch circuit wiring supplying connected luminaires. Cable clamp permits attachment of non-metallic (#12 or #14 ga.) Romex® cable without tools or additional connectors.
- Mounting Bars:** .059 (#16 ga.) galvanized steel. Bars pivot for easy attachment and wire-in below ceiling line. Bars extend to accommodate 16" to 24" O.C. joist spacing. The 1004IC features integral self-tapping philips screws for secure attachment to wood or metal construction. The 1004ICN features integral nails for secure attachment to wood. Both attach to T-bar ceilings without the need of accessories.
- Socket Housing:** Impact extruded aluminum or galvanized steel. Attached trim retaining spring secures trim to any height on housing wall.
- Socket:** Porcelain medium base: nickel plated screw shell. Pre-wired with #18 ga. SF1 (300 VOLT 200° C) leads to junction box.
- Thermal Protector:** Meets NEC and UL requirements. Located inside housing.

### Options & Accessories

- AirSeal Kit: LAS56**  
NOTE: Use only if factory installed tape or knockouts are removed from vertical adjustment slots in housing wall.
- LED Retrofit Kit: LARFA**  
Allows use of 1076L and 1013L series LED Trims. See LARFA specification sheet for compatibility list.
- Labels**  
UL (Type IC/NON-IC Convertible; Suitable for Damp Locations)  
Complies with Air Leakage Requirements stated in the Model Energy Code and the Washington State Energy Code.

AirSeal is a registered trademark of Lightolier.  
 Romex is a registered trademark of General Cable Industries Inc.