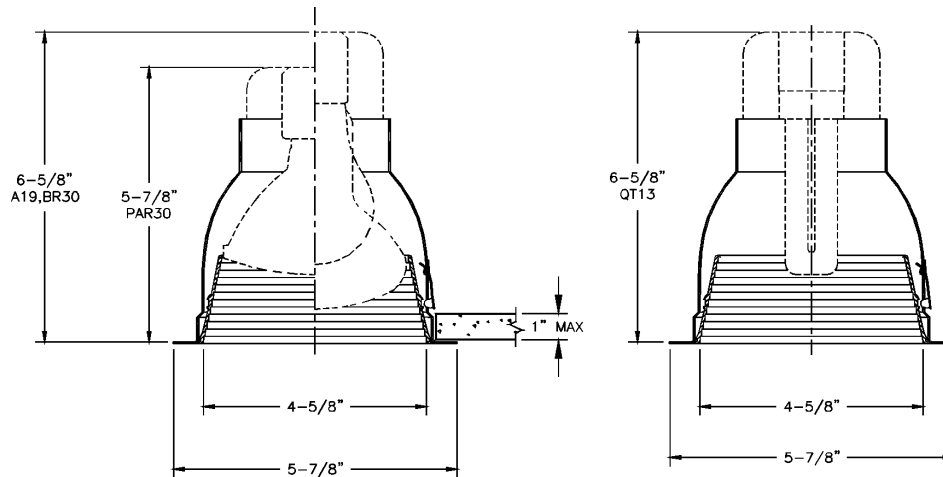




5 1/4" Aperture
Premium Die-Cast Step Baffle

Lytecaster
Recessed Downlight

1005



Ceiling Opening : 5 1/4"

Complete fixture consists of Reflector Trim & Frame-in Kit. Select each separately

| REFLECTOR TRIM | INCANDESCENT F.I.K. | | | COMPACT FLUORESCENT F.I.K. | |
|--|--|--|---|--|--|
| | NON-IC | IC | IC AIRSEAL | NON-IC | IC |
| 1005 Black Baffle 1005WH White Baffle | 1002 75W PAR-30 85W BR-30 100W A-19 | 1002IC 75W PAR-30 75W BR-30 40W A-19 | 1004IC-CDN 50W PAR-30 60W BR-30 | 1002F1 (120V) 1 x 13W QT 1002FH1 (120V) 2 Pin (GX23-2) 1002FH3 (347V) | 1002FH1IC (120V) 1 x 13W QT 2 Pin (GX23-2) |
| | REMODELER 1003RS-CDN 75W PAR-30 85W BR-30 100W A-19 | | REMODELER 1004ICRS-CDN 50W PAR-30 60W BR-30 | | |

Features

Reflector : Hydroformed aluminum, .032" thick ; Anobrite (anodic-processed) semi-specular finish for permanent reflectivity; white trim flange.

Step Baffle : Die-cast aluminum with stepped conical surface for low brightness, black or white finish.

Frame-In-Kit

Note : For complete Frame-In-Kit specifications, see sheet **1102** , **1102IC** , **1103R** , **1104IC** , **1104ICR** , **1102F** and **1102FIC**

Accessories

Retaining clips : **1955** (set of 100) For installation in existing ceilings. For all trims except white and Alzak reflectors.

Extra Wide Flange Trim Ring : **1957** ; For most 1000 series Reflector Trim. O.D. 7".

Labels : **CSA**

Suitable for damp locations.

LIGHTOLIER®

WE RESERVE THE RIGHT TO CHANGE DETAILS OF DESIGN, MATERIALS AND FINISH, IN ANY WAY THAT WILL NOT ALTER INSTALLED APPEARANCE OR REDUCE FUNCTION AND PERFORMANCE.

Lightolier CFI, 3015 Louis Amos Lachine, (Quebec) H8T 1C4