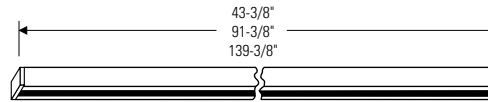
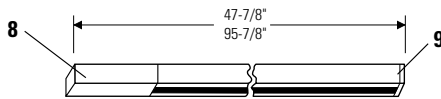


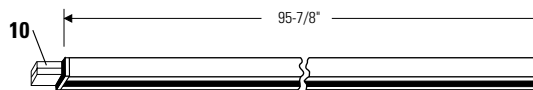
6060WH	6101BK	6108WH	6151BK	7480
6060BK	6102WH	6108BK	6152WH	7481
6061WH	6102BK	6112WH	6152BK	7582
6061BK	6103WH	6112BK	6153WH	7584
6090	6103BK	6150WH	6153BK	7586
6096WH	6104WH	6150BK	6154WH	
6101WH	6104BK	6151WH	6154BK	



Plain Track



Individual Track



Joiner Track



Individual Track

Joiner Track

Joiner Track

Catalog No.

Finishes	Individual Track		Joiner Track	Plain Track		
	4'	8'	8'	4'	8'	12'
Matte White	6101WH	6102WH	6103WH	6104WH	6108WH	6112WH
Matte Black	6101BK	6102BK	6103BK	6104BK	6108BK	6112BK
Raw Aluminum	6101RA	6102RA	6103RA	6104RA	6108RA	6112RA

Features

- 1. Advent Lytespan Track:** 6063-T5 Aluminum 0.070" wall thickness.
- 2. Track Mounting Clips:** 0.024 Spring steel, in black or white; furnished with track units.
- 3. Toggle Bolt & Screws:** furnished with track units.
- 4. Conductor (3):** 20A current carrying capacity.
- 5. Insulating Liner:** 0.040" wall, thermoplastic.
- 6. Neutral Conductor:** on bead side of track.
- 7. Polarity Bead:** identifies the neutral conductor.
- 8. Live End:** molded thermoplastic. Includes contacts for power supply leads.
- 9. Dead End Cover:** molded thermoplastic.
- 10. Mini Coupler:** connects track units mechanically and electrically.

Mechanical

Track units plug together and lock securely to prevent accidental separation. Track units can be field cut.

Finish

All painted finishes are baked enamel.

Mounting

Track may be surface mounted to ceilings or walls. The track may be stem mounted. The track is not intended to be cable mounted. The track can also be recessed, see Specification Sheet 7515.

Electrical

Two circuits individually controllable, rated 20 amps. at 120 volts 60 Hz per track circuit (40 amps total for the two circuits), when supplied by a 120/240 volt, 60-Hz, single phase 3-wire branch circuit with a grounded neutral. The track is polarized and continuously grounded throughout. Electrical conductors are concealed in a insulating liner. Lytespan lighting units attach to the track at any

point and can be adjusted to operate on either track circuit. Not intended for use with a power cord or a convenience receptacle adapter. Magnetic and electronic transformers require different dimmer controls. Use the proper control device on the track. Caution should be used when operating dimming controls on 3 wire circuiting (the neutral conductor may overload). For additional information on dimming, call 1-800-833-3664. All wiring must be in accordance with National and Local Codes.

Labels

UL, I.B.E.W.

U.S. Patent Nos. 4,096,349; Other Patent Pending

Job Information	Type:
Job Name:	
Cat. No.:	
Lamp(s):	
Notes:	

Lightolier a Genlyte company www.lightolier.com
 631 Airport Road, Fall River, MA 02720 • (508) 679-8131 • Fax (508) 674-4710
 We reserve the right to change details of design, materials and finish.
 © 2005 Genlyte Group LLC • B1205

LIGHTOLIER®

Track Mounting and Power Feed Systems

Track Mounting Clips

Furnished with track: 2 clips per 2' and 4' track, 3 clips per 8' and 12' track units. Attaches to track at any point. Clip is nylon coated. White clip supplied with white track, black clip with black track. Spaces track 1/16" from ceiling.

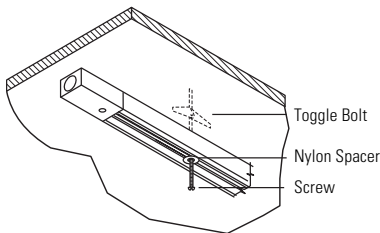
Not recommended for wall mounting.

- 56451WH** Matte White
- 56451BK** Matte Black



Direct Mounting

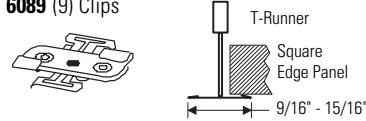
Toggle bolts and nylon insulators are furnished with Track, two per 2' and 4' track, three per 8' and 12' track. Mount through existing holes in track. Top of track sits flush to mounting surface. *Recommended for wall and ceiling mounting.*



Grid Ceiling Mounting Clips

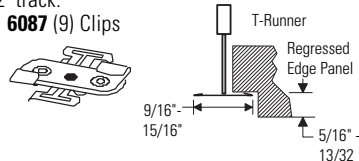
Square Edge Panels and 9/16" - 15/16" T-Bars Clip is supplied assembled. Mounts onto T-Bars by rotating clips. Use two per 2' and 4' track, three per 8', and four per 12' track.

6089 (9) Clips



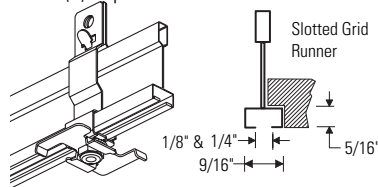
Regressed Edge Panels and 9/16" - 15/16" T-Bar Clip is supplied assembled. Mounts easily onto T-Bars by rotating clips. Use two per 2' and 4' track, three per 8', and four per 12' track.

6087 (9) Clips



Slotted Grid Ceilings such as Donn Fineline and Chicago Metallic Ultraline 3500 and 3600. Use two per 2' and 4' track, three per 8', and four per 12' track.

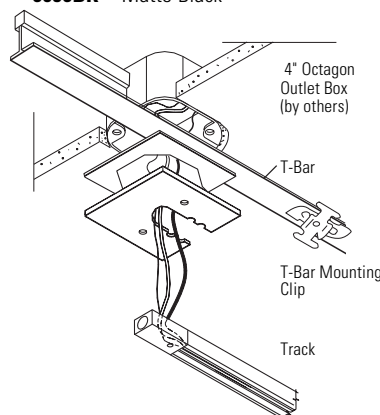
6088 (9) Clips



Grid Ceiling Canopy Kit

Mounts to a 4" or 3" octagonal outlet box. Use two per 2' or 4' track, three per 8" and 12' track. When making a run of track don't exceed 4' between stems. Includes a special outlet box to fit onto runners. Power can be fed to Feed Track, Live End, "L", "T", "X", and In-Line connectors. Mounts along runner or at the intersection of runners.

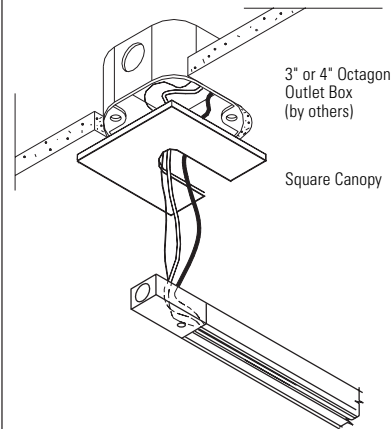
- 6096WH** Matte White
- 6096BK** Matte Black



End Feed Canopy Kit

Mounts directly Live End, 'L', 'T', 'X', In-Line and Variable Angle Connectors. Mounts to a 4" or 3" octagonal outlet box. For track installed with mounting clips or direct mounted. Canopy is 3/32" thick and 4-1/2" square.

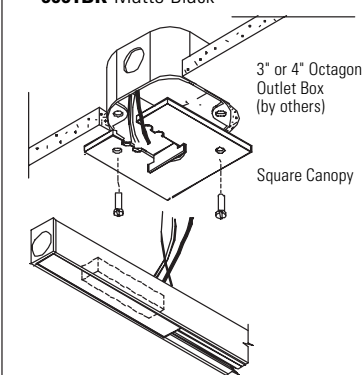
- 6060WH** Matte White
- 6060BK** Matte Black



Floating Canopy Kit

Mounts to a 4" or 3" octagonal outlet box. Canopy is positioned anywhere along track, up to 4' from edge of track extrusion. Power can be fed to Live End, 'L', 'T', 'X', In-Line and Variable Angle Connectors. Mount track using track mounting clips. Canopy is 3/32" thick and 4-1/2" square.

- 6061WH** Matte White
- 6061BK** Matte Black



Job Information

Type:

Lightolier a Genlyte company www.lightolier.com
 631 Airport Road, Fall River, MA 02720 • (508) 679-8131 • Fax (508) 674-4710
 We reserve the right to change details of design, materials and finish.
 © 2005 Genlyte Group LLC • B1205

Track Mounting and Power Feed Systems

Stem Mounting Kits

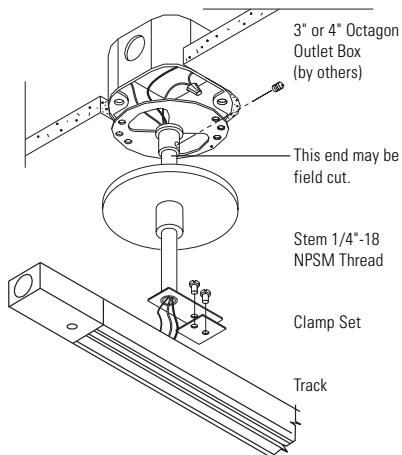
Mounts to a 4" or 3" octagon outlet box. Use two per 2' and 4' track, three per 8' and 12' track. When making a run of track do not exceed 4' between stems. Use additional stems for additional support. Power is fed to the track with the stem closest to the track feed-in point. For power feed to Feed Track and Live End, "L", "T", "X", In-line, and Variable Angle Connectors. Stem can be field cut.

Not recommended for wall mounting.

Stem mounts to track 18" Stem 48" Stem
not feed connector.

Actual length from ceiling to top of track:

17 3/8"	47 3/8"
Matte White	7584 7586
Matte Black	7683 7681



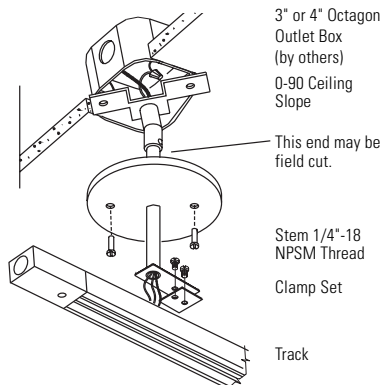
Swivel Stem Mounting Kits

Adjusts from 0 to 90. Mounts to a 4" or 3" octagon outlet box. Use two per 2' and 4' track, three per 8' and 12' track. When making a run of track do not exceed 4' between stems. Use additional stems for additional support. Power is fed to the track with the stem closest to the track feed-in point. For power feed to Feed Track and Live End, "L", "T", "X", In-line, and Variable Angle Connectors. Can be field cut. 48" stem.

Not recommended for wall mounting.

Stem mounts to track not feed connector.

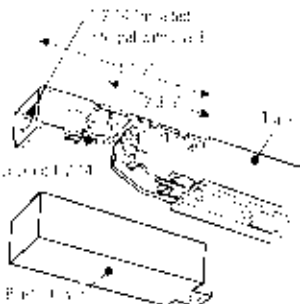
7480 Matte White
7481 Matte Black



Live End

Energizes Track from the beginning of a run. It is included with Individual Track Units. Use with plain track units.

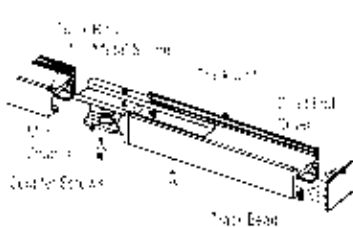
6148WH Matte White 6148BK Matte Black



Mini-Coupler

Used to connect two pieces of track together mechanically and electrically. Power cannot be fed to the Mini-Coupler. It is included with Joiner Track Units.

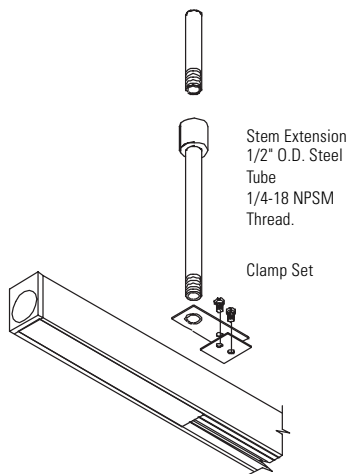
6149WH Matte White 6149BK Matte Black



Stem Extension Kit

Mounts to any stem kit to extend its length by 48". Cannot be field cut.

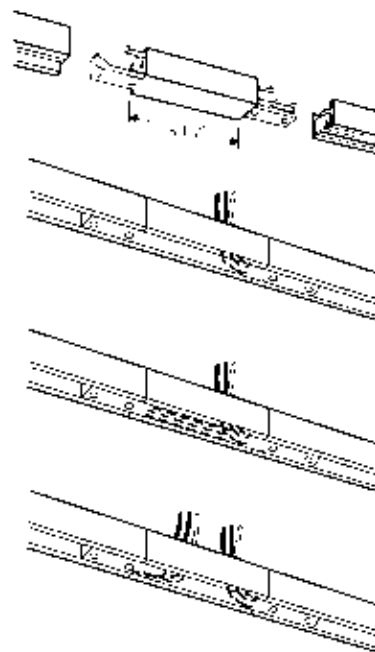
7582 Matte White
7680 Matte Black



In-Line Connector

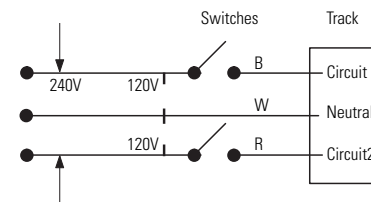
Permits power feed between track units in a straight run of track. The In-Line Connector is polarized and pre-wired. KO permits direct feed with electrical connector.

6154WH Matte White
6154BK Matte Black

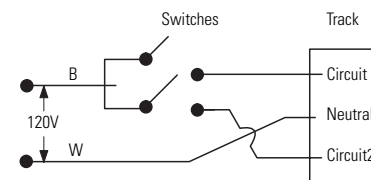


Wiring Diagram

(3) wire two circuit 120/240, 60Hz single phase with grounded neutral. Maximum load. 2400W (incand.) 20 amp per track circuit, 4800W 40 amps total.



120V 60Hz single branch circuit, 20 amp supply. Maximum load, 2400W (incand.) distributed between track circuits.



Job Information

Type:

Lightolier a Genlyte company

www.lightolier.com

631 Airport Road, Fall River, MA 02720 • (508) 679-8131 • Fax (508) 674-4710

We reserve the right to change details of design, materials and finish.

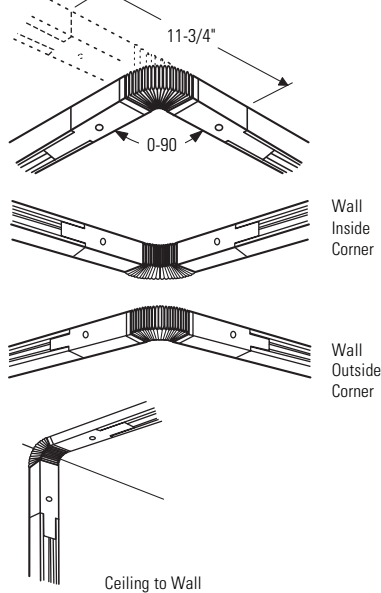
© 2005 Genlyte Group LLC • B1205

Track Mounting, Power Feed Systems and Mounting Patterns

Variable Angle Connector

The Variable Angle Connector is pre-wired and polarized. It contains a nut with a thread 1/2"-14 to accept a 3/8" (trade sized) electrical connector. Flexes in all directions.

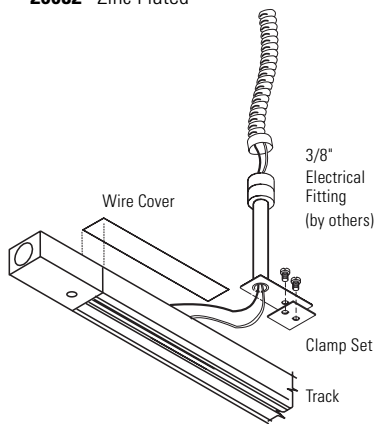
- 6153WH** Matte White
- 6153BK** Matte Black



Floating Invisible Feed

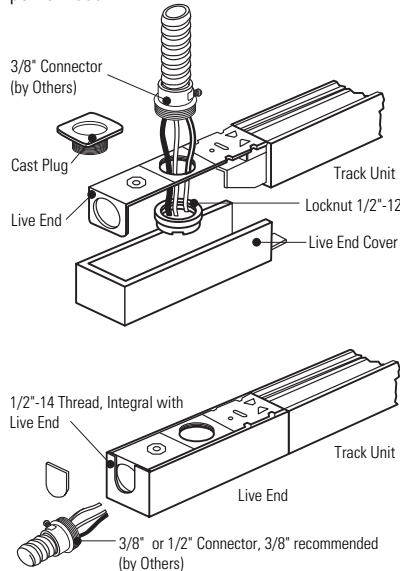
Can be mounted anywhere along the track at a maximum distance of 4' from edge of track extrusion. Accepts conduit or cable with 3/8" or 1/2" electrical connector (by others). Can be used with Live End, "L", "T", "X", and In-Line and Variable Angle connectors. Use Track Mounting Clips to mount the track.

- 26082** Zinc Plated



Direct Feed into Connectors

The Live End, "L", "T", "X", In-line, and Variable Angle Connectors contain a nut with a 1/2"-14 thread to accept a 3/8" or 1/2" (trade size) electrical connector, 3/8" connector recommended. Does not require a separate power feed kit.

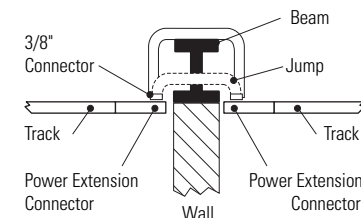


Power Extension Connector

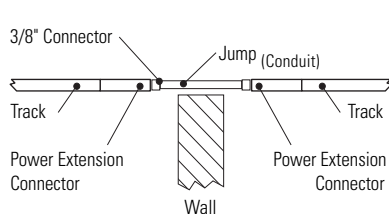
Replaces Dead End Cover at end of track to permit power continuity around structural obstacles to another track section. Accepts same power feed-in kits as Live End.

- 6146WH** Matte White
- 6146BK** Matte Black

Over Beam or Through Beam



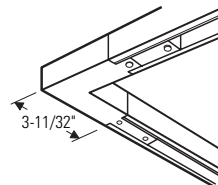
Through Wall or Column



"L" Connector

The "L" connector is polarized and pre-wired. It may be rotated for right angle or left angle turn. KO permits direct feed with electrical connector.

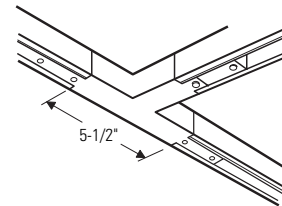
- 6150WH** Matte White
- 6150BK** Matte Black



"T" Connector

The "T" connector is not pre-wired or polarized. Used to make "T" pattern with track. 12 ga. copper jumper wires supplied to make all necessary connections. KO permits direct feed with electrical connector.

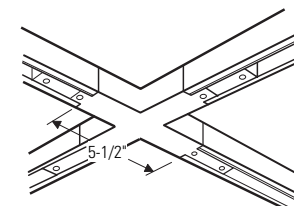
- 6151WH** Matte White
- 6151BK** Matte Black



"X" Connector

The "X" connector is not pre-wired or polarized. Used to make "X" pattern with track. 12ga. copper jumper wires supplied to make all necessary connections. KO permits direct feed with electrical connector.

- 6152WH** Matte White
- 6152BK** Matte Black



Job Information Type:

Lightolier a Genlyte company www.lightolier.com
 631 Airport Road, Fall River, MA 02720 • (508) 679-8131 • Fax (508) 674-4710
 We reserve the right to change details of design, materials and finish.
 © 2005 Genlyte Group LLC • B1205

LIGHTOLIER®