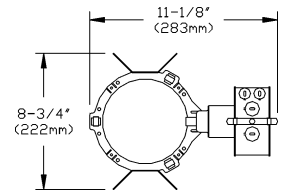
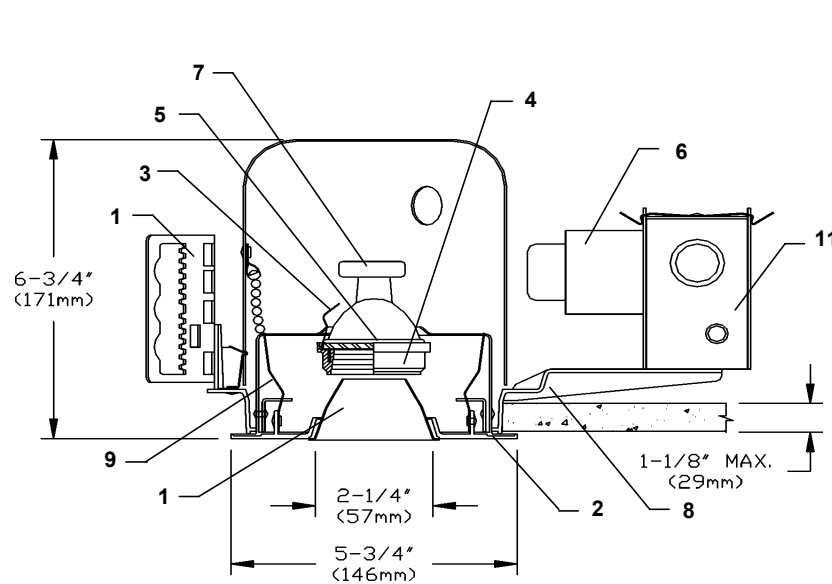


7027D

2-1/4" Aperture
Pinhole Downlight
MR-16 Lamp

Calcilite
Incandescent
Recessed Downlight



Ceiling Cutout : 5-1/16" (128 mm)

Complete fixture consists of Reflector Trim & Frame-in Kit. Select each separately

REFLECTOR TRIM

TRM7027DA0	Specular Clear Alzak
TRM7027DA1	Specular Gold Alzak
TRM7027DA2	Specular Black Alzak

FRAME-IN-KIT

FRM7040
FRM7040
FRM7040

LAMP (12V) Max.

75W MR16
75W MR16
75W MR16

Features

- Cone:** Aluminum polished anodized.
- Face plate:** Die-cast aluminum ; remove for relamping ; white finish.
- Lampholder assembly:** Spring tension clips allow fast snap- in snap-out relamping ; Black finish.
- Lampholder housing:** Die-cast aluminum. black finish.
- Lamp guard:** Heat resistant glass, as required by C.S.A.
- Transformer:** Magnetic, 120 volt primary, nominal 12 volt secondary, class "H". Removable from below.
- Socket:** Two-pin socket. Pre-wired with #18ga. Teflon 250° leads to junction box.
- Mounting Frame:** Die-cast aluminum suitable for dry or plaster ceilings.
- Retaining Springs:** Rust resistant springs simplify reflector/housing removal for inspection and maintenance.
- Mounting Brackets:** 16 ga. steel. Use 18" (457 mm) mounting bars (optional) or with standard 3/4" (19 mm), 1-1/2" (38 mm) lathing channels (by others) or 1/2" (13 mm) tubing (by others). Adjust vertically from inside of fixture.
- Junction Box:** 14 ga. steel, 4" (102 mm) x 3-1/2" (89 mm x 2" (51 mm) box, allows inspection from below. CSA certified for through branch circuit wiring with maximum of 8 no. 12, 90° C conductors.

Dimming

Dimming controls: use only dimmers specifically designed for use with transformers, like Lightolier Onset, Sunrise series LV or VA dimmers, or any Lightolier Controls dimming system. Low voltage fixtures may produce audible noise. Attention should be given for noise sensitive applications.

Accessories

Mounting bars: 1950 (set of 2) 18" (457 mm) long. **1951** (set of 2) 30" (762 mm) long.

T-Bar Anchor Clips : 1956 (set of 4) For anchoring mounting bars to T-Bar runners.

Prismatic Spread Lens, Beam Elongator and Color Filters: see specification sheets AF2 series.

Labels : CSA

Suitable for damp location.

2-1/4" Aperture
Pinhole Downlight
MR-16 Lamp

Calculite
Incandescent
Recessed Downlight

7027D

MR-16 Lamps	EZY 42W MR-16 VNSP				EYS 42W MR-16 SP				EYP 42W MR-16 FL				EXT 50W MR-16 NSP				EXZ 50W MR-16 NFL			
	D	FC	L	W	D	FC	L	W	D	FC	L	W	D	FC	L	W	D	FC	L	W
FOOTCANDLES (On Beam Center at 6')	333				78				28				254				83			
BEAM SPREAD (to 50% Max. CP)	7"x9°				20°				36°				11"x13°				22"x27°			
MAX. CANDLEPOWER (Candelas)	12,000				2,800				991				9,150				3,000			
RATED LIFE (Hours)	3,000				2,500				2,500				3,000				3,000			
COLOR TEMPERATURE	3,000°K				3,000°K				3,050°K				3,025°K				3,025°K			
0° AIMING ANGLE Illumination on Horizontal Plane	8'	188	1.0'	1.3'	4'	175	1.4'	1.4'	3'	110	1.9'	1.9'	7'	187	1.3'	1.6'	6'	83	2.3'	2.9'
	12'	83	1.5'	1.9'	6'	78	2.1'	2.1'	5'	40	3.2'	3.2'	10'	92	1.9'	2.3'	8'	47	3.1'	3.8'
	16'	47	2.0'	2.5'	8'	44	2.8'	2.8'	7'	20	4.5'	4.5'	13'	54	2.5'	3.0'	10'	30	3.9'	4.8'
	20'	30	2.5'	3.1'	10'	28	3.5'	3.5'	9'	12	5.8'	5.8'	16'	35	3.1'	3.6'	12'	21	4.7'	5.8'

LIGHTOLIER®