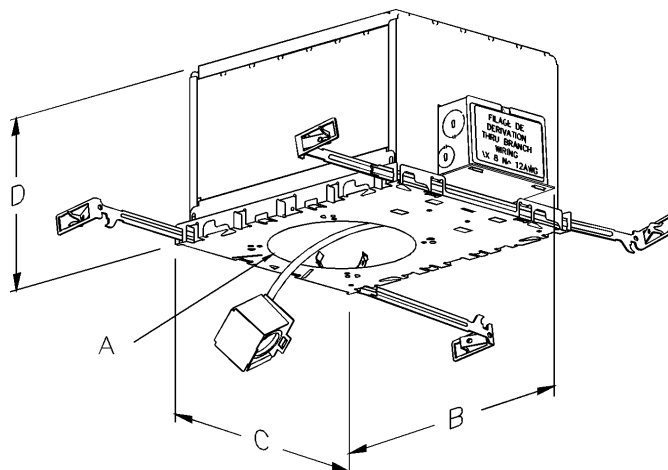


3 3/4", 5 1/4" and 6 3/4" Apertures  
Incandescent  
Elyte IC Frame-In-Kit

Lytecaster  
Recessed Downlight

R711



Complete fixture consists of Reflector Trim & Frame-in Kit. Select each separately

CADRE DE MONTAGE	CUT-OUT A	B	C	D
R511-4	3 3/4"	13 1/4"	9 1/8"	7 1/2"
R611-4	5 1/4"	13 1/4"	9 1/8"	7 1/2"
R711-4	6 3/4"	13 1/4"	9 1/8"	7 1/2"

-4 : Carton of 4

REFLECTOR TRIM (see Reflector Trim specification sheets)
Accepts 2076 Trims
Accepts R620,1071,1075,1076,1078 and 1082 Trims
Accepts Elyte R720,1171,1175,1176,1178,1179 and 1182 Trims

#### Features

**Mounting Frame** : .036" galvanized steel. Accommodates all ceilings up to 1" thick. Four slots are positioned 90° apart to simplify alignment.

**Insulated ceiling Housing** : .018" galvanized steel. CSA certified for direct contact with thermal insulation. Internal thermal cut-out insures against overheating due to incorrect lamping.

**Rotoclips** : Easy reflector trim installation. Push-in / twist-out Rotoclips hold reflector flush to ceiling.

**Mounting Bars** : (4) 18 ga. galvanized steel. 13" long bars extend to 27" , rotatable and lockable, integral t-bar tabs. Spike detail eliminates the need of additional nailing. Attaches to wood joist or T-bar without need of accessories.

**Snap-on Socket Cup** : .030" galvanized steel. Easy snap-on to reflector Trim. Acts as a temporary work light during construction.

**Socket** : Porcelain medium base; nickel plated screw shell. Pre-wired with #18 ga. SEW leads to junction box.

**Junction Box** : 4"x 3"x 2" 18 ga. galvanized steel . CSA certified for maximum of 8 No. 12 ga. 90° C through branch circuit conductors. Pry-out knock-outs accept BX cable or Loomex wires. Easy access from both sides with snap-on covers.

#### Accessories

**Mounting Bars Extenders** : 1964  
20" long (set of 2)

**Mounting Bar Locking Clips** : 0098  
To lock mounting bars in place after installation. Set of 12.

**Step Down Transformer**  
7997VA100 : Step Down from 347V to 120V : 100W Max.

**Vapor Barrier Extender** : VBE  
Polyvinyl Air Vapour Barrier ; to comply with provincial legislation. For all non Air-Seal frame-In-Kits.

#### Labels : CSA

Damp or Wet location rated depending on Trim used.

WE RESERVE THE RIGHT TO CHANGE DETAILS OF DESIGN, MATERIALS AND FINISH, IN ANY WAY THAT WILL NOT ALTER INSTALLED APPEARANCE OR REDUCE FUNCTION AND PERFORMANCE.

Lightolier CFI, 3015 Louis Amos Lachine, (Quebec) H8T 1C4

LIGHTOLIER®