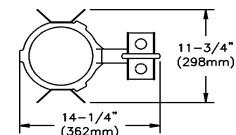
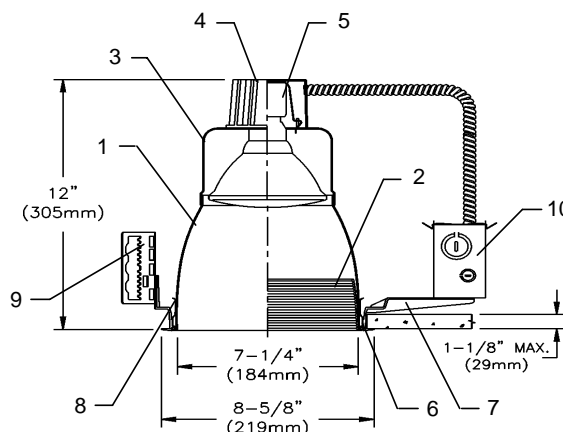


Open Reflector

Ceiling Opening : 8" (203mm)



For complete fixture order: Trim Kit + Frame-In Kit. Sold Separately.

Reflector Trim	Frame-in Kit	Lamp
TRM7709 BK Specular Black Alzak CLP Specular Clear Alzak / Polished Integral Flange CLW Specular Clear Alzak / White Integral Flange CCDP Comfort Clear Diffuse / Polished Self Flange CCDW Comfort Clear Diffuse / White Integral Flange GDP Gold Alzak / Polished Integral Flange GDW Gold Alzak / White Integral Flange MG Multigroove Black Baffle MGWH White Multigroove / White Molded Trim Ring	FRM7002	250W PAR38

Features

- 1. Reflector:** Specular Alzak® Aluminum, 45° visual cut-off.
- 2. Multi-Groove Baffle:** One piece, seamless aluminum. Sharply detailed, concentric rings. Black finish. Permanently fastened to specular clear reflector
- 3. Housing:** Aluminum, 16ga. with vent holes. specular clear reflector.
- 4. Lampholder Housing:** Die-cast aluminum. Designed for effective heat dissipation.
- 5. Socket:** Porcelain, medium base. Nickel plated screw shell. 18 ga. SEW leads.
- 6. Molded Trim Ring:** Provides minimum width flanged trim in dry ceilings; white.
- 7. Mounting Frame:** Die-cast aluminum. Suitable for dry or plaster ceilings.
- 8. Retaining Springs:** Rust resistant springs simplify reflector/housing removal for inspection and maintenance.
- 9. Mounting Brackets:** 16 ga. steel. Use 18" (457 mm) mounting bars (optional) or with standard 3/4" (19 mm), 1-1/2" (38 mm) lathing channels (by others) or 1/2" (13 mm) tubing (by others). Adjust vertically from inside of fixture.
- 10. Junction Box:** 14ga. steel, 4" (102mm) x 3-1/2" (89mm) x 2" (51mm) (a) Center-to-center of adjacent luminaires: 914mm circuit wiring with maximum of 8 no. 12, 90° C conductors.

Accessories

- Mounting bars: 1950** (set of 2) 18" (457 mm) long. 1951 (set of 2) 30" (762 mm) long.
- T-Bar Anchor Clips: 1956** (set of 4) For anchoring mounting bars to T-Bar runners.
- Sloped Ceiling Adapter: 7926.** See specification sheet No. 7920

Markings

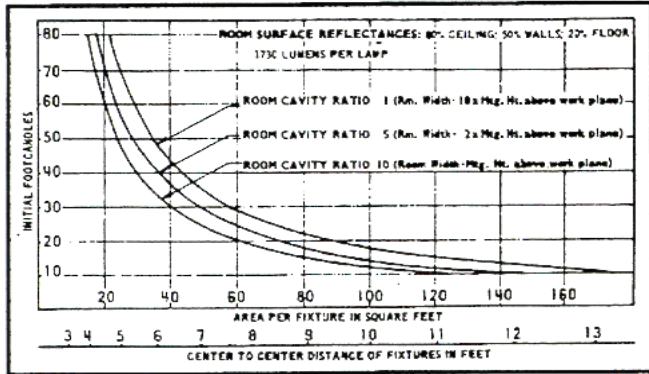
CSA Certified, suitable for damp locations.

Job Information

Type:

Job Name:
Cat. No.:
Lamp(s):
Notes:

7709 A0 (CLEAR ALZAK 150W PAR-38)



Conversion factors: 150W PAR-38 (Gold): F.C. x 1.0; (Black Alzak and Multigroove): F.C. x 0.9; 250W PAR-38 (Clear and Gold): F.C. x 1.8; (Black Alzak and Multigroove): F.C. x 1.6.

SPACING RATIO = 0.7

REPORT
Electrical Testing Laboratories, Inc.
7 EAST 4TH AVENUE NEW YORK 21, N. Y.
Report No. 392016 Order No. 63219-L Plate No. 72404

CANDLEPOWER DISTRIBUTION
NOMINAL LUMINOUS INTENSITY
TYPE - DISKET

Designed by Lightolier

Lamp - 150 Watts; 1730 Lumens; PAR38 Reflector
Fitted Lamp; Medium Base
Ht. - Recessed Incandescent
downlight with open reflector
4 inch dia. lamp, reflector diam.
9.81.

WTS. No. 14111

LUMINAIRE DISTRIBUTION DATA					
CLEAN VERTICAL					
Beam Angle	Beam Diameter	Beam Area	Beam Intensity	Beam Illuminance	Beam Footcandle
15°	4.0	12.6	137	10.9	10.9
30°	8.0	50.3	34.4	2.7	2.7
45°	12.0	113.1	15.3	1.2	1.2
60°	16.0	201.1	8.6	0.7	0.7
75°	20.0	314.2	5.5	0.4	0.4
90°	24.0	452.2	3.8	0.3	0.3
105°	28.0	614.2	2.8	0.2	0.2
120°	32.0	800.2	2.1	0.2	0.2
135°	36.0	1010.2	1.7	0.1	0.1
150°	40.0	1244.2	1.4	0.1	0.1

REPORT APPROVED BY: *P. R. Smeiter* (Signature)
October 14, 1964

I.C.S. Report No. 030904. These coefficients were computed by the Zonal-Cavity Method, I.E.S. Recommended Practice, and prepared from the candlepower distribution data given in Electrical Testing Laboratories Report No. 392016, Plate No. 72404, dated 10/16/64, and are based on a 20% Floor Cavity Reflectance.

Room Cavity Ratio	Ceiling Cavity Reflectance															
	80			70			50			30			10	0		
	30	30	10	30	30	10	30	30	10	30	30	10	30	30	10	0
1	1.02	1.01	.99	1.00	.99	.98	.97	.96	.95	.93	.93	.92	.90	.90	.89	.88
2	.97	.94	.92	.95	.93	.91	.92	.91	.90	.88	.87	.86	.85	.85	.84	.84
3	.93	.90	.87	.92	.89	.87	.90	.87	.85	.84	.83	.82	.81	.81	.80	.80
4	.89	.85	.82	.88	.84	.82	.86	.83	.81	.80	.79	.78	.77	.77	.76	.76
5	.85	.81	.78	.84	.81	.79	.83	.80	.77	.76	.75	.74	.73	.73	.72	.72
6	.82	.78	.76	.82	.78	.76	.80	.77	.75	.74	.73	.72	.71	.71	.70	.70
7	.80	.76	.73	.79	.75	.73	.78	.75	.73	.72	.71	.70	.69	.69	.68	.68
8	.77	.73	.71	.76	.73	.70	.76	.72	.70	.69	.68	.67	.66	.66	.65	.65
9	.74	.71	.68	.73	.70	.67	.73	.69	.67	.66	.65	.64	.63	.63	.62	.62
10	.71	.67	.65	.71	.67	.65	.70	.67	.64	.64	.63	.62	.61	.61	.60	.60

Conversion factors: 150W PAR-38 (Gold): C.U. x 1.0; 250W PAR-38 (Clear and Gold): C.U. x 1.0; 150W and 250W PAR-38 (Black Alzak and Multigroove): C.U. x 0.9.