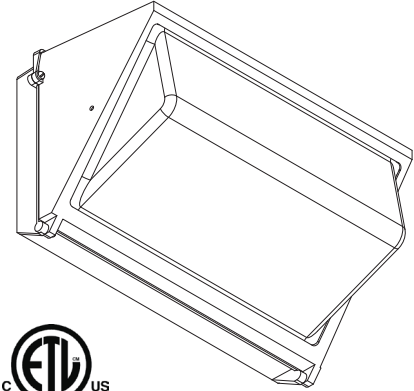


# Classic design, improved LED performance

## WALLPACK LARGE 553 LED



### PHILIPS KEENE, WALLPACK WP LED

The Keene 553 Large Wall Pack offers maximum light output for general purpose area and security lighting through a classic glass refractor design. Now available with the Philips LEDGINE platform, 553 LED provides up to 20% more lumens and consumes 31% less energy than the former LED design.\* This versatile luminaire is ideal to match same as existing or retrofit HID legacy designs.

Project: \_\_\_\_\_  
 Location: \_\_\_\_\_  
 Catalog No: \_\_\_\_\_  
 Fixture Type: \_\_\_\_\_  
 Mfg: \_\_\_\_\_ Qty: \_\_\_\_\_  
 Notes: \_\_\_\_\_

### Ordering guide

Example: 553-LED-3270-4K-UNV-PCB-P

Series	Lamp Source	LED Quantity/Drive Current	Color Temperature	Voltage	Options	Finish
<input type="text" value="553"/>	<input type="text" value="LED"/>	<input type="text" value="3270"/>	<input type="text" value="4K"/>	<input type="text"/>	<input type="text"/>	<input type="text"/>
<b>553</b> Large LED WallPak	<b>LED</b> LED	<b>3270</b> 32 LEDs, 700mA	<b>4K</b> 4000K	<b>UNV</b> 120-277V <b>HVU</b> 347-480V <b>120</b> 120V <b>208</b> 208V <b>277</b> 277V <b>347</b> 347V <b>480</b> 480V	<b>APD</b> <sup>1</sup> Automatic Profile Dimming <b>PCB</b> Button Photo Control (must specify voltage) <b>F</b> Fusing	<b>P</b> Textured Bronze <b>T</b> Textured Titanium <b>W</b> Textured White <b>B</b> Textured Black

1. Automatic profile dimming (APD) is only available in 120-277V.

### Accessories (Ordered Separately)

Accessories	
<input type="text"/>	
<b>P110A</b>	Pencil photocontrol (120V)
<b>P150M</b>	Light leveler photocontrol (208-277V)
<b>P105A</b>	Button Photo Control Kit (120V)
<b>P105M</b>	Button Photo Control Kit (208-277V)
<b>537</b>	Stainless steel wire guard, for WP
<b>535</b>	Clear Lexan vandal guard for WP
<b>52352LED</b>	Replacement Lens, WP LED (some field assembly required)

### Stocked Luminaire Ordering guide

Example: 553LED32704KUNVP

Series
<input type="text"/>
<b>553LED32704KUNVP</b>

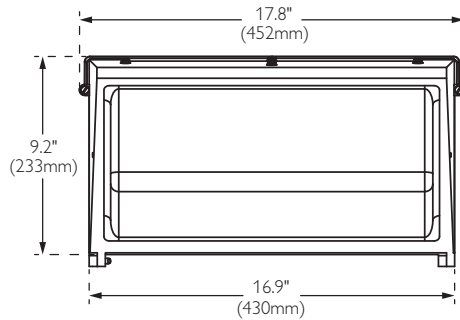
\* Lumen output of previous WP LED version - 5,265. Lumen output of current WP LED version - 6,358.  
 Luminaire input watts of previous WP LED version - 99. Luminaire input watts of previous WP LED version - 68.



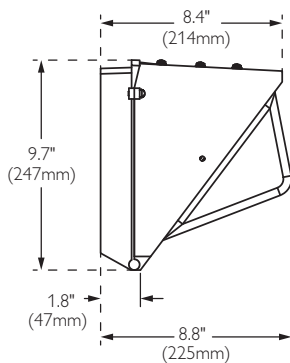
# WALLPACK LARGE 553 LED

## Dimensions

Front View



Side View



Approximate Luminaire Weight:  
16.8 Lbs (7.2 Kg)

## Technical Information

Horizontal Footcandles

Scale: Grid = 1x Mounting Height

Light Loss Factor: 1.00

Luminaire Lumens: 6,358

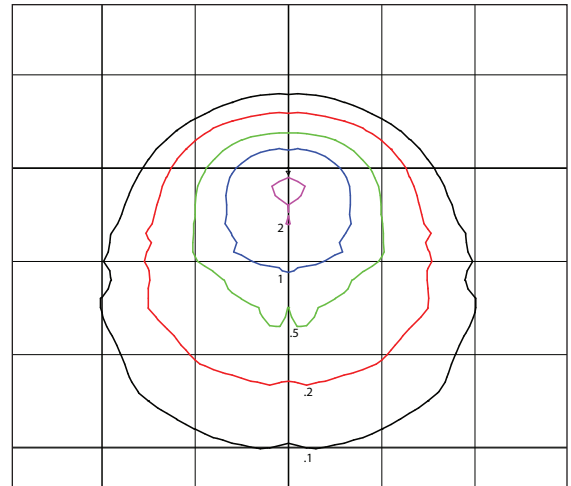
Wattage: 68

Efficacy: 94 LPW

BUG Rating: B1-U5-G4

Mounting Height: 25.00 Ft

Maximum Calculated Value: 2.19 Fc



## Specifications

### Features

The Philips Keene 553 Large Wall Pack combines enhanced LED performance in a classic luminaire design for general purpose wall mount area and security lighting and can be used to match same as existing installations or retrofit myriad of HID legacy designs. New options include use of energy saving control features such as Automatic Profile Dimming (APD) for even greater savings opportunities and standard surge suppression.

### Housing/Door

One piece die cast aluminum housing provided hinged, removeable one piece die cast aluminum door.

### Input Watts

68W

### Delivered Lumens

6,358 lumens.

### Efficacy

94 Lumens per watt.

### Mounting

Mount over 4" j-box with direct mounting via bolts (by others).

### Electrical

Driver efficiency (>90% standard) 50/60Hz available in 120-277V or 347-480V, open/short circuit protection. RoHS compliant. Surge protector standard, 10KA per ANSI/IEEE C62.41.2.

### LED

32 LED's. Neutral white (4000K) color temperature. 70 Color rendering index (CRI) (nominal).

### Optical Lens System

Borosilicate glass catadioptric refractive design featuring a IES Type 4 distribution. BUG Rating: B1-U5-G4. Cutoff Classification: Non-cutoff

### Finish

Each standard color luminaire receives a fade and abrasion resistant, electrostatically applied, thermally cured, triglycidyl isocyanurate (TGIC) textured polyester powdercoat finish.

## Predicted Lumen Depreciation Data

Ambient Temp. °C	Driver mA	Calculated L <sub>70</sub> hrs <sup>1,2</sup>	L <sub>70</sub> Per TM-212 <sup>3</sup>	Lumen Maint. % @48,000 hrs
Up to 40° C	Up to 700mA	> 244,000 hours	> 60,000 hrs	96%

1. Predicted performance derived from LED manufacturer's data and engineering design estimates  
2. L70 is the predicted time when LED performance depreciates to 70% of initial lumen output.  
3. Calculated per IESNA TM 21-11. Published L70 hours limited to 6 times actual LED test hours.



© 2014 Koninklijke Philips N.V. All rights reserved.  
Specifications are subject to change without notice.  
[www.philips.com/luminaires](http://www.philips.com/luminaires)

WPLED 04/14 page 2 of 2

Philips Lighting  
North America Corporation  
200 Franklin Square Drive  
Somerset, NJ 08873  
Phone: 855-486-2216

Philips Lighting Company  
281 Hillmount Road  
Markham ON, Canada L6C 2S3  
Phone: 800-668-9008