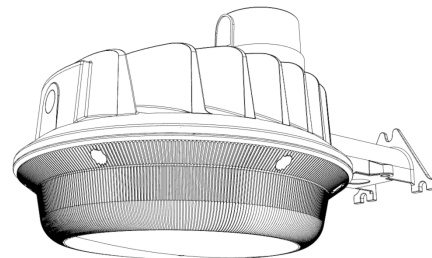


Versatile luminaire for easy retrofitting

DUSK TO DAWN LED LUMINAIRE GEN 2



PHILIPS STONCO DUSK TO DAWN LED LUMINAIRE GEN 2

The Philips Stonco Dusk to Dawn LED Luminaire Gen 2 offers an economical solution with enhanced generation chip on board LED performance for general purpose area and security lighting. The luminaire can be direct mounted to vertical surfaces or mounted onto 1 1/2" O.D. arms. Arm is also available as an accessory ordered separately. A 120V NEMA twist lock photo cell is included as standard. This versatile luminaire easily retrofits onto existing arms and offers one of the most affordable and efficient energy saving solutions available.

Project: _____
 Location: _____
 Catalog No: _____
 Fixture Type: _____
 Mfg: _____ Qty: _____
 Notes: _____

Ordering guide

example: DTDLED1C5K120GY3SP

Series	Lamp Source	Configuration	Color Temperature	Voltage	Finish	Features
<input type="text" value="DTD"/>	<input type="text" value="LED"/>	<input type="text" value="1C"/>	<input type="text" value="5K"/>	<input type="text" value="120"/>	<input type="text" value="GY3S"/>	<input type="text" value="P"/>
DTD Dusk to Dawn LED Luminaire Gen 2	LED	1C 1COB	5K 5100K	120 120V	GY3S Light Grey Smooth	P Photocell NEMA twist lock with receptacle

Accessories (order separately)

- **DTDARMGY3S** – Mounting arm with hardware

Specifications

Housing

One piece die cast aluminum housing with integral arm mounting hub that can be direct mounted with lag bolts or fit onto 1 1/2" O.D. mounting arm.

Electrical

Driver efficiency (>90% standard). 120-277V
 Open/short circuit protection. RoHS compliant. Surge protector standard, 10KA per ANSI/IEEE C62.41.2.

Input Volts

120V
 Note: Connect to 120V only with provided photocell

Input Watts

39W

Delivered Lumens

3,356 lms

Lumens Per Watt

86 LPW

LED

Chip on board LED, 5100K +/-250K. CRI of 75.

Optical Lens System

Refractive design featuring prisms to spread light in a symmetrical Type 5 distribution. Lens material is durable polycarbonate. Specular aluminum reflector provided to maximize efficiency.

BUG Rating

B2-U2-G1

Cutoff Classification

Cutoff Classified

Mounting

Standard luminaire mounts to vertical surface using 1/4" lag bolts or easily fits onto 1 1/2" O.D. round pipe/tube. Direct mount hardware provided as standard. Mounting arm with hardware available separately as an accessory.

Listings

cULus listed to the UL 1598 standard, suitable for Wet Locations. Suitable for use in ambients from -30° to 40°C (-22° to 104°F).

Finish

Each standard color luminaire receives a fade and abrasion resistant, electrostatically applied, thermally cured, triglycidic isocyanurate (TGIC) textured polyester powder coat finish. Standard finish color is smooth light gray (GY3S).

Warranty

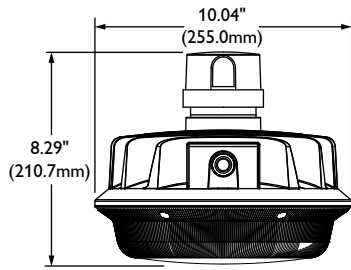
DTD LED luminaires feature a 5 year limited warranty.



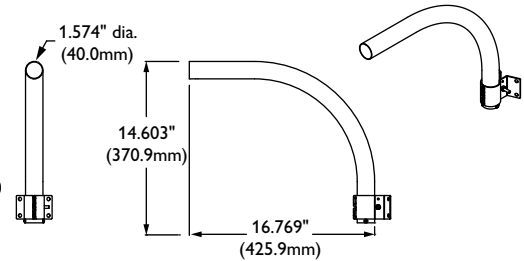
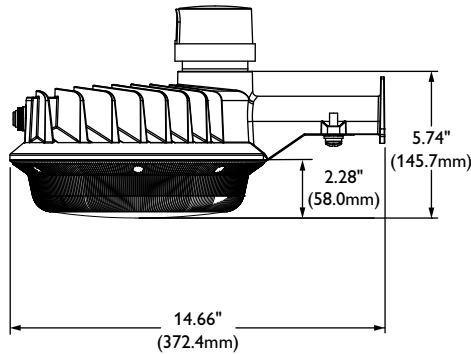
PHILIPS
Stonco

DUSK TO DAWN LED LUMINAIRE GEN 2

Dimensions



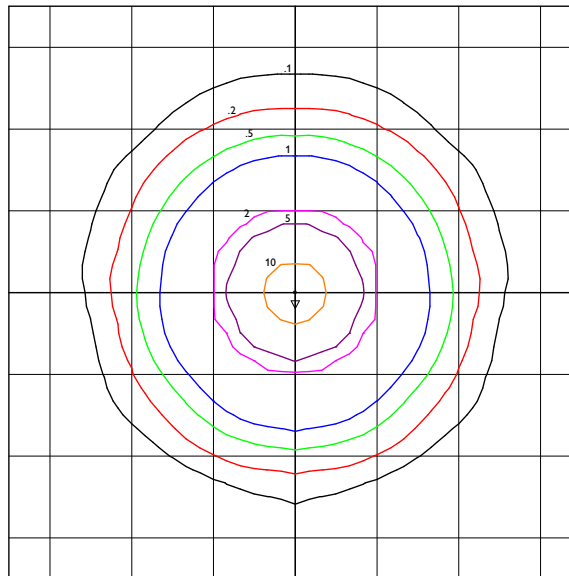
Approximate luminaire weight (less arm) – 4.6lbs (2.1kg)



DTDARMGY3S – Arm accessory (order separately)

Photometric Information

Horizontal Footcandles
Scale: 1 Inch = 10 Ft.
Light Loss Factor: 1.00
Luminaire Lumens: 3,356
Mounting Height: 10.00 Ft
Maximum Calculated Value: 13.37 Fc



Predicted Lumen Depreciation Data¹

Ambient Temp. °C	Driver mA	TM-21 Calculated L ₇₀ hrs ^{1,2}	Reported L ₇₀ Per TM-21 ^{2,3}	Lumen Maint. % @48,000 hrs
Up to 40°C	Up to 911 mA	> 182,000 hrs	> 48,000 hrs	84%

1. Calculated performance derived from LED manufacturer's data and engineering design estimates, based on IESNA LM-80 methodology. Actual experience may vary due to field application conditions.
2. L₇₀ is the predicted time when LED performance depreciates to 70% of initial lumen output.
3. Reported per IESNA TM21-11. Published L₇₀ hours limited to 6 times actual LED test hours.



© 2014 Koninklijke Philips N.V. All rights reserved.
 Specifications are subject to change without notice.
www.philips.com/luminaires

DTD_LED_gen2 04/14 page 2 of 2

Philips Lighting
 North America Corporation
 200 Franklin Square Drive
 Somerset, NJ 08873
 Phone: 855-486-2216

Philips Lighting Company
 281 Hillmount Road
 Markham ON, Canada L6C 2S3
 Phone: 800-668-9008