



PAR38 LED Single Optic Lamps with AirFlux Technology

13PAR38/F36 3000 DIM AF SO 6/1

Philips PAR38 LED Single Optic Lamps with AirFlux Technology improves shopping experience with superior lighting aesthetics and optimal thermal efficiency in a sleek, lightweight design.

Product data

• General Characteristics

Cap-Base	E26
Bulb	PAR38 [PAR38 mm]
Rated Avg. Life (Hours)	45000 hr

• Light Technical Characteristics

Color Code	WH
Color Designation	White
Beam Angle	36 D
Beam Description	36D [Medium beam]
Correlated Color Temperature	3000 K
Approximate Lumens	950 Lm
Approx. MBCP	2750 cd
CRI	81
Luminous Efficacy Lamp	73.08 Lm/W
Color Temp. (Kelvin)	3000 K [CCT 3000K]
Rated Luminous Flux	950 Lm

• Electrical Characteristics

Wattage	13 W
Wattage Technical	13 W
Voltage	120 V
Line Frequency	60 Hz
Power Factor	0.9 -
Lamp Current mA	126 mA
Dimmable	Yes

Wattage Equivalent	100 W
Starting Time	0.5 s

• Environmental characteristics

Energy consumption kWh/1000h	13 kWh
------------------------------	--------

• Measuring Conditions

Switching cycle	20000X
-----------------	--------

• Product Dimensions

Overall Length C	130 mm
Diameter D	120 mm

• Product Data

Product number	430108
Product number (full)	430108
Full product name	13PAR38/F36 3000 DIM AF SO 6/1
Short product name	13PAR38/F36 3000 DIM AF RO 6/1
Pieces per Sku	1
eop_pck_cfg	6
Skus/Case	6
Bar code on pack	46677430108
Bar code on case	50046677430103
Logistics code(s)	929000252604
eop_net_weight_pp	0.370 kg

Warnings and Safety

- Suitable for use in damp locations.

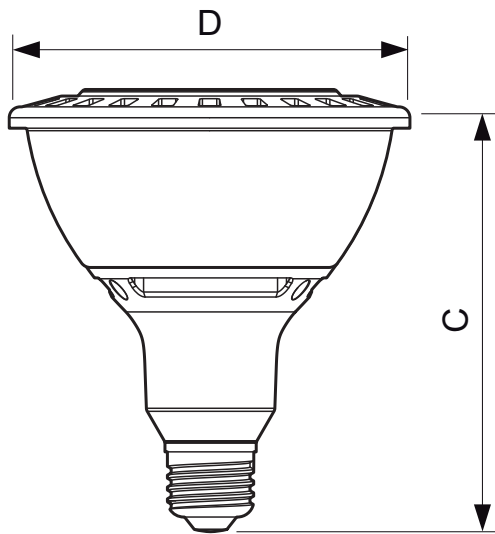
- Not for use in totally enclosed luminaires.



PHILIPS

PAR38 LED Single Optic Lamps with AirFlux Technology

Dimensional drawing



E26

13PAR38/F36 3000 DIM AF SO 6/1

Product	C (Norm)	C1 (Max)	D (Norm)	D1 (Norm)
LED 13W E26 3000K PAR38 36D DIM	130	-	120	-



© 2014 Koninklijke Philips N.V. (Royal Philips)
All rights reserved.

Specifications are subject to change without notice. Trademarks are the property of Koninklijke Philips N.V. (Royal Philips) or their respective owners.

www.philips.com/lighting

2014, November 18
data subject to change