



MR16 LED

7MRX16/F36 2700 DIM AF 10/1

Philips MR16 Dimmable LED Lamps provide ambient level light to illuminate hard to maintain applications. Increased transformer compatibility allows for operation on a wider range of transformers. Available in dimmable and non-dimmable versions, these lamps are ideal for track and open recessed fixtures in retail, hospitality and residential spaces.

Product data

• General Characteristics

Cap-Base	GU5.3
Bulb	MR16 [MR 16inch/50mm]
Rated Avg. Life (Hours)	40000 hr
Nominal Lifetime hours	40000 hr

Dimmable	Yes
Wattage Equivalent	35 W
Rated Wattage	7.0 W
Starting Time	0.5 (max) s
Warm-up Time to 60% Light Outp	instant full light
Suitable for accent lighting	Yes

• Light Technical Characteristics

Color Code	827
Color Designation	Warm White
Beam Angle	36 D
Beam Description	36D [Medium beam]
Correlated Color Temperature	2700 K
Approximate Lumens	420 Lm
Approx. MBCP	1200 cd
CRI	80
Luminous Efficacy Lamp	60.00 Lm/W
Color Temp. (Kelvin)	2700 K [CCT 2700K]
Rated Luminous Flux	420 Lm
LLMF - end nominal lifetime	70 %
Colour consistency	6 steps
Rated Beam Angle	36 D
Luminous flux in 90° cone	385 Lm

• Temperature Characteristics

T-case maximum	110 C
----------------	-------

• Environmental characteristics

Energy Efficiency Label (EEL)	A
Energy consumption kWh/1000h	8 kWh

• Measuring Conditions

Switching cycle	50000X
-----------------	--------

• Product Dimensions

Overall Length C	50 mm
Diameter D	54 mm

• Product Data

Product number	432625
Product number (full)	432625
Full product name	7MRX16/F36 2700 DIM AF 10/1
Short product name	7MR16/F36 2700 DIM AF 10/1
Pieces per Sku	1
eop_pck_cfg	10

• Electrical Characteristics

Wattage	7 W
Wattage Technical	7 W
Voltage	12 V
Line Frequency	50-60 Hz
Lamp Current mA	715 mA



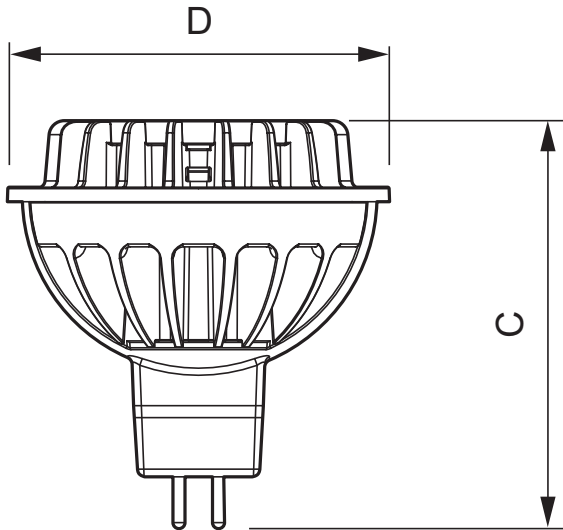
PHILIPS

MR16 LED

Skus/Case 10
Bar code on pack 46677432621
Bar code on case 50046677432626

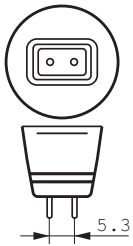
Logistics code(s) 929000237604
eop_net_weight_pp 0.060 kg

Dimensional drawing



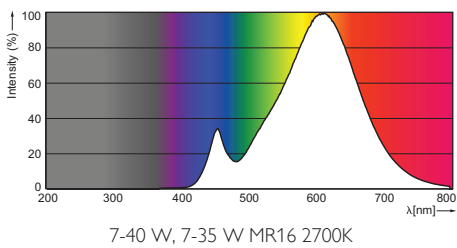
7MRX16/F36 2700 DIM AF 10/1

Product	C (Norm)	D (Norm)
LED D 7-35W 2700K MR16 36D	50	54



GU5.3

Photometric data



© 2014 Koninklijke Philips N.V. (Royal Philips)
All rights reserved.

Specifications are subject to change without notice. Trademarks are the property of Koninklijke Philips N.V. (Royal Philips) or their respective owners.

www.philips.com/lighting

2014, December 10
data subject to change