



PAR30L LED Single Optic lamp with AirFlux Technology

12PAR30L/F36 2700 DIM AF SO 6/1

Philips PAR30L LED Retail Optic lamp with AirFlux Technology improves shopping experience with superior lighting aesthetics and optimal thermal efficiency in a sleek, lightweight design.

Product data

• General Characteristics

Cap-Base	E26
Bulb	PAR30L
Rated Avg. Life (Hours)	50000 hr

• Light Technical Characteristics

Color Code	WH
Color Designation	White
Beam Angle	36 D
Beam Description	36D [Medium beam]
Correlated Color Temperature	2700 K
Approximate Lumens	850 Lm
Approx. MBCP	2400 cd
CRI	80
Luminous Efficacy Lamp	70.83 Lm/W
Color Temp. (Kelvin)	2700 K [CCT 2700K]
Rated Luminous Flux	850 Lm

• Electrical Characteristics

Wattage	12 W
Wattage Technical	12 W
Voltage	120 V
Line Frequency	60 Hz
Power Factor	0.9 -
Lamp Current mA	113 mA

Dimmable	Yes
Wattage Equivalent	75 W
Starting Time	0.5 s

• Environmental characteristics

Energy consumption kWh/1000h	12 kWh
------------------------------	--------

• Measuring Conditions

Switching cycle	20000X
-----------------	--------

• Product Dimensions

Overall Length C	116 mm
Diameter D	92 mm

• Product Data

Product number	430157
Full product name	12PAR30L/F36 2700 DIM AF SO 6/1
Short product name	12PAR30L/F36 2700 DIM AF RO 6/1
Pieces per Sku	1
eop_pck_cfg	6
Skus/Case	6
Bar code on pack	46677430153
Bar code on case	50046677430158
Logistics code(s)	929000251604
eop_net_weight_pp	0.240 kg



PHILIPS

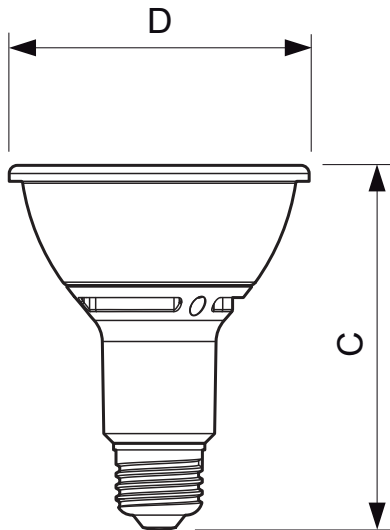
PAR30L LED Single Optic lamp with AirFlux Technology

Warnings and Safety

- Suitable for use in damp locations.
- Not for use in totally enclosed luminaires.

- Before replacing, turn off power and let lamp cool to avoid electrical shock or burn.

Dimensional drawing



E26

12PAR30L/F36 2700 DIM AF SO 6/1

Product	C (Norm)	C1 (Max)	D (Norm)	D1 (Norm)
LED 12-75W E26 2700K 120V PAR30L 36D DIM	116	-	92	-



© 2014 Koninklijke Philips N.V. (Royal Philips)
All rights reserved.

Specifications are subject to change without notice. Trademarks are the property of Koninklijke Philips N.V. (Royal Philips) or their respective owners.

www.philips.com/lighting

2014, November 18
data subject to change