



# PAR30L LED Single Optic lamp with AirFlux Technology

12PAR30L/F36 4000 DIM AF SO 6/1

Philips PAR30L LED Retail Optic lamp with AirFlux Technology improves shopping experience with superior lighting aesthetics and optimal thermal efficiency in a sleek, lightweight design.

## Product data

### • General Characteristics

Cap-Base	E26
Bulb	PAR30L
Rated Avg. Life (Hours)	50000 hr

### • Light Technical Characteristics

Color Code	WH
Color Designation	White
Beam Angle	36 D
Beam Description	36D [Medium beam]
Correlated Color Temperature	4000 K
Approximate Lumens	950 Lm
Approx. MBCP	2700 cd
CRI	82
Luminous Efficacy Lamp	79.17 Lm/W
Color Temp. (Kelvin)	4000 K [CCT 4000K]
Rated Luminous Flux	950 Lm

### • Electrical Characteristics

Wattage	12 W
Wattage Technical	12 W
Voltage	120 V
Line Frequency	60 Hz
Power Factor	0.9 -
Lamp Current mA	113 mA

Dimmable	Yes
Wattage Equivalent	75 W
Starting Time	0.5 s

### • Environmental characteristics

Energy consumption kWh/1000h	12 kWh
------------------------------	--------

### • Measuring Conditions

Switching cycle	20000X
-----------------	--------

### • Product Dimensions

Overall Length C	116 mm
Diameter D	92 mm

### • Product Data

Product number	430173
Full product name	12PAR30L/F36 4000 DIM AF SO 6/1
Short product name	12PAR30L/F36 4000 DIM AF RO 6/1
Pieces per Sku	1
eop_pck_cfg	6
Skus/Case	6
Bar code on pack	46677430177
Bar code on case	50046677430172
Logistics code(s)	929000251804
eop_net_weight_pp	0.240 kg



# PHILIPS

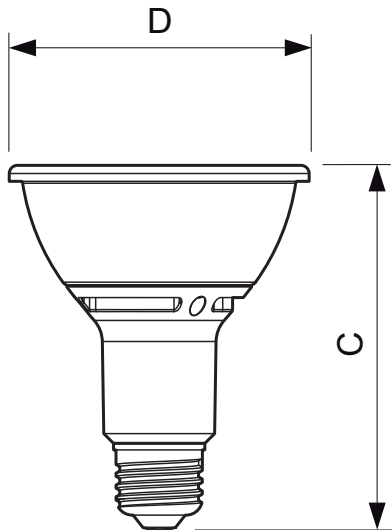
# PAR30L LED Single Optic lamp with AirFlux Technology

## Warnings and Safety

- Suitable for use in damp locations.
- Not for use in totally enclosed luminaires.

- Before replacing, turn off power and let lamp cool to avoid electrical shock or burn.

## Dimensional drawing



E26

## 12PAR30L/F36 4000 DIM AF SO 6/1

Product	C (Norm)	C1 (Max)	D (Norm)	D1 (Norm)
LED 12-75W E26 4000K 120V PAR30L 36D DIM	116	-	92	-



© 2014 Koninklijke Philips N.V. (Royal Philips)  
All rights reserved.

Specifications are subject to change without notice. Trademarks are the property of Koninklijke Philips N.V. (Royal Philips) or their respective owners.

[www.philips.com/lighting](http://www.philips.com/lighting)

2014, November 18  
data subject to change