

Highly efficient soft lighting with classic styling

ARIOSO RECESSED LED RIBBED ACRYLIC 2X4



PHILIPS DAY-BRITE / PHILIPS CFI ARIOSO RECESSED LED RIBBED ACRYLIC 2X4

The Philips Day-Brite / Philips CFI Ariosso Recessed LED Ribbed Acrylic offers standard-setting efficiency without aesthetic compromise. These LED luminaires combine state-of-the-art, flexible and globally-recognized LED lighting platforms with proven Ariosso optical combinations.

Project: _____
 Location: _____
 Catalog No: _____
 Fixture Type: _____
 Mfg: _____ Qty: _____
 Notes: _____

Ordering guide

example: 2AVEG38L835-4-ACR-UNV

Width	Family	Ceiling Type	Lumen Package	Color	Length	Shielding	Voltage	Options
2	AVE	G			4	ACR		
2 2'	AVE Ariosso Recessed	G 15/16" T-Grid or 9/16" Slot Grid	38L 3800 nominal lumens 43L 4300 nominal lumens 49L 4900 nominal lumens 74L 7400 nominal lumens	840 80 CRI, 4000K 835 80 CRI, 3500K	4 4'	ACR 100% frosted ribbed acrylic lens	UNV Universal voltage, 120-277 volt	DIM 0-10V dimming driver F1 Installed flex, 3/8" diameter, 18 gauge, 3 wire, 6' F2 Installed flex, 3/8" diameter, 18 gauge, 4 wire, 6'

Accessories (order separately)

- AVHD – Hold down clips
- FMA24 – 2'x4' "F" mounting frame for NEMA "F" mounting
- 1AVE/2AVE-ACR – replacement lens
- Electrical wiring options – Consult factory



PHILIPS
Day-Brite

PHILIPS
CFI

ARIOSO RECESSED LED RIBBED ACRYLIC 2X4

Features

- 100% frosted ribbed acrylic lens provides soft, balanced, direct and reflected light.
- Seamless welded form – curved top and side reflectors formed together without any gaps or visual barriers.
- High performance LED technology capable of delivering up to 7400 lm at 74.9W.
- Multiple lumen outputs available to balance energy savings with lighting application needs.
- Ideal for indoor general area lighting – offices, schools, retail and health care applications.
- High lumen package version available for retail applications (7400 lm at 75W) - provides similar light output to a 3-32W T8 luminaire and 12% energy savings.
- 80+ CRI and excellent color consistency.
- High efficiency LEDs have a minimum 50,000 hour rated life (L_{70}).
- Predicted L_{70} lifetime based on LED manufacturer's supplied LM-80 data and in-situ laboratory testing.
- Dimming option available.

Construction/Finish

- One piece chassis constructed from die formed 20 gauge cold rolled steel.
- 95% reflectance baked white acrylic matte paint finish.

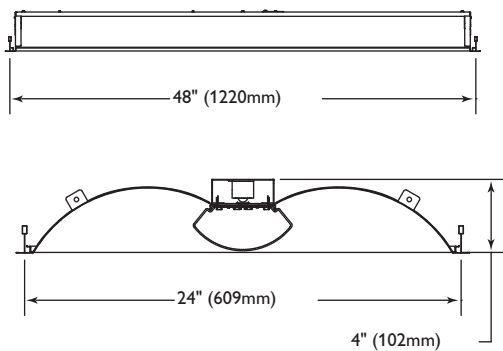
Electrical

- LED boards and drivers are RoHS (Restriction of Hazardous Substances) compliant. For dimming options, consult factory. LED array and driver accessible from below.
- cCSAus listed.

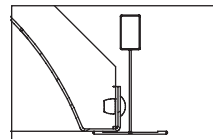
Enclosure

- High performance contoured lens conceals lamp image providing balance between reflected and direct light.

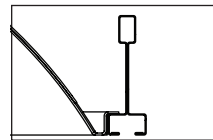
Dimensions



Ceiling compatibility for G type luminaire



Suited to standard exposed 15/16" T-grid ceilings



Suited to standard exposed Slot T-grid ceilings

Photometry

Arioso Recessed LED Ribbed Acrylic 2x4, 3800 nominal lumens LER – 97

Catalog No. 2AVEG38L840-4-ACR		Candlepower				Light Distribution																																																																																																																																
Test No.	31664	Angle	End	45	Cross	Degrees	Lumens	% Luminaire																																																																																																																														
S/MH	1.3	0	1345	1345	1345	0-30	1044	26.67																																																																																																																														
Lamp Type	LED	5	1341	1354	1310	0-40	1702	43.46																																																																																																																														
Lumens/Lamp	3920	10	1320	1338	1298	0-60	2983	76.19																																																																																																																														
Input Watts	40.3	15	1284	1307	1268	0-90	3915	100.00																																																																																																																														
		20	1234	1261	1233																																																																																																																																	
		25	1169	1209	1185																																																																																																																																	
		30	1092	1145	1127																																																																																																																																	
		35	1001	1068	1064																																																																																																																																	
		40	901	986	992																																																																																																																																	
		45	796	903	912																																																																																																																																	
		50	683	799	830																																																																																																																																	
		55	573	699	743																																																																																																																																	
		60	466	604	657																																																																																																																																	
		65	364	507	569																																																																																																																																	
		70	272	416	483																																																																																																																																	
		75	195	332	398																																																																																																																																	
		80	124	246	289																																																																																																																																	
		85	60	136	121																																																																																																																																	
Comparative yearly lighting energy cost per 1000 lumens – \$2.47 based on 3000 hrs. and \$.08 pwr KWH.		<h3>Coefficients of Utilization</h3> <p>EFFECTIVE FLOOR CAVITY REFLECTANCE 20 PER (pfc=0.20)</p> <table border="1"> <thead> <tr> <th>pcc</th> <th colspan="3">80</th> <th colspan="3">70</th> <th colspan="2">50</th> </tr> <tr> <th>pw</th> <th>70</th> <th>50</th> <th>30</th> <th>70</th> <th>50</th> <th>30</th> <th>50</th> <th>30</th> </tr> </thead> <tbody> <tr> <td>RCR</td> <td></td> <td></td> <td></td> <td></td> <td></td> <td></td> <td></td> <td></td> </tr> <tr> <td>0</td> <td>1.19</td> <td>1.19</td> <td>1.19</td> <td>1.16</td> <td>1.16</td> <td>1.16</td> <td>1.11</td> <td>1.11</td> </tr> <tr> <td>1</td> <td>1.09</td> <td>1.04</td> <td>1.00</td> <td>1.06</td> <td>1.02</td> <td>.98</td> <td>.97</td> <td>.94</td> </tr> <tr> <td>2</td> <td>.99</td> <td>.92</td> <td>.85</td> <td>.97</td> <td>.90</td> <td>.83</td> <td>.86</td> <td>.81</td> </tr> <tr> <td>3</td> <td>.91</td> <td>.81</td> <td>.73</td> <td>.88</td> <td>.79</td> <td>.72</td> <td>.76</td> <td>.70</td> </tr> <tr> <td>4</td> <td>.84</td> <td>.72</td> <td>.64</td> <td>.82</td> <td>.71</td> <td>.63</td> <td>.68</td> <td>.61</td> </tr> <tr> <td>5</td> <td>.77</td> <td>.65</td> <td>.56</td> <td>.75</td> <td>.63</td> <td>.55</td> <td>.61</td> <td>.54</td> </tr> <tr> <td>6</td> <td>.71</td> <td>.58</td> <td>.49</td> <td>.69</td> <td>.57</td> <td>.48</td> <td>.55</td> <td>.48</td> </tr> <tr> <td>7</td> <td>.65</td> <td>.52</td> <td>.43</td> <td>.64</td> <td>.51</td> <td>.43</td> <td>.49</td> <td>.42</td> </tr> <tr> <td>8</td> <td>.61</td> <td>.47</td> <td>.39</td> <td>.59</td> <td>.46</td> <td>.38</td> <td>.45</td> <td>.38</td> </tr> <tr> <td>9</td> <td>.56</td> <td>.43</td> <td>.35</td> <td>.55</td> <td>.42</td> <td>.34</td> <td>.41</td> <td>.34</td> </tr> <tr> <td>10</td> <td>.52</td> <td>.39</td> <td>.31</td> <td>.51</td> <td>.38</td> <td>.31</td> <td>.37</td> <td>.30</td> </tr> </tbody> </table>							pcc	80			70			50		pw	70	50	30	70	50	30	50	30	RCR									0	1.19	1.19	1.19	1.16	1.16	1.16	1.11	1.11	1	1.09	1.04	1.00	1.06	1.02	.98	.97	.94	2	.99	.92	.85	.97	.90	.83	.86	.81	3	.91	.81	.73	.88	.79	.72	.76	.70	4	.84	.72	.64	.82	.71	.63	.68	.61	5	.77	.65	.56	.75	.63	.55	.61	.54	6	.71	.58	.49	.69	.57	.48	.55	.48	7	.65	.52	.43	.64	.51	.43	.49	.42	8	.61	.47	.39	.59	.46	.38	.45	.38	9	.56	.43	.35	.55	.42	.34	.41	.34	10	.52	.39	.31	.51	.38	.31	.37	.30
pcc	80			70			50																																																																																																																															
pw	70	50	30	70	50	30	50	30																																																																																																																														
RCR																																																																																																																																						
0	1.19	1.19	1.19	1.16	1.16	1.16	1.11	1.11																																																																																																																														
1	1.09	1.04	1.00	1.06	1.02	.98	.97	.94																																																																																																																														
2	.99	.92	.85	.97	.90	.83	.86	.81																																																																																																																														
3	.91	.81	.73	.88	.79	.72	.76	.70																																																																																																																														
4	.84	.72	.64	.82	.71	.63	.68	.61																																																																																																																														
5	.77	.65	.56	.75	.63	.55	.61	.54																																																																																																																														
6	.71	.58	.49	.69	.57	.48	.55	.48																																																																																																																														
7	.65	.52	.43	.64	.51	.43	.49	.42																																																																																																																														
8	.61	.47	.39	.59	.46	.38	.45	.38																																																																																																																														
9	.56	.43	.35	.55	.42	.34	.41	.34																																																																																																																														
10	.52	.39	.31	.51	.38	.31	.37	.30																																																																																																																														

ARIOSO RECESSED LED RIBBED ACRYLIC 2X4

Ariosso Recessed LED Ribbed Acrylic 2x4, 4300 nominal lumens

LER – 110

Catalog No.	2AVEG43L840-4-ACR	Candlepower				Light Distribution								
Test No.	31665	Angle	End	45	Cross	Degrees	Lumens	% Luminaire						
S/MH	1.3	0	1478	1478	1478	0-30	1147	26.74						
Lamp Type	LED	5	1477	1489	1433	0-40	1868	43.57						
Lumens/Lamp	4293	10	1454	1472	1420	0-60	3271	76.29						
Input Watts	39.2	15	1415	1437	1387	0-90	4288	100.00						
		20	1359	1387	1348									
		25	1288	1329	1295									
		30	1202	1258	1233									
		35	1102	1174	1163									
		40	992	1084	1085									
		45	872	983	997									
		50	749	877	906									
		55	627	767	810									
		60	509	660	716									
		65	398	556	618									
		70	297	458	524									
		75	207	366	430									
		80	127	272	304									
		85	61	145	123									
Comparative yearly lighting energy cost per 1000 lumens – \$2.18 based on 3000 hrs. and \$.08 pwr KWH.														
Coefficients of Utilization						EFFECTIVE FLOOR CAVITY REFLECTANCE 20 PER (pfc=0.20)								
pcc						80			70			50		
pw						70	50	30	70	50	30	50	30	
RCR														
0						1.19	1.19	1.19	1.16	1.16	1.16	1.11	1.11	
1						1.09	1.04	1.00	1.06	1.02	.98	.97	.94	
2						.99	.92	.85	.97	.90	.83	.86	.81	
3						.91	.81	.73	.88	.79	.72	.76	.70	
4						.84	.72	.64	.82	.71	.63	.68	.62	
5						.77	.65	.56	.75	.63	.55	.61	.54	
6						.71	.58	.49	.69	.57	.49	.55	.48	
7						.65	.52	.43	.64	.51	.43	.50	.42	
8						.61	.47	.39	.59	.46	.38	.45	.38	
9						.56	.43	.35	.55	.42	.34	.41	.34	
10						.52	.39	.31	.51	.38	.31	.37	.30	

Ariosso Recessed LED Ribbed Acrylic 2x4, 4900 nominal lumens

LER – 110

Catalog No.	2AVEG49L840-4-ACR	Candlepower				Light Distribution								
Test No.	31666	Angle	End	45	Cross	Degrees	Lumens	% Luminaire						
S/MH	1.3	0	1667	1667	1667	0-30	1292	26.66						
Lamp Type	LED	5	1668	1683	1610	0-40	2104	43.39						
Lumens/Lamp	4854	10	1642	1663	1594	0-60	3678	75.87						
Input Watts	44.1	15	1597	1623	1556	0-90	4848	100.00						
		20	1533	1565	1515									
		25	1451	1499	1456									
		30	1352	1417	1387									
		35	1238	1321	1309									
		40	1113	1217	1221									
		45	978	1102	1122									
		50	841	980	1021									
		55	704	856	914									
		60	571	735	808									
		65	447	617	697									
		70	334	508	592									
		75	234	403	484									
		80	146	298	326									
		85	71	150	125									
Comparative yearly lighting energy cost per 1000 lumens – \$2.16 based on 3000 hrs. and \$.08 pwr KWH.														
Coefficients of Utilization						EFFECTIVE FLOOR CAVITY REFLECTANCE 20 PER (pfc=0.20)								
pcc						80			70			50		
pw						70	50	30	70	50	30	50	30	
RCR														
0						1.19	1.19	1.19	1.16	1.16	1.16	1.11	1.11	
1						1.09	1.04	.99	1.06	1.02	.97	.97	.94	
2						.99	.91	.85	.97	.89	.83	.86	.80	
3						.91	.80	.72	.88	.79	.71	.76	.70	
4						.84	.72	.63	.82	.71	.63	.68	.61	
5						.77	.64	.56	.75	.63	.55	.61	.54	
6						.71	.58	.49	.69	.57	.48	.55	.48	
7						.65	.52	.43	.64	.51	.43	.49	.42	
8						.61	.47	.39	.59	.46	.38	.45	.38	
9						.56	.43	.34	.55	.42	.34	.41	.34	
10						.52	.39	.31	.51	.38	.31	.37	.30	

ARIOSO RECESSED LED RIBBED ACRYLIC 2X4

Ariosso Recessed LED Ribbed Acrylic 2x4, 7400 nominal lumens

LER – 99

Catalog No.	2AVEG74L840-4-ACR	Candlepower				Light Distribution											
Test No.	31667	Angle	End	45	Cross	Degrees	Lumens	% Luminaire									
S/MH	1.3	0	2560	2560	2560	0-30	1986	26.87									
Lamp Type	LED	5	2563	2587	2468	0-40	3234	43.76									
Lumens/Lamp	7400	10	2523	2556	2446	0-60	5659	76.56									
Input Watts	74.9	15	2453	2495	2390	0-90	7392	100.00									
		20	2355	2406	2325												
		25	2229	2306	2236												
		30	2078	2180	2130												
		35	1902	2034	2013												
		40	1711	1875	1879												
		45	1504	1698	1728												
		50	1291	1512	1573												
		55	1081	1322	1409												
		60	876	1137	1245												
		65	686	956	1077												
		70	512	783	914												
		75	357	626	745												
		80	220	460	492												
		85	105	220	180												
Comparative yearly lighting energy cost per 1000 lumens – \$2.42 based on 3000 hrs. and \$.08 pwr KWH.						Coefficients of Utilization											
						EFFECTIVE FLOOR CAVITY REFLECTANCE 20 PER (pfc=0.20)											
						pcc			80			70			50		
						pw			70			50			30		
						RCR			70			50			30		
						0			1.19			1.19			1.19		
						1			1.09			1.04			1.00		
						2			1.00			.92			.85		
						3			.91			.81			.73		
						4			.84			.72			.64		
						5			.77			.65			.56		
						6			.71			.58			.49		
						7			.65			.52			.43		
						8			.61			.47			.39		
						9			.56			.43			.35		
						10			.52			.39			.31		

Catalog Number	Delivered Lumens	Input Watts	Efficacy lm/W	8'x8' avg fc	8'x8' W/sq ft	8'x10' avg fc	8'x10' W/sq ft
2AVEG38L840-4-ACR	3920	40.3	97	61.2	0.63	48.9	0.50
2AVEG43L840-4-ACR	4293	39.2	110	67.0	0.61	53.6	0.49
2AVEG49L840-4-ACR	4854	44.1	110	75.8	0.69	60.6	0.55
2AVEG74L840-4-ACR	7400	74.9	99	115.5	1.17	92.4	0.94



© 2014 Koninklijke Philips N.V. All rights reserved.
Specifications are subject to change without notice.
www.philips.com/luminaires

0210-AR 06/14 page 4 of 4

Philips Lighting
North America Corporation
200 Franklin Square Drive
Somerset, NJ 08873
Tel. 855-486-2216

Imported by: Philips Lighting,
a division of Philips Electronics Ltd.
281 Hillmount Rd,
Markham, ON Canada L6C 2S3
Tel. 800-668-9008