



BR30 DimTone LED

13BR30/END/F90 22K-27K 6/1

Philips BR30 DimTone Dimmable LED Lamps with AirFlux Technology provide a soft, diffused level of light and smooth dimming from 2700K to 2200K to create a warm inviting atmosphere.

Product data

• General Characteristics

| | |
|-------------------------|----------|
| Cap-Base | E26 |
| Bulb | BR30 |
| Bulb Finish | White |
| Rated Avg. Life (Hours) | 25000 hr |

• Light Technical Characteristics

| | |
|------------------------------|--------------------|
| Color Code | WW |
| Beam Angle | 90 D |
| Beam Description | 90D [Flood] |
| Correlated Color Temperature | 2700 K |
| CRI | 83 |
| Luminous Efficacy Lamp | 56.15 Lm/W |
| Color Temp. (Kelvin) | 2700 K [CCT 2700K] |
| Rated Luminous Flux | 730 Lm |

• Electrical Characteristics

| | |
|--------------------|--------|
| Wattage | 13 W |
| Wattage Technical | 13 W |
| Voltage | 120 V |
| Line Frequency | 60 Hz |
| Power Factor | 0.9 - |
| Lamp Current mA | 128 mA |
| Dimmable | Yes |
| Wattage Equivalent | 65 W |

Starting Time 0.5 s

• Environmental characteristics

Energy consumption kWh/1000h 13 kWh

• Measuring Conditions

Switching cycle 20000X

• Product Dimensions

Overall Length C 131.5 mm
Overall Length C [inch] 5.177 (max)
Diameter D 95 mm

• Product Data

Product number 426445
Full product name 13BR30/END/F90 22K-27K 6/1
Short product name 13BR30/END/F90 22K-27K 6/1
Pieces per Sku 1
eop_pck_cfg 6
Skus/Case 6
Bar code on pack 46677426446
Bar code on case 50046677426441
Logistics code(s) 929000234404
eop_net_weight_pp 0.275 kg



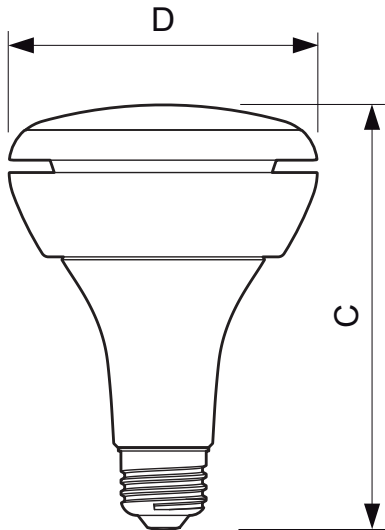
PHILIPS

Warnings and Safety

- Suitable for use in damp locations.
- Do not use in outdoor fixtures.

- Not for use in totally enclosed luminaires.
- Before replacing, turn off power and let lamp cool to avoid electrical shock or burn.

Dimensional drawing



13BR30/END/F90 22K-27K 6/1



E26



© 2014 Koninklijke Philips N.V. (Royal Philips)
All rights reserved.

Specifications are subject to change without notice. Trademarks are the property of Koninklijke Philips N.V. (Royal Philips) or their respective owners.

www.philips.com/lighting

2014, November 18
data subject to change