



# MR16 LED

7MRX16/F36 2700 DIM AF HO 10/1

Philips MR16 Dimmable LED Lamps provide ambient level light to illuminate hard to maintain applications. Increased transformer compatibility allows for operation on a wider range of transformers. Available in dimmable and non-dimmable versions, these lamps are ideal for track and open recessed fixtures in retail, hospitality and residential spaces.

## Product data

### • General Characteristics

|                         |                       |
|-------------------------|-----------------------|
| Cap-Base                | GU5.3                 |
| Bulb                    | MR16 [MR 16inch/50mm] |
| Rated Avg. Life (Hours) | 40000 hr              |
| Nominal Lifetime hours  | 40000 hr              |

### • Light Technical Characteristics

|                              |                    |
|------------------------------|--------------------|
| Color Code                   | 827                |
| Color Designation            | Warm White         |
| Beam Angle                   | 36 D               |
| Beam Description             | 36D [Medium beam]  |
| Correlated Color Temperature | 2700 K             |
| Approximate Lumens           | 500 Lm             |
| Approx. MBCP                 | 1300 cd            |
| CRI                          | 80                 |
| Luminous Efficacy Lamp       | 71.43 Lm/W         |
| Color Temp. (Kelvin)         | 2700 K [CCT 2700K] |
| Rated Luminous Flux          | 500 Lm             |
| LLMF - end nominal lifetime  | 70 %               |
| Colour consistency           | 6 steps            |
| Rated Beam Angle             | 36 D               |
| Luminous flux in 90° cone    | 455 Lm             |

### • Electrical Characteristics

|                   |          |
|-------------------|----------|
| Wattage           | 7 W      |
| Wattage Technical | 7 W      |
| Voltage           | 12 V     |
| Line Frequency    | 50-60 Hz |
| Power Factor      | 0.8 -    |

|                                |                    |
|--------------------------------|--------------------|
| Lamp Current mA                | 715 mA             |
| Dimmable                       | Yes                |
| Wattage Equivalent             | 40 W               |
| Rated Wattage                  | 7.0 W              |
| Starting Time                  | 0.5 (max) s        |
| Warm-up Time to 60% Light Outp | instant full light |
| Suitable for accent lighting   | Yes                |

### • Temperature Characteristics

|                |       |
|----------------|-------|
| T-case maximum | 110 C |
|----------------|-------|

### • Environmental characteristics

|                               |       |
|-------------------------------|-------|
| Energy Efficiency Label (EEL) | A     |
| Energy consumption kWh/1000h  | 8 kWh |

### • Measuring Conditions

|                 |        |
|-----------------|--------|
| Switching cycle | 50000X |
|-----------------|--------|

### • Product Dimensions

|                  |       |
|------------------|-------|
| Overall Length C | 54 mm |
| Diameter D       | 50 mm |

### • Product Data

|                    |                                |
|--------------------|--------------------------------|
| Product number     | 433649                         |
| Full product name  | 7MRX16/F36 2700 DIM AF HO 10/1 |
| Short product name | 7MR16/F36 2700 DIM AF HO 10/1  |
| Pieces per Sku     | 1                              |
| eop_pck_cfg        | 10                             |



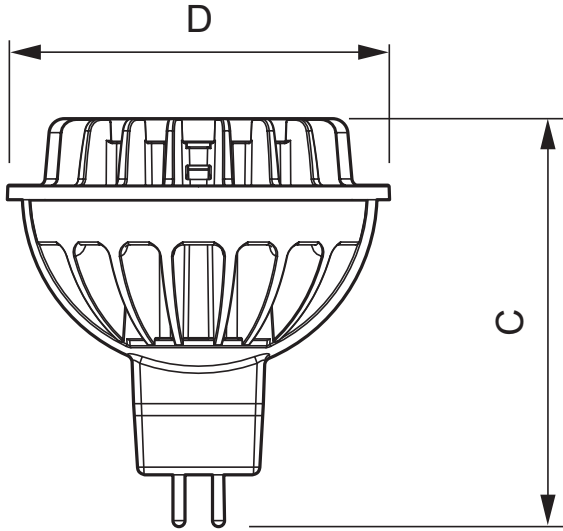
# PHILIPS

# MR16 LED

Skus/Case 10  
Bar code on pack 46677433642  
Bar code on case 50046677433647

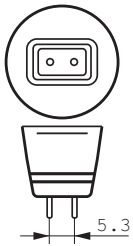
Logistics code(s) 929000263304  
eop\_net\_weight\_pp 0.060 kg

## Dimensional drawing



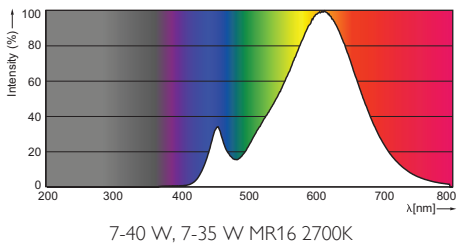
## 7MRX16/F36 2700 DIM AF HO 10/1

| Product                  | C (Norm) | D (Norm) |
|--------------------------|----------|----------|
| LED D 7-40W 827 MR16 36D | 54       | 50       |



GU5.3

## Photometric data



© 2014 Koninklijke Philips N.V. (Royal Philips)  
All rights reserved.

Specifications are subject to change without notice. Trademarks are the property of Koninklijke Philips N.V. (Royal Philips) or their respective owners.

[www.philips.com/lighting](http://www.philips.com/lighting)

2014, December 10  
data subject to change