



MR16 LED

7MRX16/S15 2700 DIM AF 10/1

Philips MR16 Dimmable LED Lamps provide ambient level light to illuminate hard to maintain applications. Increased transformer compatibility allows for operation on a wider range of transformers. Available in dimmable and non-dimmable versions, these lamps are ideal for track and open recessed fixtures in retail, hospitality and residential spaces.

Product data

• General Characteristics

Cap-Base	GU5.3
Bulb	MR16 [MR 16inch/50mm]
Rated Avg. Life (Hours)	40000 hr
Nominal Lifetime hours	40000 hr

Dimmable	Yes
Wattage Equivalent	35 W
Rated Wattage	7.0 W
Starting Time	0.5 (max) s
Warm-up Time to 60% Light Outp	instant full light
Suitable for accent lighting	Yes

• Light Technical Characteristics

Color Code	827
Color Designation	Warm White
Beam Angle	15 D
Beam Description	- [-]
Correlated Color Temperature	2700 K
Approximate Lumens	380 Lm
Approx. MBCP	2900 cd
CRI	80
Luminous Efficacy Lamp	54.29 Lm/W
Color Temp. (Kelvin)	2700 K [CCT 2700K]
Rated Luminous Flux	380 Lm
LLMF - end nominal lifetime	40000 %
Colour consistency	6 steps
Rated Beam Angle	15 D
Luminous flux in 90° cone	360 Lm

• Temperature Characteristics

T-case maximum	110 C
----------------	-------

• Environmental characteristics

Energy Efficiency Label (EEL)	A
Energy consumption kWh/1000h	8 kWh

• Measuring Conditions

Switching cycle	50000X
-----------------	--------

• Product Dimensions

Overall Length C	50 mm
Diameter D	54 mm

• Product Data

Product number	432658
Full product name	7MRX16/S15 2700 DIM AF 10/1
Short product name	7MR16/S15 2700 DIM AF 10/1
Pieces per Sku	1
eop_pck_cfg	10
Skus/Case	10

• Electrical Characteristics

Wattage	7 W
Wattage Technical	7 W
Voltage	12 V
Line Frequency	50-60 Hz
Lamp Current mA	715 mA



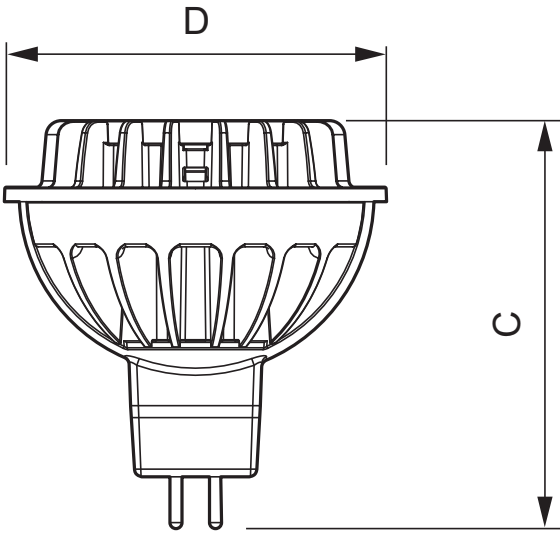
PHILIPS

MR16 LED

Bar code on pack 46677432652
Bar code on case 50046677432657

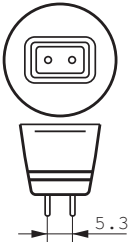
Logistics code(s) 929000262704
eop_net_weight_pp 0.060 kg

Dimensional drawing



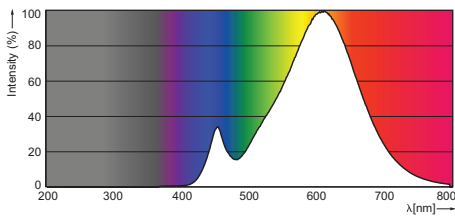
7MRX16/S15 2700 DIM AF 10/1

Product	C (Norm)	D (Norm)
LED D 7-35W 2700K MR16 15D	50	54



GU5.3

Photometric data



7-40 W, 7-35 W MR16 2700K



© 2015 Koninklijke Philips N.V. (Royal Philips)
All rights reserved.

Specifications are subject to change without notice. Trademarks are the property of Koninklijke Philips N.V. (Royal Philips) or their respective owners.

www.philips.com/lighting

2015, February 23
data subject to change