



MR16 LED

7MRX16/F24 2700 DIM AF HO 10/1

Philips MR16 Dimmable LED Lamps provide ambient level light to illuminate hard to maintain applications. Increased transformer compatibility allows for operation on a wider range of transformers. Available in dimmable and non-dimmable versions, these lamps are ideal for track and open recessed fixtures in retail, hospitality and residential spaces.

Product data

• General Characteristics

Cap-Base	GU5.3
Bulb	MR16 [MR 16inch/50mm]
Rated Avg. Life (Hours)	40000 hr
Nominal Lifetime hours	40000 hr

• Light Technical Characteristics

Color Code	827
Color Designation	Warm White
Beam Angle	24 D
Beam Description	24D [Medium beam]
Correlated Color Temperature	2700 K
Approximate Lumens	500 Lm
Approx. MBCP	2400 cd
CRI	80
Luminous Efficacy Lamp	71.43 Lm/W
Color Temp. (Kelvin)	2700 K [CCT 2700K]
Rated Luminous Flux	500 Lm
LLMF - end nominal lifetime	70 %
Colour consistency	6 steps
Rated Beam Angle	24 D
Luminous flux in 90° cone	470 Lm

• Electrical Characteristics

Wattage	7 W
Wattage Technical	7 W
Voltage	12 V
Line Frequency	50-60 Hz
Power Factor	0.8 -

Lamp Current mA	715 mA
Dimmable	Yes
Wattage Equivalent	40 W
Rated Wattage	7.0 W
Starting Time	0.10000000 (max) s
Warm-up Time to 60% Light Outp	instant full light
Suitable for accent lighting	Yes

• Temperature Characteristics

T-case maximum	110 C
----------------	-------

• Environmental characteristics

Energy Efficiency Label (EEL)	A+
Energy consumption kWh/1000h	8 kWh

• Measuring Conditions

Switching cycle	50000X
-----------------	--------

• Product Dimensions

Overall Length C	54 mm
Diameter D	50 mm

• Product Data

Product number	433623
Full product name	7MRX16/F24 2700 DIM AF HO 10/1
Short product name	7MR16/F24 2700 DIM AF HO 10/1
Pieces per Sku	1
eop_pck_cfg	10



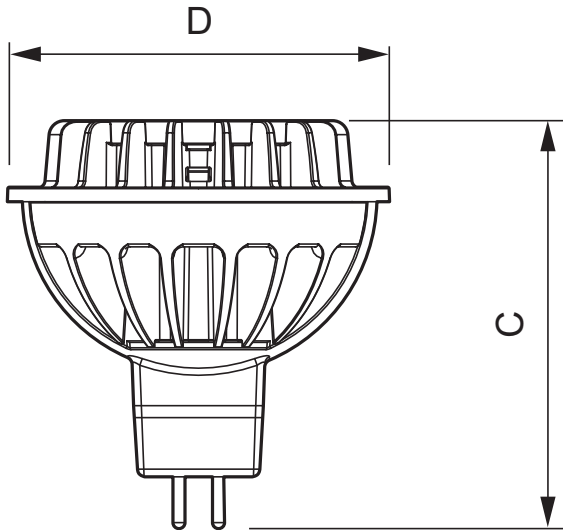
PHILIPS

MR16 LED

Skus/Case 10
Bar code on pack 46677433628
Bar code on case 50046677433623

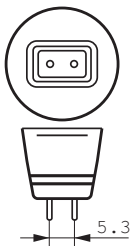
Logistics code(s) 929000263004
eop_net_weight_pp 0.060 kg

Dimensional drawing



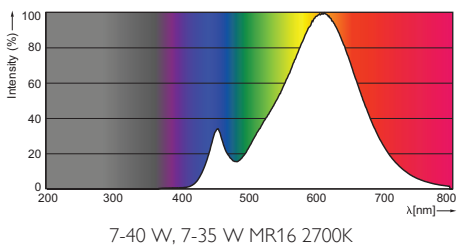
7MRX16/F24 2700 DIM AF HO 10/1

Product	C (Norm)	D (Norm)
LED D 7-40W 827 MR16 24D	54	50



GU5.3

Photometric data



© 2014 Koninklijke Philips N.V. (Royal Philips)
All rights reserved.

Specifications are subject to change without notice. Trademarks are the property of Koninklijke Philips N.V. (Royal Philips) or their respective owners.

www.philips.com/lighting

2014, December 10
data subject to change