



MasterColor CDM-R Elite

MASTERColor CDM-R Elite 70W/930 Med PAR30L 40D

The Elite family is at the very top of the MasterColor CDM range, and gives a unique combination of unbeatable light quality and consistent performance over lifetime, while keeping running costs low. MasterColor metal halide lamps deliver consistent white light and higher color rendering than any standard metal halide source for architectural lighting. MasterColor CDM Elite PAR30L lamps deliver similar performance as the MasterColor Elite family lamps in the familiar PAR30L shape.

Product data

• General Characteristics

Base	Medium [Single Contact Medium Screw]
Bulb	PAR30L [PAR 3.75 inch/95mm Long]
Bulb Finish	Clear
Operating Position	Universal [Any or Universal (U)]
Avg. Hrs. Life	15000 hr

• Light Technical Characteristics

Beam Description	Flood [Flood]
Beam Angle	40 D
Approx. MBCP	9300 cd
Color Code	930 [CCT of 3000K]
Color Rendering Index	89 (min), 92 (nom) Ra8
Color Designation	Warm White
Color Temperature	3000 K
Forward Luminous Output	5310 Lm
Forward Luminous Efficacy	76 Lm/W
LLMF - end nominal lifetime	80 %
Forward Lum Maintenance 15000h	80 %
Design Mean Lumens	4510 Lm
Chromaticity Coordinate X	0.443 -
Chromaticity Coordinate Y	0.402 -
Luminous flux in 90° cone	4400 Lm

• Electrical Characteristics

System Power EL	80 W
-----------------	------

Watts	70 W
Lamp Wattage EL	70 W
Lamp Wattage EL 25°C, Rated	73 W
Lamp Voltage	97 V
Lamp Current EL	0.780 A
Ignition Time	30 (max) s
Run-up time 90%	3 (max) min
Re-ignition Time [min]	15 (max) min
Dimmable	No
Warm-up Time to 60% Light Outp	120 s

• Environmental Characteristics

Energy Efficiency Label (EEL)	-
Mercury (Hg) Content	6.6 mg
Energy consumption kWh/1000h	80 kWh

• Measuring Conditions

Switching cycle	1350X
-----------------	-------

• Luminaire Design Requirements

Cap-Base Temperature	200 (max) C
Bulb Temperature	300 (max) C

• Product Dimensions

Overall Length C	123 (max) mm
Diameter D	97 (max) mm

PHILIPS

MasterColor CDM-R Elite

Max Overall Length (MOL) - C 4.84 (max) in

Pieces per Sku 1
 eop_pck_cfg 6
 Skus/Case 6
 Bar code on pack 46677426545
 Bar code on case 50046677426540
 Logistics code(s) 928109800615
 tpd_ilcos_cd MRS/UB-70/30/1A-H-E26
 eop_net_weight_pp 0.220 kg

• **Product Data**

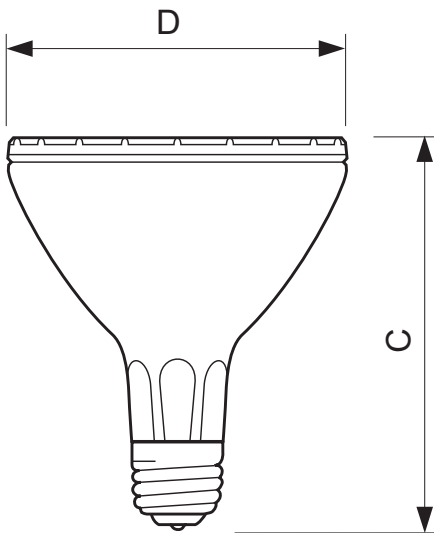
Product number 426544
 Full product name MASTERColor CDM-R Elite 70W/930 Med PAR30L 40D
 Short product name CDM-R Elite 70W/930 E26/24 PAR30L 40D

Warnings and Safety

- R "WARNING: These lamps can cause serious skin burn and eye inflammation from short wave ultraviolet radiation if outer envelope of the lamp is broken or punctured. Do not use where people will

remain for more than a few minutes unless adequate shielding or other safety precautions are used. Certain lamps that will automatically extinguish when the outer envelope is broken or punctured are commercially available." This lamp complies with FDA radiation performance standard 21 CFR subchapter J. (USA:21 CFR 1040.30 Canada: SOR/DORS/80-381)

Dimensional drawing



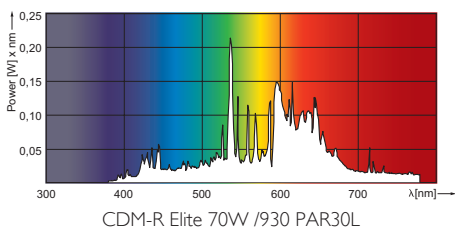
MASTERColor CDM-R Elite 70W/930 Med PAR30L 40D

Product	C (Max)	D (Max)
CDM-R Elite 70W/930 E26 PAR30L 40D	123	97



E26

Photometric data





© 2014 Koninklijke Philips N.V. (Royal Philips)
All rights reserved.

Specifications are subject to change without notice. Trademarks are the property of Koninklijke Philips N.V. (Royal Philips) or their respective owners.

www.philips.com/lighting

2014, October 16
data subject to change