

# Make the move to Philips Lightolier CorePro LED Downlights.

CP430K6  
4" COREPRO



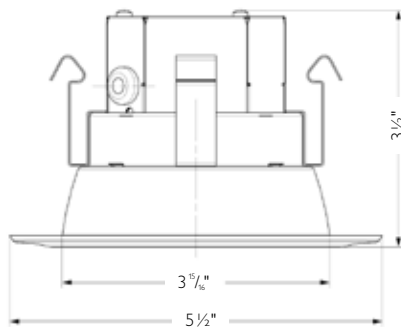
LED DOWNLIGHT RETROFIT KIT 4" APERTURE  
CP430K6 (600lm)

Core value LED retrofit downlight  
For retrofit, new construction and remodel applications  
Installs in many existing residential and commercial applications

Project: \_\_\_\_\_  
Location: \_\_\_\_\_  
Catalog No: \_\_\_\_\_  
Fixture Type: \_\_\_\_\_  
Mfg: \_\_\_\_\_ Lamps: \_\_\_\_\_ Qty: \_\_\_\_\_  
Notes: \_\_\_\_\_

## Retrofit Kit

CP430K6 – 4" 600lm, 3000k, White Splay



## Compatible Housings

**P4, P4ASIC, P4R** – Philips Capri  
**R4, R4ASICG, RR4** – Philips Capri  
**H99ICAT** – Halo  
**1179** – Seagull  
**1105** – Seagull  
**E1400ATSB** – All-Pro

## Features

- Reflector/Flange:** One piece self flange aluminum, .032" thick, (20ga.). Powder coated, non yellowing, white splay and flange.
- Lens:** PMMA 1.5mm thick. High transmittance lens allowing for smooth, diffused light pattern.
- Power supply:** Class 2 driver. Factory wired electronic LED driver (see Electrical section for specifications) Enclosed in a .032" thick (21 ga.) painted steel housing.
- LED board:** Utilizes Philips LEDs.
- Friction spring:** Stainless steel.
- Power connection:** E26 medium base whip connector (included) for retrofit.
- Frame in kit/housing:** Refer to appropriate frame in kit/housing specification sheets for complete information.
- Labels:** cULus wet location classified, Energy Star.
- Lifetime:** Expected lifetime 50,000 hours and backed by a 5-year warranty (see Philips.com/warranties for details).

## Electrical

**Electronic power supply:** RoHS compliant\* Class 2 power unit for use in a dry location. Unit tolerates sustained open circuit and short circuit output conditions without damage.

**Dimming:** All luminaires are intended for use with TRIAC type dimmers. Go to <http://www.lightolier.com/MKACatpdfs/LED-DIM.PDF> for the latest dimming switch capability information. 10%-100% dimming range.

Lumen Output	Input Voltage	Input Frequency	Max Input Current	Max Input Power	Max THD	Power Factor	Minimum Operating Temp.
625 lm	120V	50/60Hz	0.07A	8W	< 30%	> .9	-18° C

\* Restrictions on Hazardous Substances (RoHS) is a European directive (2002/95/EC) designed to limit the content of 6 substances [lead, mercury, cadmium, hexavalent chromium, polybrominated biphenyls (PBB), and polybrominated diphenyl ethers (PBDE)] in electrical and electronic products. For products used in North America compliance to RoHS is voluntary and self-certified.



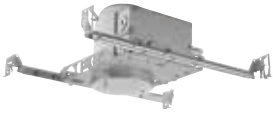
# CP430K6 4" COREPRO

## New Construction

**P4ASIC** – C Plus 4" IC Housing



**P4** – C Plus 4" Non-IC Housing



## Remodeler

**P4R** – C Plus 4" Non-IC Remodeler Housing



## 4" CorePro DL

**Output lumens:** 625 lm  
**Correlated Color Temp:** 3000K  
**Input Watts:** 8.0W  
**Efficacy:** 78.1 lm/W  
**CRI:** >80  
**Spacing Criterion:** 1.2

### Coefficients of Utilization

Ceiling	80				70		50		30		0
	70	50	30	10	50	10	50	10	50	10	0
Wall	Zonal Cavity Method – Effective Floor Cavity Reflectance = 20%										
RCR	Zonal Cavity Method – Effective Floor Cavity Reflectance = 20%										
0	119	119	119	119	116	116	111	111	106	106	100
1	110	106	103	99	104	98	100	95	96	92	87
2	102	94	89	84	93	83	89	81	86	79	75
3	94	84	77	71	83	71	80	69	77	68	65
4	86	76	68	62	74	61	72	60	70	59	57
5	80	68	60	54	67	54	65	53	63	52	50
6	74	62	53	48	61	47	59	47	57	47	44
7	69	56	48	42	56	42	54	42	53	42	40
8	64	52	44	38	51	38	50	38	48	38	36
9	60	48	40	35	47	34	46	34	45	34	32
10	57	44	36	31	44	31	43	31	42	31	29

### Candlepower

Angle	Mean CP	Lumens
0	282	
5	280	27
10	276	
15	269	76
20	259	
25	247	113
30	230	
35	209	119
40	184	
45	157	89
50	129	
55	101	48
60	74	
65	49	20
70	28	
75	18	5
80	12	
85	4	0
90	0	

### Zonal Lumens and Percentages

Zone	Lumens	% Luminaire
0-30	215	34.4%
0-40	344	55.0%
0-60	522	83.6%
0-90	625	100.0%

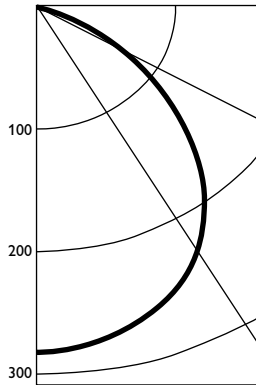
### Single Unit Data

Height to Lighted Plane	Initial Footcandles	Beam Diameter
5'	11	6.0'
6'	8	7.2'
7'	6	8.4'
8'	4	9.6'
9'	3	10.8'

### Multiple Unit Data

Spacing On Ctr.	Initial Footcandles	Watts/Sq. Ft.
5'	26.2	0.35
6'	17.2	0.23
7'	12.3	0.17
8'	10.2	0.14
9'	8.2	0.11

38' x 38' x 10' Room, Workplane 2 1/2' above floor, 80/50/20% Reflectances



© 2013 Koninklijke Philips N.V. All rights reserved.  
 Specifications are subject to change without notice.  
[www.philips.com/luminaires](http://www.philips.com/luminaires)

CP430K6 08/13 page 2 of 2

Philips Lighting  
 A division of Philips North America  
 200 Franklin Square Drive  
 Somerset, NJ 08873  
 Phone: 855-486-2216

Philips Lighting  
 A division of Philips Canada  
 281 Hillmount Road  
 Markham ON, Canada L6C 2S3  
 Phone: 800-668-9008