



# PAR30S LED Retail Optic Lamps with AirFlux Technology

12PAR30S/END/F36 2700 AF RO 6/1

Philips PAR30S LED Retail Optic Lamps with AirFlux Technology provide superior lighting aesthetics and optimal thermal efficiency in a sleek, lightweight design.

## Product data

### • General Characteristics

Cap-Base	E26
Bulb	PAR30S [PAR30S mm]
Rated Avg. Life (Hours)	45000 hr
Rated Lifetime (years)	41.1 an

### • Light Technical Characteristics

Color Code	WW
Color Designation	Warm White
Beam Angle	36 D
Beam Description	36D [Medium beam]
Correlated Color Temperature	2700 K
CRI	81
Color Temp. (Kelvin)	2700 K [CCT 2700K]
Rated Luminous Flux	850 Lm

### • Electrical Characteristics

Wattage	12 W
Wattage Technical	12 W
Voltage	120 V
Line Frequency	60 Hz
Power Factor	0.97 -

Lamp Current mA	119 mA
Dimmable	No
Wattage Equivalent	75 W

### • Measuring Conditions

Switching cycle	20000x
-----------------	--------

### • Product Dimensions

Overall Length C	93 mm
Overall Length C [inch]	3.661 (max) in
Diameter D	92 mm

### • Product Data

Product number	426956
Full product name	12PAR30S/END/F36 2700 AF RO 6/1
Short product name	12PAR30S/END/F36 2700 AF RO 6/1
Pieces per Sku	1
eop_pck_cfg	6
Skus/Case	6
Bar code on pack	46677426958
Bar code on case	50046677426953
Logistics code(s)	929000235704
eop_net_weight_pp	0.310 kg

## Warnings and Safety

- Suitable for use in damp locations.

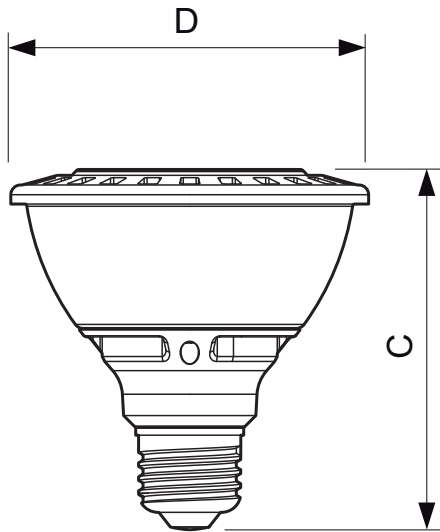
- Not for use in totally enclosed luminaires.
- Before replacing, turn off power and let lamp cool to avoid electrical shock or burn.



**PHILIPS**

# PAR30S LED Retail Optic Lamps with AirFlux Technology

## Dimensional drawing



E26

### 12PAR30S/END/F36 2700 AF RO 6/1

Product	C (Norm)	C1 (Max)	D (Norm)	D1 (Norm)
LED 12W E26 2700K 120V PAR30S 36D 93	93	3.661	92	3.622



© 2013 Koninklijke Philips N.V. (Royal Philips)  
All rights reserved.

Specifications are subject to change without notice. Trademarks are the property of Koninklijke Philips N.V. (Royal Philips) or their respective owners.

[www.philips.com/lighting](http://www.philips.com/lighting)

2013, June 21  
data subject to change