

Shallow profile aesthetically pleasing and simple to use.

CSW48 CUBELITE LED LINEAR SURFACE LUMINAIRE



PHILIPS DAY-BRITE / PHILIPS CFI, 4' LENGTH, 4" WIDE,
4 3/4" DEEP SURFACE LUMINAIRE, LED, CS SERIES

Smooth opal or prismatic acrylic lens offers a diffused illumination.
Ideal for corridor, stairwell, or vanity applications.

Project: _____
Location: _____
Catalog No: _____
Fixture Type: **Linear Surface Luminaire**
Mfg: **Philips Day-Brite** Lamps: **LED** Qty: _____
Notes: _____

Ordering guide

example: CSW48-4740ULAGZO

Series	Length	Lumens ¹	Color	Voltage	Driver	Lens	Options
CSW	48 -	<input type="checkbox"/>	<input type="checkbox"/>	<input type="checkbox"/>	<input type="checkbox"/>	<input type="checkbox"/>	<input type="checkbox"/>
CSW Cubelite Surface Luminaire	48 48" lamp/ fixture	28 2800lm 47 4700lm	40 4000K 35 3500K	U Universal 120/277V 120 120V 3 347V	LAG LED driver DZT 0-10V dimming SZT 100/40 step dimming	ZO Opal acrylic VB Prismatic DB Prismatic 50% DR	B Black Painted housing 9 Tamper Resistant ² K Pull Chain Right ³ L Pull Chain Left ³ CO Convenience outlet (120V) EM Integral emergency driver, 1100lm nominal

1. Nominal value.

2. Order TR15 Torx-head screws with **DB** lens.

3. Pull Chain options **K** and **L** are available in 120V only.

Features

- Only 4 3/4" deep.
- Delivers up to 4700lm per 4' (nominal) length.
- Individual or continuous row mounting.
- Ideal for corridors, washrooms, storage areas, and stairwells.
- Can be used in conjunction with occupancy sensors.
- Convenience outlet optional (CO).
- Spring-loaded end cap.
- Long life LEDs provide 50,000 hours of lumen maintenance free life (L70).
- Can be wall or ceiling mounted.
- Fully enclosed wiring and LED diodes.
- Right (**K**) or left (**L**) pull chain options are available for 120V configurations only.
- White painted housing standard.
Black painted (**B**) housing optional

Materials

Chassis parts are die-formed heavy gauge cold rolled steel.

Finish

Baked white acrylic enamel, phosphate undercoating.

Lens

Three available lenses with extruded virgin acrylic diffuser:

- Smooth opal acrylic diffuser (**ZO**) with 0.060" thickness and 50% DR content. Provides maximum comfort from pixelated glare.
- Clear prismatic lens (**VB**) with 0.125" thickness .
- Prismatic lens (**DB**) with 50% DR.

Replacement Lenses: LN11665 (4' ZO), LN16784 (4' VB), LN26214 (4' DB)

Electrical

LED boards and drivers are RoHS (Restriction of Hazardous Substances) compliant. Predicted L70 lifetime based on LED manufacturer's supplied LM-80 data and in-situ laboratory testing.

Options and Accessories

Continuous Row Mounting:

Order luminaire coupler
CSWCPL (White) or CSBCPL (Black)

Labels

cETLus listed. Suitable for damp locations.

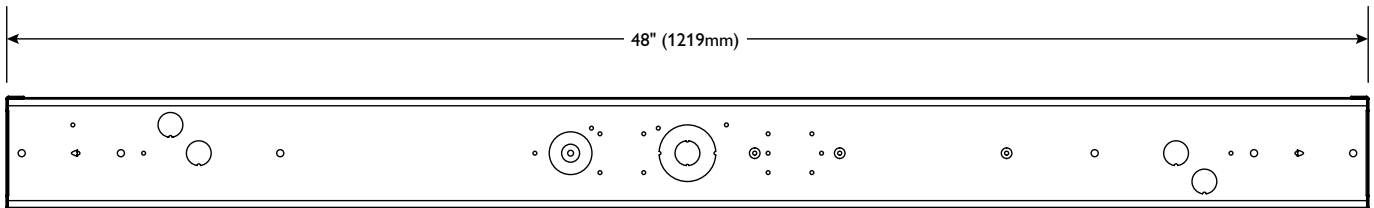
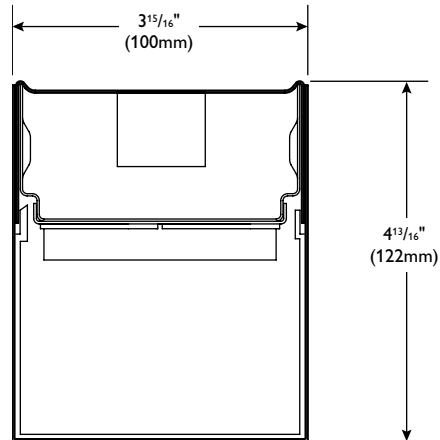


PHILIPS
Day-Brite

PHILIPS
CFI

CSW48
CUBELITE LED
LINEAR SURFACE
LUMINAIRE

Dimensions



CSW48 CUBELITE LED LINEAR SURFACE LUMINAIRE

2800lm Performance

Catalog No. CSW48-2840ULAGZO

Lumen Package: 2800

Report Number¹: C12042

Catalog Number: CSW48-2840ULAGZO

Delivered Lumens: 2751

Color: 4000K

Input Watts: 31.0

Efficacy: 88.7 lm/w

Lamp: LED

Luminaire: Cubelite 4' Fixture with (ZO) Opal Lens

CIE Type: Direct

Plane: 0° 90°

Spacing Criteria: 1.5 1.5

Plane: 0° 90°

Luminous Length: 4.000 48.000

Candela Distribution

Angle	0.0	45.0	90.0	Zonal Lumens
0	504	504	504	
5	503	513	495	49
15	485	519	511	144
25	451	510	517	230
35	401	488	505	296
45	339	451	476	332
55	264	396	431	334
65	180	326	371	299
75	91	246	301	236
85	15	176	237	172
90	2	161	223	
95	2	159	219	150
105	2	155	211	141
115	3	143	196	122
125	3	125	175	98
135	3	104	150	71
145	4	80	119	45
155	4	53	83	23
165	4	27	44	8
175	4	7	11	1
180	5	5	5	

1. Tested using absolute photometry as specified in LM79: IESNA Approved Method for the Electrical and Photometric Measurements of Solid-State Lighting Products.

2. Total efficiency.

Coefficients of Utilization

Ceiling	80%			50%			30%			
	70	50	30	50	30	10	50	30	10	
Wall										
RCR	Zonal Cavity Method									
Room Cavity Ratio	1	101	96	91	83	79	76	75	72	69
	2	91	83	76	71	66	61	64	60	56
	3	83	72	63	62	56	51	56	51	47
	4	76	64	55	55	48	43	50	44	40
	5	69	56	47	49	42	37	44	38	34
	6	64	50	41	44	37	31	40	34	29
	7	58	45	36	39	32	27	35	29	25
	8	54	40	32	35	28	23	32	26	22
	9	50	36	28	32	25	20	29	23	19
	10	46	33	25	29	22	18	27	21	17

Effective Floor Cavity Reflectance = 0.20

Luminaire Data in Candela/Sq. Meter

Average in Degrees	Average 0°	Average 45°	Average 90°
45	3869.	5165.	5450.
55	3721.	5591.	6093.
65	3430.	6245.	7104.
75	2829.	7693.	9408.
85	1417.	16386.	22023.

Zonal Lumen Summary²

Zone	Lumens	% Luminaire
0-30	423	15.38
0-40	719	26.13
0-60	1385	50.34
0-90	2092	76.06
40-90	1374	49.93
60-90	708	25.72
90-180	659	23.94
0-180	2751	100.00

4700lm Performance

Catalog No. CSW48-4740ULAGZO

Lumen Package: 4700

Report Number¹: C12045

Catalog Number: CSW48-4740ULAGZO

Delivered Lumens: 4700

Color: 4000K

Input Watts: 52.1

Efficacy: 90.2 lm/w

Lamp: LED

Luminaire: Cubelite 4' Fixture with (ZO) Opal Lens

CIE Type: Direct-Indirect

Plane: 0° 90°

Spacing Criteria: 1.5 1.5

Plane: 0° 90°

Luminous Length: 4.000 48.000

Candela Distribution

Angle	0.0	45.0	90.0	Zonal Lumens
0	843	843	843	
5	841	858	830	82
15	811	868	860	241
25	753	856	872	386
35	670	821	856	497
45	566	760	811	561
55	441	669	739	565
65	300	554	639	510
75	151	422	523	406
85	25	305	417	298
90	2	281	392	
95	4	277	385	262
105	4	269	371	246
115	5	249	345	214
125	6	217	310	171
135	7	183	266	125
145	8	140	212	80
155	9	94	148	41
165	9	49	79	14
175	10	14	21	2
180	10	10	10	

1. Tested using absolute photometry as specified in LM79: IESNA Approved Method for the Electrical and Photometric Measurements of Solid-State Lighting Products.

2. Total efficiency.

Coefficients of Utilization

Ceiling	80%			50%			30%			
	70	50	30	50	30	10	50	30	10	
Wall										
RCR	Zonal Cavity Method									
Room Cavity Ratio	1	101	96	91	82	79	76	74	71	69
	2	91	83	75	71	66	61	64	60	56
	3	83	72	63	62	56	50	56	51	46
	4	76	63	54	55	48	43	50	44	40
	5	69	56	47	49	41	36	44	38	34
	6	63	50	41	43	36	31	39	33	29
	7	58	44	36	39	31	26	35	29	24
	8	54	40	32	35	28	23	32	26	21
	9	50	36	28	32	25	20	29	23	19
	10	46	33	25	29	22	18	26	20	16

Effective Floor Cavity Reflectance = 0.20

Luminaire Data in Candela/Sq. Meter

Average in Degrees	Average 0°	Average 45°	Average 90°
45	6461.	8711.	9290.
55	6212.	9456.	10441.
65	5721.	10611.	12257.
75	4709.	13169.	16386.
85	2334.	28301.	38736.

Zonal Lumen Summary²

Zone	Lumens	% Luminaire
0-30	709	15.09
0-40	1207	25.67
0-60	2333	49.63
0-90	3546	75.44
40-90	2339	49.76
60-90	1213	25.81
90-180	1155	24.56
0-180	4700	100.00



© 2014 Koninklijke Philips N.V. All rights reserved. Specifications are subject to change without notice. www.philips.com/luminaires

Philips Lighting
North America Corporation
200 Franklin Square Drive
Somerset, NJ 08873
Phone: 855-486-2216

Philips Lighting Company
281 Hillmount Road
Markham ON, Canada L6C 2S3
Phone: 800-668-9008