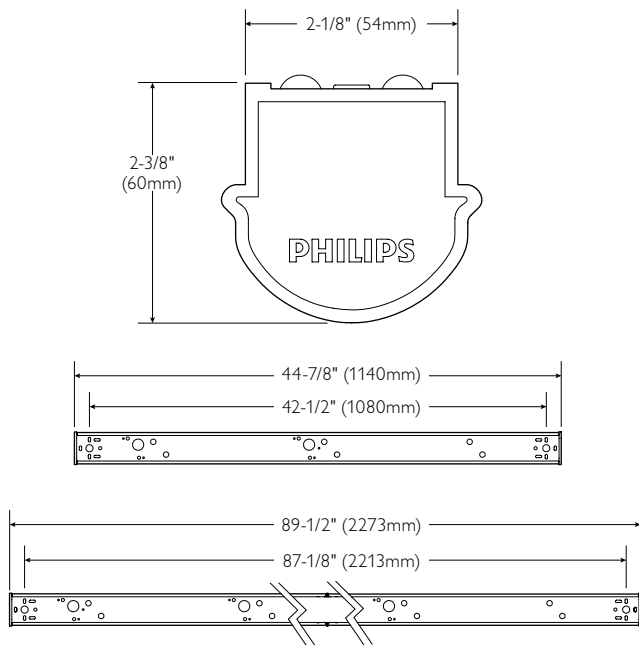


Job name	Catalog number
Type	Notes



Ordering information

Family	Length	Lens	Lumens ¹	Colour	Voltage	Driver	Options
LF		FL					
Fluxstream	4 4' length	FR 100% Frost	31 3100 lumens ²	40 4000K	U Universal	LAG LED driver	Add suffix to catalog no.
	8 8' length (Nominal)	10 10% Frost	39 3900 lumens ²	35 3500K	120-277v	DZT 0-10v dimming	
			41 4100 lumens ³ (Nominal)		3 347v		

¹ Lumen package per 4' nominal length
² Only available with (FR) 100% frost lens option.
³ Only available with (10) 10% frost lens option.

Features

- Sleek and compact design ideal for installation in tight spaces
- Rugged 100% frost acrylic lens shields LEDs from direct view
- Capable of providing 3900 lm per 4' (nominal) length with 100% frost lens
- High lumen package with 10% frost lens provides up to 4100 lm per 4' (nominal) length
- Long life LEDs provide 50,000 hours of maintenance free system life (L₈₀)
- Variety of mounting options for installation flexibility
- Wall mountable – ADA compliant
- Snap in LED pan and single grounding screw for easy installation
- Row mountable with continuous row joiner
- 3900 lm package version capable of providing similar light levels to a 2-28W T5 strip while using 33% less energy
- Dimming and motion detector options available
- Suitable for installation in refrigerated areas (down to -20°C)
- Enclosed lens prevents penetration of dust, insects and other debris into the lamp compartment.
- 8' unit available
- Fully enclosed wiring and LED diodes
- 80+ CRI and excellent color consistency



Job name	Catalog number
Type	Notes

Specifications

Materials: Heavy gauge cold rolled steel housing and LED pan. ABS moulded end caps.

Finish: Baked white acrylic matte high reflectance paint finish

Shielding: Contoured frosted acrylic lens

Electrical: LED boards and drivers are RoHS (Restriction of Hazardous Substances) compliant. 0-10V dimming available. For other dimming options, consult factory. Total system life rated at 50,000 hours (L₈₀). Maximum ambient temperature of 25°C when surface mounted or 30°C when suspended. Suitable for cold locations - minimum ambient temperature of -20°C. Predicted L₈₀ lifetime based on LED manufacturer's supplied LM-80 data and in-situ laboratory testing

Labels: ETL listed

Options & Accessories

Electrical wiring options: Consult factory

Mounting options & Accessories

Stem and Canopy Sets: Suspend the luminaire 12", 18", 24", 36" or 48" from surface. Two per luminaire is recommended. Order catalogue number: **SV5F12** (12"), **SV5F18** (18"), **SV5F24** (24"), **SV5F36** (36"), **SV5F48** (48")

Chain Hanging Kit: Includes two 5' heavy duty link chains with sturdy "V" hook for fixture suspension: Order catalogue number: **EE9HC**

Aircraft Cable Kit: Power feed cable and canopy kit (adjustable 6" - 60") – order catalogue number: **SVCC60-UNV** (120/277V) or **SVCC60-347** (347V). Cable and canopy kit (adjustable 6" - 60") – order catalogue number: **SVC60**

Continuous Row Joiner: Required for row mounting. Number of joiners required per row is equal to one less than the number of luminaires per row. Order catalogue number: **LFCPL**

Motion Sensor: Field installed via 7/8" knock-out on end cap. Order catalogue number **FH360-120** (120V), **FH360-277** (277V), **FH360-347** (347V). Consult FH360 spec sheet for more information.

Wireguard: Order catalogue number: **LF4WGW** (white)

Lens Replacement: Order catalogue number: **LF4LNFR** (100% frost), **LF4LN10** (10% frost)

Emergency options: Consult factory – remote mounted.

Photometry – Lumen package 4100

Report number ¹ :	C12188	
Catalog number:	LF4104140ULAG	
Delivered lumens:	4129	
Color:	4000K	
Input watts:	40.5	
Efficacy:	102.0 lm/w	
Lamp:	LED	
Luminaire:	FluxStream 4' fixture with 10% frost lens.	
CIE Type:	Direct	
Plane:	0-Deg.	90-Deg.
Spacing criteria:	1.3	1.2
Plane:	0-Deg.	90-Deg.
Luminous length:	2.125	44.875

Candela distribution

Vertical Angle	Horizontal Angle			Zonal Lumens
	0°	45°	90°	
0	1265	1265	1265	
5	1255	1272	1236	122
15	1195	1222	1192	341
25	1077	1121	1110	511
35	912	982	990	605
45	716	816	842	615
55	512	632	676	548
65	324	454	507	432
75	170	303	359	301
85	52	188	242	185
90	6	145	196	
95	3	109	158	105
105	3	60	100	58
115	3	14	56	21
125	3	12	4	10
135	3	13	11	8
145	3	9	15	5
155	2	5	10	3
165	2	3	3	1
175	2	2	2	0
180	2	2	2	

Coefficients of utilization

Ceiling	80%			50%			30%			
	70	50	30	50	30	10	50	30	10	
Wall	Zonal Cavity Method									
RV	Effective Floor Reflectance = 20%									
Room Cavity Ratio	1	109	104	100	97	94	92	93	91	89
	2	100	92	86	86	82	77	83	79	75
	3	91	82	74	77	71	66	74	69	64
	4	84	73	65	69	62	57	67	61	56
	5	78	65	57	62	55	49	60	54	49
	6	72	59	50	56	48	43	54	47	42
	7	66	52	44	50	42	37	48	42	37
	8	61	48	39	45	38	33	44	37	33
	9	56	43	35	41	34	29	40	33	29
	10	52	39	31	38	31	26	37	30	25

Zonal lumen summary*

Zone	Lumens	% Luminaire
0- 30	1109	26.86
0- 40	1818	44.03
0- 60	3211	77.76
0- 90	4063	98.40
40- 90	2245	54.37
60- 90	852	20.64
90-180	66	1.60
0-180	4129	100.00

*Total Efficiency

¹ Tested using absolute photometry as specified in LM79: IESNA Approved Method for the Electrical and Photometric Measurements of Solid-State Lighting Products.

Avg. Luminance (cd/m²)

Vertical Angle	Horizontal Angle		
	0°	45°	90°
45	23302.	24253.	23586.
55	21354.	23345.	22746.
65	17550.	21514.	20989.
75	12144.	18672.	18502.
85	6012.	21234.	21037.



Job name	Catalog number
Type	Notes

Photometry – Lumen package 3900

Report number¹: C12167
 Catalog number: LF4FR3940ULAG
 Delivered lumens: 3870
 Color: 4000K
 Input watts: 40.1
 Efficacy: 96.5 lm/w
 Lamp: LED
 Luminaire: FluxStream 4' fixture with 100% frost lens.
 CIE Type: Direct
 Plane: 0-Deg. 90-Deg.
 Spacing criteria: 1.2 1.2
 Plane: 0-Deg. 90-Deg.
 Luminous length: 2.125 44.875

Candela distribution

Vertical Angle	Horizontal Angle			Zonal Lumens
	0°	45°	90°	
0	1265	1265	1265	
5	1255	1272	1236	122
15	1195	1222	1192	341
25	1077	1121	1110	511
35	912	982	990	605
45	716	816	842	615
55	512	632	676	548
65	324	454	507	432
75	170	303	359	301
85	52	188	242	185
90	6	145	196	
95	3	109	158	105
105	3	60	100	58
115	3	14	56	21
125	3	12	4	10
135	3	13	11	8
145	3	9	15	5
155	2	5	10	3
165	2	3	3	1
175	2	2	2	0
180	2	2	2	

Coefficients of utilization

Ceiling	80%			50%			30%			
	70	50	30	50	30	10	50	30	10	
Wall	Zonal Cavity Method									
RC	Effective Floor Reflectance = 20%									
RW										
Room Cavity Ratio	1	107	102	98	94	91	88	89	86	84
	2	97	89	82	82	77	73	78	74	70
	3	89	79	71	73	67	62	70	64	60
	4	82	70	61	65	58	53	62	56	51
	5	75	62	53	58	50	45	55	49	44
	6	69	56	47	52	45	39	50	43	38
	7	63	50	41	47	39	34	45	38	33
	8	59	45	36	42	35	30	41	34	29
	9	54	41	32	38	31	26	37	30	25
	10	50	37	29	35	28	23	33	27	22

Zonal lumen summary*

Zone	Lumens	% Luminaire
0-30	974	25.16
0-40	1579	40.81
0-60	2742	70.86
0-90	3659	94.55
40-90	2080	53.74
60-90	917	23.69
90-180	211	5.45
0-180	3870	100.00

*Total Efficiency

¹ Tested using absolute photometry as specified in LM79: IESNA Approved Method for the Electrical and Photometric Measurements of Solid-State Lighting Products.

Avg. Luminance (cd/m²)

Vertical Angle	Horizontal Angle		
	0°	45°	90°
45	17826.	20399.	21062.
55	15710.	19492.	20844.
65	13501.	19007.	21223.
75	11548.	20621.	24541.
85	10428.	38152.	49146.

Photometry – Lumen package 3100

Report number¹: C12185
 Catalog number: LF4FR3140ULAG
 Delivered lumens: 3132
 Color: 4000K
 Input watts: 31.0
 Efficacy: 101.0 lm/w
 Lamp: LED
 Luminaire: FluxStream 4' fixture with 100% frost lens.
 CIE Type: Direct
 Plane: 0-Deg. 90-Deg.
 Spacing criteria: 1.2 1.2
 Plane: 0-Deg. 90-Deg.
 Luminous length: 2.125 44.875

Candela distribution

Vertical Angle	Horizontal Angle			Zonal Lumens
	0°	45°	90°	
0	1027	1027	1027	
5	1020	1033	1002	99
15	971	993	968	277
25	875	912	901	415
35	739	798	804	492
45	579	661	684	499
55	412	512	550	444
65	260	367	412	349
75	135	244	292	242
85	40	151	197	148
90	4	116	160	
95	1	87	129	84
105	1	48	83	47
115	1	10	45	16
125	1	9	3	7
135	1	10	10	6
145	1	7	13	4
155	1	4	8	2
165	1	2	3	1
175	2	2	1	0
180	1	1	1	

Coefficients of utilization

Ceiling	80%			50%			30%			
	70	50	30	50	30	10	50	30	10	
Wall	Zonal Cavity Method									
RC	Effective Floor Reflectance = 20%									
RW										
Room Cavity Ratio	1	107	102	98	94	91	88	89	87	84
	2	97	89	83	82	77	73	78	74	70
	3	89	79	71	73	67	62	70	65	60
	4	82	70	61	65	58	53	62	56	52
	5	75	62	53	58	51	45	55	49	44
	6	69	56	47	52	45	39	50	43	38
	7	64	50	41	47	39	34	45	38	33
	8	59	45	37	42	35	30	41	34	29
	9	54	41	32	38	31	26	37	30	25
	10	50	37	29	35	28	23	33	27	22

Zonal lumen summary*

Zone	Lumens	% Luminaire
0-30	791	25.26
0-40	1283	40.96
0-60	2225	71.06
0-90	2964	94.65
40-90	1682	53.69
60-90	739	23.59
90-180	168	5.35
0-180	3132	100.00

*Total Efficiency

¹ Tested using absolute photometry as specified in LM79: IESNA Approved Method for the Electrical and Photometric Measurements of Solid-State Lighting Products.

Avg. Luminance (cd/m²)

Vertical Angle	Horizontal Angle		
	0°	45°	90°
45	14426.	16537.	17114.
55	12664.	15782.	16940.
65	10836.	15368.	17249.
75	9194.	16591.	19951.
85	8003.	30534.	40026.



Philips CFI
 3015 Louis-Amos, Lachine, Québec, H8T 1C4
 e. canlyte-info@philips.com
 t: (514) 636-0670
 w: www.canlyte.com

FluxStream_LF December 11, 2012

Specifications are subject to change without notice.
 © Koninklijke Philips Electronics N.V., 2012. All rights reserved.

