

**PHILIPS
LIGHTOLIER**



Downlighting

LyteCaster

3" Accent round shower light
800 Lumens



Project: _____
 Location: _____
 Cat.No: _____
 Type: _____
 Lamps: _____ Qty: _____
 Notes: _____

Philips Lightolier LyteCaster LED Accent shower light features a 3.5" luminaire height that conserves plenum space. The modular and interchangeable light engine allows for an easy future upgrade. The accent shower light is wet location listed and comes in 2 standard finish options.

Complete product = Frame-in kit + Light engine + Trim Order each separately

Ordering guide: Frame-In kit

Example: L3AE1

Series	Frame type	Dimming	Input voltage
L3	<input type="checkbox"/>	<input type="checkbox"/>	<input type="checkbox"/>
L3 LyteCaster 3" Accent	A AirSeal IC, New Construction, Screw AN AirSeal IC, New Construction, Nail C Remodeler Non-IC	E ELV/Triac dimming	1 120V
	N New Construction Non-IC	Z10 0-10V	U Universal (120-277V)

Ordering guide: Light engine

Example: L308830NF

Series	Lumens	CRI	CCT	Beam	Option
L3	08	<input type="checkbox"/>	<input type="checkbox"/>	<input type="checkbox"/>	<input type="checkbox"/>
L3 LyteCaster 3" Accent	08 800	8 80	27 2700K 30 3000K 35 3500K	S Spot, 43° NF Narrow flood, 44° F Flood, 50°	
		9 90	27 2700K 30 3000K ¹	S Spot, 43° NF Narrow flood, 44° F Flood, 50°	CW CrispWhite ¹

Ordering guide: Round trim

Example: L3RSA

Series	Shape	Luminaire type	Finish	Flange
L3	R	S	<input type="checkbox"/>	<input type="checkbox"/>
L3 LyteCaster 3" Accent	R Round	S Shower light		W White A Aluminum

1. 3000K and CrispWhite must be ordered together.



L3RS LyteCaster 3" Round

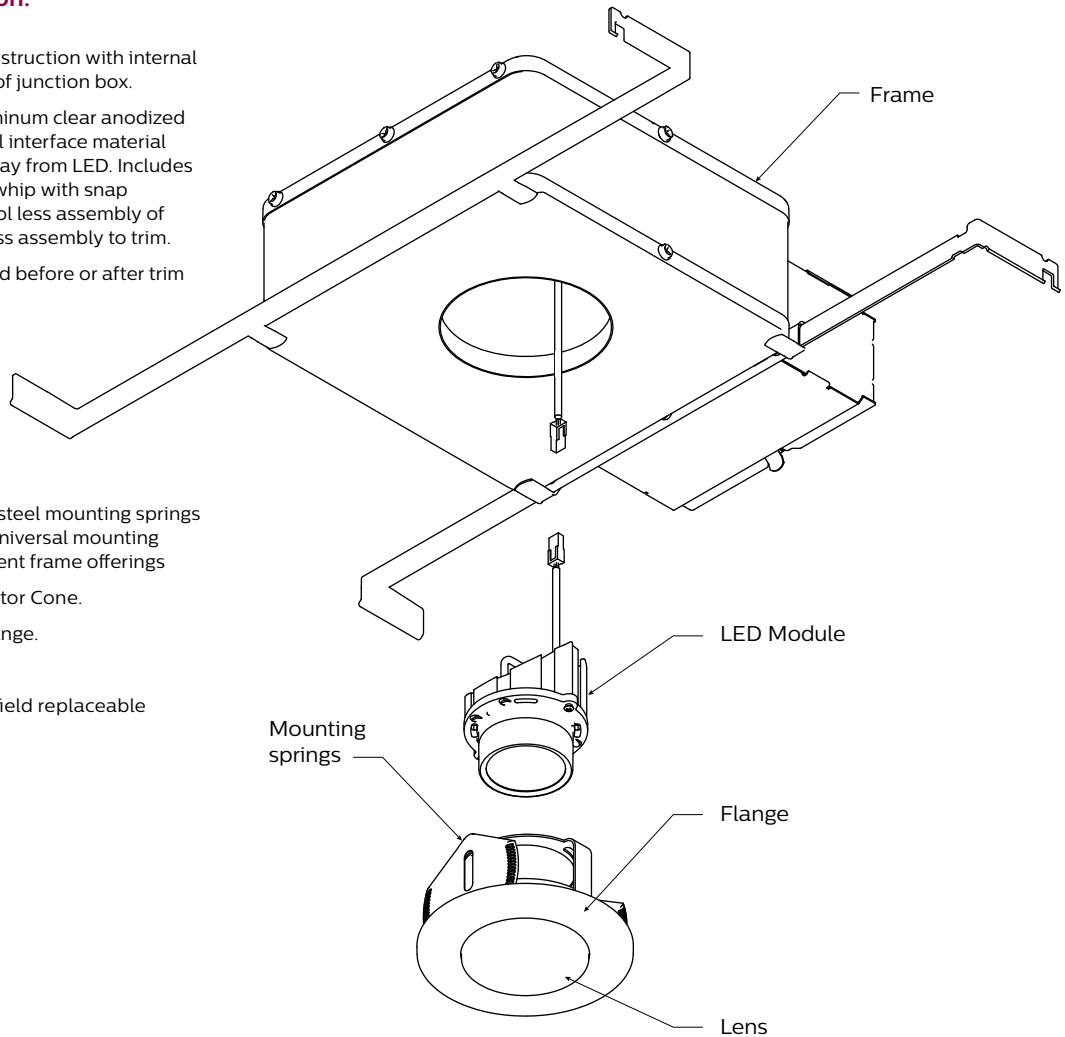
General purpose accent shower light, 800 lumens

Assembled configuration:

1. Frame Galvanized steel construction with internal access door for inspection of junction box.
2. LED Module Extruded Aluminum clear anodized finish heat sink with thermal interface material efficiently transfers heat away from LED. Includes strain relieved low voltage whip with snap interconnector for quick, tool less assembly to trim.
3. LED Module can be installed before or after trim installation.

4. Mounting springs stainless steel mounting springs min 0.013" thick provide a universal mounting solution between the different frame offerings
5. Reflector: Aluminum Reflector Cone.
6. Die Cast Aluminum Trim Flange.
7. Lens: Frosted Glass

Note: LED module allows for field replaceable optics. Order separately.

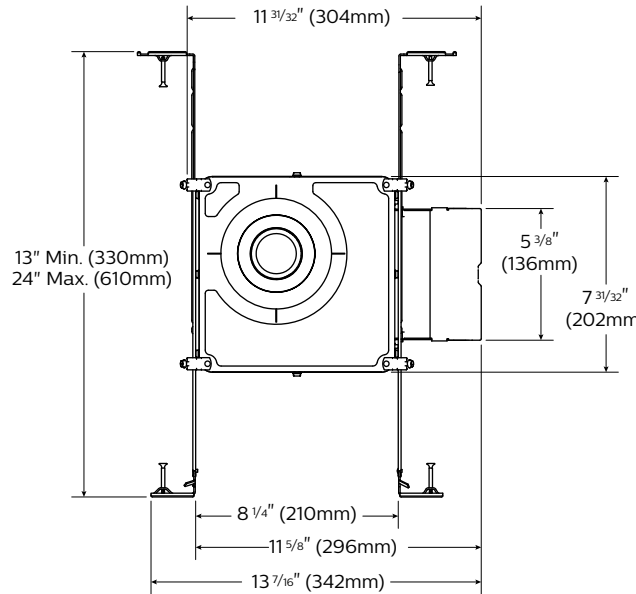


L3RS LyteCaster 3" Round

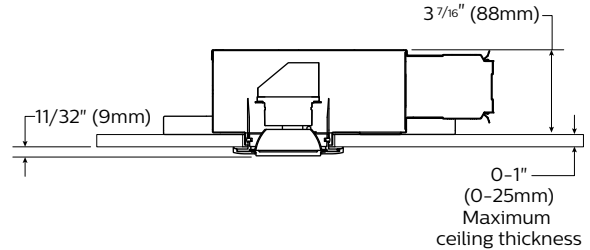
General purpose accent shower light, 800 lumens

L3AE1 & L3ANE1 new construction in IC AirSeal frame-in kits

Bottom view

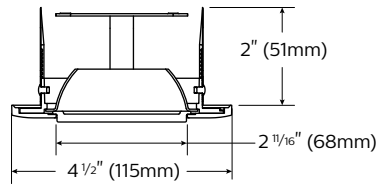


Side view

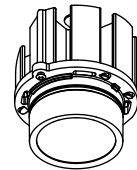


Round trim

Side view



Light engine



Features

- Housing:** #23 ga. (.026") thick Galvanized steel. cULus listed for direct contact with thermal insulation (IC rated). AirSeal housing minimizes air leakage to less than 2 CFM at 1.57PSF (or 75PA), which complies with Title 24, the International Energy Conservation Code, and Washington State Energy Code (Section 502.4). This helps to reduce heat loss and condensation in ceiling. Internal access door for inspection of junction box.
- Lower frame and top cover:** #23 ga. (.026") thick Galvanized steel. Accommodates ceilings up to 1" (25.4 mm) thick. Bottom cover provided with a .5" (6.2mm) lip and 4 embossed indicator lines to simplify alignment during installation. Housing can be locked into position on the mounting bars with locking screws.
- Junction box:** 2 1/2" (64mm) x 5 3/8" (137mm) x 2" (51mm) #21 ga. (.032") thick galvanized steel. cULus listed 90 degrees C rated supply conductors. Rated for branch circuit wiring supplying connected luminaires (daisy chaining).
- Mounting bars:** #16 ga. (.059") thick galvanized steel. Bars pivot for easy attachment and wire in from below the ceiling line. Bars can extend to accommodate 16" (406mm) to 24" (610mm) O.C. joist spacing. Bars can accommodate 12" (305mm) O.C. joist spacing after slight field modification (see instruction sheet). Features integral self-tapping screw phillips/square drive for attachment to wood or metal construction. Also available with integral nails (N). Attaches to T-bar ceilings without accessories. Bars installed on shortest dimension of frame can be easily rotated 90° from original position.

Electrical

Input voltage 120v, Input freq.: 50/60 hZ, Input current .25 amps, Input Power 12W, Power factor >.9

Warranty

5 year limited warranty. (visit philips.com/warranties for details)

Labels

cULus type IC listed suitable for wet location. AirSeal.

- Electronic dimming driver:** Class 2 electronic LED Driver, with less than 1 second start up, RoHS compliant, suitable for damp locations. 120v 50/06Hz >.9 power factor. Sound rating Class "A" (<24dB). Complies with FCC,CFR title 47 part 15 Class A for EMI/RFI. Dimmable with standard electronic low voltage (ELV) & Triac dimmers. Dims to less than or equal to 10% of relative high output. 5 year limited warranty.
- Ceiling cutout:** 3 3/4" diameter.

Options and Accessories

For fire rated box accessory, use Fireline:

16FR2X10	16" on center 2x10 construction
16FR2X6	16" on center 2x6 construction

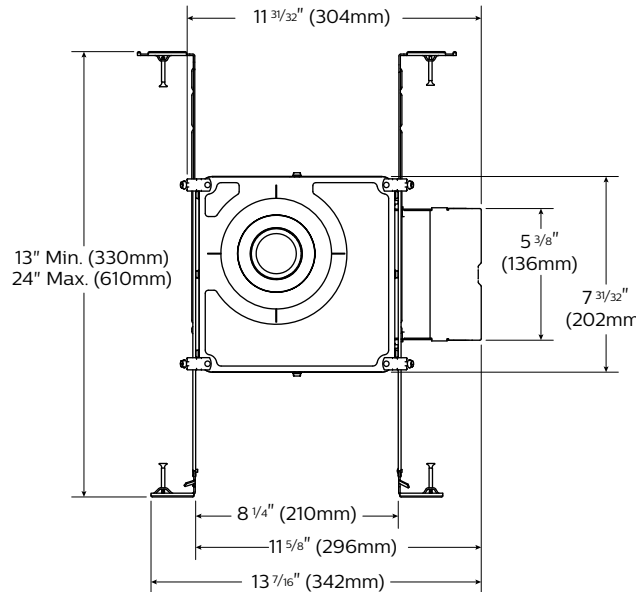
See Fireline spec sheets for more information.

L3RS LyteCaster 3" Round

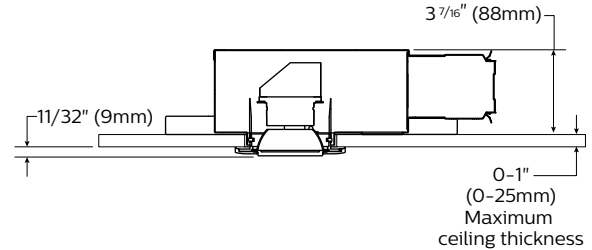
General purpose accent shower light, 800 lumens

L3NZ10V New construction non IC 0-10V frame-in kit

Bottom view

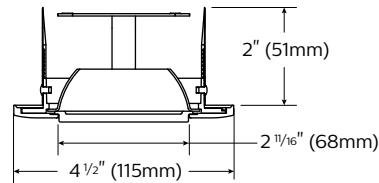


Side view

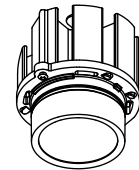


Round trim

Side view



Light engine



Features

- Non-IC housing:** #23 ga. (.026") thick Galvanized steel. cULus listed for damp locations. AirSeal housing minimizes air leakage to less than 2CFM at 1.57 PSF (or 75PA), complies with Title 24, International Energy Conservation Code, and Washington State Energy Code (section 502.4) Frame provided with internal access door for inspection of junction box.
- Lower frame and top cover:** #23 ga. (.026 ") thick Galvanized steel. Accommodates ceilings up to 1" (25.4 mm) thick. Bottom cover provided with a .5" (6.2mm) lip and 4 embossed indicator lines to simplify alignment during installation. Housing can be locked into position on the mounting bars with locking screws.
- Junction box:** $2\frac{1}{2}$ " (64mm) x $5\frac{3}{8}$ " (137mm) x 2" (51mm) #21 ga. (.032") thick galvanized steel, cULus listed 90 degrees C rated supply conductors. Rated for branch circuit wiring supplying connected luminaires (daisy chaining).
- Mounting bars:** #16 ga. (.059") thick galvanized steel. Bars pivot for easy attachment and wire in from below the ceiling line. Bars can extend to accommodate 16" (406mm) to 24" (610mm) O.C. joist spacing. Bars can accommodate 12" (305mm) O.C. joist spacing after slight field modification. (see instruction sheet) Features integral self-tapping screw phillips/square drive screws for attachment to wood or metal construction. Attaches to T-bar ceilings without accessories. Bars installed on shortest dimension of frame can be easily rotated 90° from original position.
- Electronic dimming driver:** Class 2 electronic LED driver, RoHS compliant, suitable for damp location. 120/277v 50/06Hz >.9 power factor. MTP (module thermal protection) current cutback up to 10% to prevent overheating. Sound rating Class "A" (<24dB). Complies with FCC, CFR title 47 part 15 Class B for EMI/RFI. Dimming Protocol (0-10v). Dims to less than or equal to 10% of relative high output.
- Ceiling cutout:** $3\frac{3}{4}$ " diameter.

Electrical

Input voltage: 120/277, input freq.:50/60Hz. Input current .14A/.06A Input Power 16.4W. Power factor >.9

Warranty

5 year limited warranty. (visit philips.com/warranties for details)

Labels

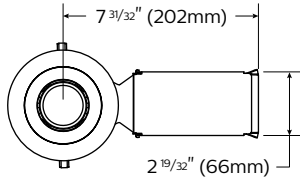
cULus listed suitable for wet location. AirSeal. Inherently Protected. IP rated.

L3RS LyteCaster 3" Round

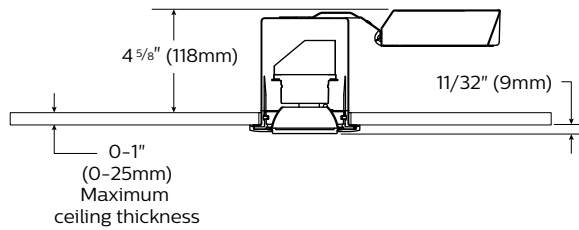
General purpose accent shower light, 800 lumens

L3CE1 Non-IC Remodeler kit

Bottom view

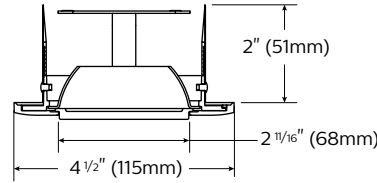


Side view

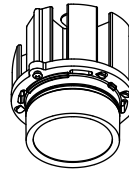


Round trim

Side view



Light engine



Features

- Non-IC housing:** #25 ga. (.025") thick Galvanized steel. Provided with 2 plates steel retaining springs that can accommodate ceiling thickness up to 1" (25.4mm) thick. Philips screw driver required to tighten springs that secure housing to ceiling.
- Junction box:** #22 ga. (.034") thick Galvanized steel. cULus, suitable for damp locations. Junction box assembly swivels for tight plenum spaces. Snap off cover permits wiring access.
- Electronic dimming driver** (same as new construction): Class 2 electronic LED Driver, with less than 1 second start up, RoHS compliant, suitable for damp locations. 120v 50/60Hz >.9 power factor. Sound rating Class "A" (<24dB). Complies with FCC, CFR title 47 part 15 Class B for EMI/RFI. Dimmable with standard electronic low voltage (ELV) & Triac dimmers. Dims to less than or equal to 10% of relative high output. 5 year limited warranty.
- Trim compatibility:** Not compatible with adjustable trims except for L3RG series Gimbals.
- Ceiling cutout** 3 3/4" diameter.

Electrical

Input voltage 120v, Input freq.: 50/60 hZ, Input current .25 amps, Input Power 12W, Power factor >.9

Warranty

5 year limited warranty. (visit philips.com/warranties for details)

Labels

cULus listed suitable for wet location, inherently protected (IP rated).

L3RS LyteCaster 3" Round

General purpose accent shower light, 800 lumens

Adjustment factors

Color temperature (CCT)

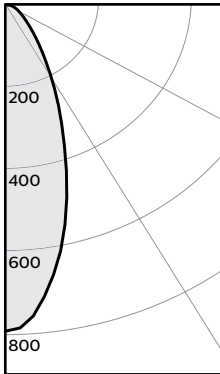
2700K = 88%
3000K = 96%
3500K = 100%

Color Rendering Index (CRI)

80 = 100%
90 = 85%
90 (CW) = 78%
Crisp White = 78%

Beam spread: Spot

Candela Curves



Angle	Mean CP	Lumens
0	790	
5	756	69
10	663	
15	551	152
20	427	
25	319	147
30	235	
35	169	107
40	123	
45	90	71
50	67	
55	52	47
60	41	
65	32	32
70	25	
75	19	21
80	14	
85	8	8
90	0	

Frame: L3NZ10U

Light engine: L308835S

Trim: L3RSA

Report no³: 543GFR

Output lumens: 654lm
 Input Watts¹: 11.8W
 Beam angle: 43°
 Spacing Criterion: 0.7

Efficacy: 55.4lm/W
 CCT²: 3500K
 CRI: ≥80

Single unit data

Height to Lighted Plane	Initial Center Beam Foot-Candles	Beam Dia. (ft)*
5'	32	3.5'
6'	22	4.2'
7'	16	4.9'
8'	12	5.6'
9'	10	6.3'

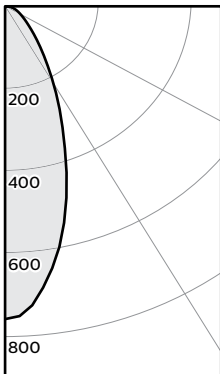
Zonal lumens & percentages

Zone	Lumens	%Luminaire
0-30	368	56.3%
0-40	475	72.7%
0-60	593	90.7%
0-90	654	100.0%

* Beam diameter is where foot-candles drop to 50% of maximum.

Beam spread: Narrow flood

Candela Curves



Angle	Mean CP	Lumens
0	757	
5	727	67
10	644	
15	543	150
20	428	
25	324	149
30	242	
35	176	112
40	129	
45	95	75
50	71	
55	55	50
60	43	
65	34	34
70	27	
75	20	22
80	14	
85	8	9
90	0	

Frame: L3NZ10U

Light engine: L308835NF

Trim: L3RSA

Report no³: 532GFR

Output lumens: 665lm
 Input Watts¹: 11.8W
 Beam angle: 44°
 Spacing Criterion: 0.7

Efficacy: 56.4lm/W
 CCT²: 3500K
 CRI: ≥80

Single unit data

Height to Lighted Plane	Initial Center Beam Foot-Candles	Beam Dia. (ft)*
5'	30	3.5'
6'	21	4.2'
7'	15	4.9'
8'	12	5.6'
9'	9	6.3'

Zonal lumens & percentages

Zone	Lumens	%Luminaire
0-30	366	55.0%
0-40	477	71.7%
0-60	601	90.3%
0-90	665	100.0%

* Beam diameter is where foot-candles drop to 50% of maximum.

1. Wattage: controlled to within ± 10%

2. Correlated Color Temperature: within specs as defined in ANSI_NEMA_ANSI C78.377-2008: Specifications for the Chromaticity of Solid State Lighting Products.

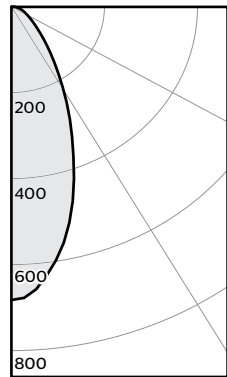
3. Tested using absolute photometry as specified in LM79: IESNA Approved Method for the Electrical and Photometric Measurements of Solid-State Lighting Products.

L3RS LyteCaster 3" Round

General purpose accent shower light, 800 lumens

Beam spread: Flood

Candela Curves



Angle	Mean CP	Lumens
0	683	
5	661	61
10	599	
15	521	144
20	426	
25	334	154
30	257	
35	191	121
40	142	
45	105	82
50	78	
55	60	54
60	46	
65	37	36
70	29	
75	22	23
80	15	
85	9	10
90	0	

Frame: L3NZ10U

Light engine: L308835F

Trim: L3RSA

Report no³: 524GFR

Output lumens: 684lm

Input Watts: 11.8W

Beam angle: 50°

Spacing Criterion: 0.8

Efficacy: 57.9lm/W

CCT²: 3500K

CRI: ≥80

Single unit data

Height to Lighted Plane	Initial Center Beam Foot-Candles	Beam Dia. (ft)*
5'	27	4.0'
6'	19	4.8'
7'	14	5.6'
8'	11	6.4'
9'	8	7.2'

Zonal lumens & percentages

Zone	Lumens	%Luminaire
0-30	359	52.5%
0-40	479	70.0%
0-60	615	89.9%
0-90	684	100.0%

* Beam diameter is where foot-candles drop to 50% of maximum.

1. Wattage: controlled to within ± 10%
2. Correlated Color Temperature: within specs as defined in ANSI_NEMA_ANSLG C78.377-2008: Specifications for the Chromaticity of Solid State Lighting Products.
3. Tested using absolute photometry as specified in LM79: IESNA Approved Method for the Electrical and Photometric Measurements of Solid-State Lighting Products.

Electrical Specifications

Frame-in kit	Input volts	Input freq.	Input current	LED drive current	Input power	LED power	THD factor	Power factor
L3AE1	120V	50/60Hz	.090 A	260 ma	10.64 W	8.76 W	<20%	> .9
L3ANE1	120V	50/60Hz	.090 A	260 ma	10.64 W	8.76 W	<20%	> .9
L3CE1	120V	50/60Hz	.090 A	260 ma	10.64 W	8.76 W	<20%	> .9
L3NZ10U	120V	50/60Hz	.102 A	260 ma	11.8 W	9.74 W	<10%	> .8
	277V	50/60Hz	.047 A	260 ma	11.8 W	8.90 W	<10%	> .8

© 2015 Koninklijke Philips N.V. All rights reserved.
 Philips reserves the right to make changes in specifications and/or to discontinue any product at any time without notice or obligation and will not be liable for any consequences resulting from the use of this publication.
philips.com/luminaires



Philips Lighting, North America Corporation
 200 Franklin Square Drive, Somerset, NJ 08873
 Tel. 855-486-2216

Philips Lighting Canada Ltd.
 281 Hillmount Rd, Markham, ON, Canada L6C 2S3
 Tel. 800-668-9008