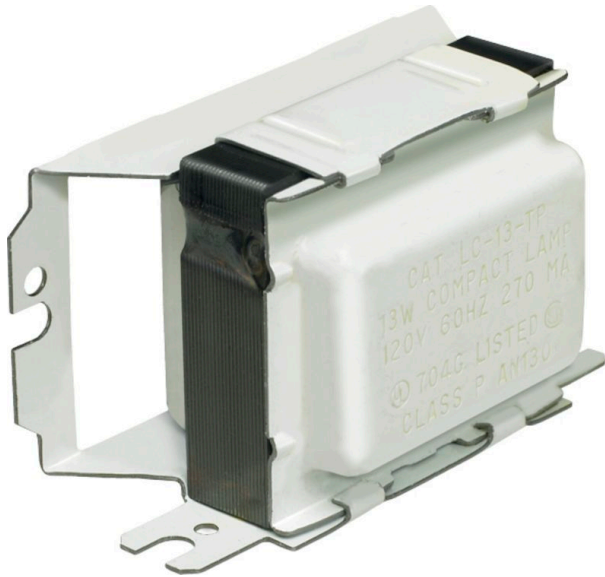


Standard

STANDARD MAG BALLAST (1) F8T5 PH 120V



Available for many fluorescent lamp types sold today, including Preheat, Rapid Start, 2-pin CFL, Slimline, High Output, Very High Output and Circline. Magnetic ballasts can be used in any application where these lamps are used.

Product data

• General Characteristics

Lamp Type	CFQ9W/G23
Number of Lamps	1 piece
Input Voltage	120 V
Input Current (Operating)	0.16 A
Line Frequency	60 Hz
Lamp Footage(for sign ballast)	-
Ballast Type	Magnetic Fluorescent
Base Model	LC49CTP
Housing	C2
Housing Dimensions	1.06" x 1.59" x 1.81"
Housing Material	Metal
Suitable for Outdoor use?	Yes
Starting Method	Preheat
Family Name	Standard

• Operating Characteristics

Automatic restart	Yes
Ignition time	1 s
Inp. Current (Open Circuit)	0
Input Current (Starting)	0.2
Input Power Gear	11 W
Ballast factor	0.95 -
Ballast Efficacy Factor	8.83 -
Power Factor	0.56
Lamp Current Crest Factor	1.5 -
Sound Rating	A
Max THD	15 %

• Wiring Characteristics

Wire Striplength	0.50/0.375 mm
Lamp Connection	Series
Wire Gauge	18AWG
Wire Length by Color	See data sheet
Wire Type	Solid
Allowed Wiring Config(Remote)	Yes
Allowed Wiring Config(Tandem)	No
Allowed Wiring Config(Through)	No
Max Dist. Ball to Lamp(Remote)	30'
Max Dist. Ball to Lamp(Tandem)	-
Max Dist. Ball to Lamp(Through)	-

• System Chars on driver level

Rated Lamp Watts	9W
------------------	----

• Product Dimensions

Length A1	3.06 in
Length A2	2.75 in
Width B1	1.81 in
Height C1	1.59 in
Fixing Hole Diameter D1	0.19 in

• Approval & Application Chars

EMC Immunity	FCC Non-Consumer
Approbation Marks	UL, CSA, RoHS

PHILIPS

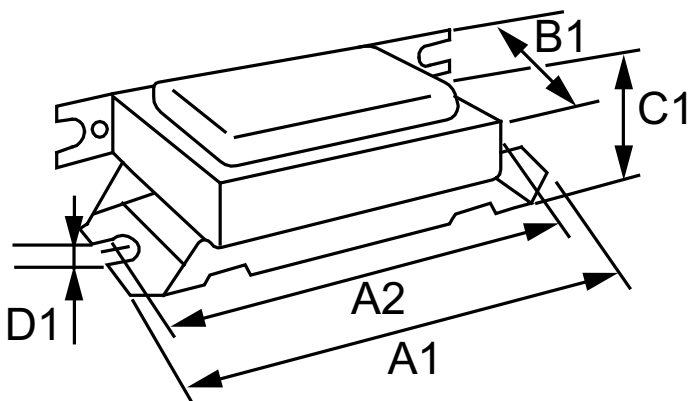
Standard

UL Listed	Yes
CSA certificate	Yes
CEC Listing	No
Circle E logo	No
CSA E	No
cUL certificate	No
DOE	No
FIDE Certificate	No
NOM certificate	No
RoHS Compliant	Yes
SASO Certificate	No
UL Recognized	No

• Product Data

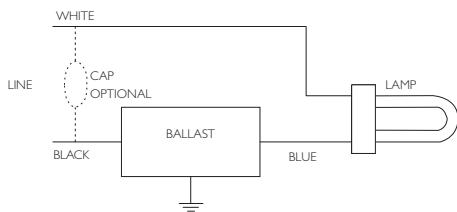
Product number	LC49CTPM
Full product name	MAG BALLAST (1) F8T5 PH 120V
Short product name	MAG BALLAST (1) F8T5 PH 120V
Pieces per Sku	1
eop_pck_cfg	50
Skus/Case	50
Bar code on pack	781087111925
Bar code on case	50781087003522
Logistics code(s)	913700590709
eop_net_weight_pp	0.259 kg

Dimensional drawing



STANDARD MAG BALLAST (1) F8T5 PH 120V

Product	A1 (Norm)	A2 (Norm)	B1 (Norm)	C1 (Norm)	D1 (Norm)
MAG BALLAST (1) F8T5 PH 120V	3.06	2.75	1.81	1.59	0.19



© 2015 Koninklijke Philips N.V. (Royal Philips)
All rights reserved.

Specifications are subject to change without notice. Trademarks are the property of Koninklijke Philips N.V. (Royal Philips) or their respective owners.

www.philips.com/lighting

2015, August 29
data subject to change