



## MR16 LED

7MR16/LED/F35 2700 DIM AF2 10/1

Philips MR16 Dimmable LED Lamps provide ambient level light to illuminate hard to maintain applications. Increased transformer compatibility allows for operation on a wider range of transformers. Available in dimmable and non-dimmable versions, these lamps are ideal for track and open recessed fixtures in retail, hospitality and residential spaces.

**PHILIPS**

## Product data

### • General Information

Cap-Base	GU5.3 [ GU5.3]
Nominal Lifetime (Nom)	40000 h
Switching Cycle	50000X
Technical Type	7-35W

### • Light Technical

Color Code	827 [ CCT of 2700K]
Beam Angle (Nom)	36 °
Light Distribution	36D [ Medium beam]
Initial lumen (Nom)	420 lm
Luminous Flux (Rated) (Nom)	420 lm
Luminous Intensity (Nom)	1150 cd
Color Designation	Warm White (WW)
Rated Beam Angle	36 °
Correlated Color Temperature (Nom)	2700 K
Luminous Efficacy (rated) (Nom)	55.00 lm/W
Color Consistency	6 steps
Color Rendering Index (Nom)	80
Lmf At End Of Nominal Lifetime (Nom)	70 %
Luminous Flux In 90° Cone (Rated)	385 lm

### • Operating and Electrical

Power (Rated) (Nom)	7 W
Lamp Current (Nom)	720 mA

Wattage Equivalent	35 W
Starting Time (Max)	0.5 s
Warm Up Time To 60% Light (Nom)	instant full light
Power Factor (Nom)	0.7
Voltage (Nom)	12 V

### • Temperature

T-Case Maximum (Max)	102 °C
----------------------	--------

### • Controls and Dimming

Dimmable	Yes
----------	-----

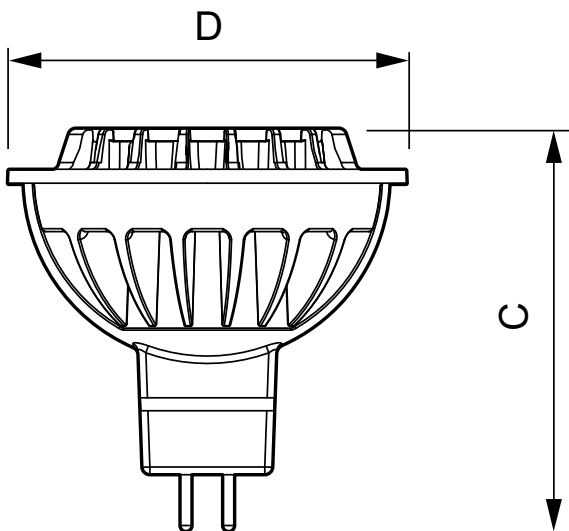
### • Approval and Application

Suitable For Accent Lighting	Yes
Energy Efficiency Label (EEL)	A
Energy Consumption kWh/1000 h	8 kWh

### • Product Data

Order product name	7MR16/F35 2700 DIM AF2 10/1
EAN/UPC - Product	046677457471
Order code	457473
Numerator - Quantity Per Pack	1
Numerator - Packs per outer box	10
Material Nr. (12NC)	929001153104
Net Weight (Piece)	0.045 kg

## Dimensional drawing

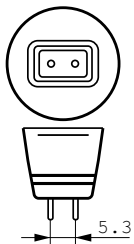


7-35 W GU5.3 MR16

### LED D 7-35W 827 MR16 36D

Product	D	C
7MR16/F35 2700 DIM AF2 10/1	50.5 mm	50.5 mm

Dimensional drawing



© 2016 Philips Lighting Holding B.V.  
All rights reserved.

Specifications are subject to change without notice. Trademarks are the property of Koninklijke Philips N.V. (Royal Philips) or their respective owners.

[www.philips.com/lighting](http://www.philips.com/lighting)

2016, March 4  
data subject to change