



MASTER LEDspot PAR

120V PAR20 6W 25D 2700K DIM

With its robust design and warm-white beam of light, these new-generation PAR lamps are ideal for general lighting and spot lighting in the hospitality industry. There is a choice of dimmable and non-dimmable versions. They are especially suitable for public areas such as lobbies, corridors, stairwells, where the light is always on. Compatible with existing fixtures with an E27 holder and designed for retrofit replacement of halogen/incandescent lamps, MASTER LEDspot PAR deliver huge energy savings and minimize maintenance cost without any reduction in brightness. The IP44-rated outdoor version of the PAR 38 lamp is one of the few energy-saving alternatives to incandescent PAR38 outdoor lamps available today. The dimmable PAR 20 is a perfect replacement for an incandescent spot. With its robust design and warm-white beam of light, these new-generation PAR lamps are ideal for general lighting and spot lighting in the hospitality industry. There is a choice of dimmable and non-dimmable versions. They are especially suitable for public areas such as lobbies, corridors, stairwells, where the light is always on. Compatible with existing fixtures with an E27 holder and designed for retrofit replacement of halogen/incandescent lamps, MASTER LEDspot PAR deliver huge energy savings and minimize maintenance cost without any reduction in brightness. The IP44-rated outdoor version of the PAR 38 lamp is one of the few energy-saving alternatives to incandescent PAR38 outdoor lamps available today. The dimmable PAR 20 is a perfect replacement for an incandescent spot.

Product data

• General Information

Cap-Base

E26 [E26 Single Contact Medium Screw]

Bulb Shape
Nominal Lifetime
(Nom)

PAR20 [PAR 2.5 inch]
45000 h

PHILIPS

MASTER LEDspot PAR

Switching Cycle 20000X
 Technical Type 6-50W

Power Factor (Nom) 0.85
 Voltage (Nom) 120 V

• Light Technical

Color Code 827 [CCT of 2700K]
 Beam Angle (Nom) 25 °
 Light Distribution Medium beam 25°
 Luminous Flux (Nom) 430 lm
 Luminous Flux (Rated) (Nom) 430 lm
 Luminous Intensity (Nom) 1800 cd
 Color Designation Warm White (WW)
 Rated Beam Angle 25 °
 Correlated Color Temperature (Nom) 2700 K
 Luminous Efficacy (rated) (Nom) 71 lm/W
 Color Consistency 6 steps
 Color Rendering Index (Nom) 80
 LLMF At End Of Nominal Lifetime (Nom) 70 %

• Operating and Electrical

Input Frequency 60 Hz
 Power (Rated) (Nom) 6 W
 Lamp Current (Nom) 58 mA
 Wattage Equivalent 50 W
 Starting Time (Max) 0.5 s
 Warm Up Time To 60% Light (Nom) instant full light

• Temperature

T-Case Maximum (Nom) 85 °C

• Controls and Dimming

Dimmable Yes

• Mechanical and Housing

Bulb Finish White

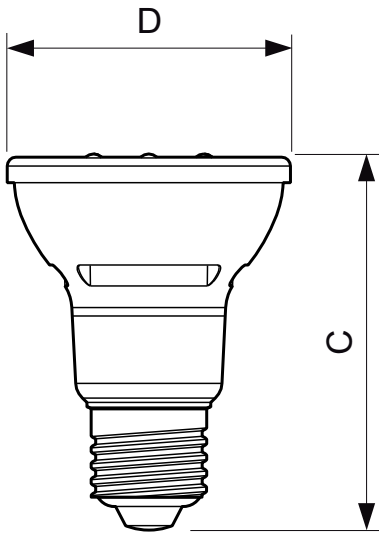
• Approval and Application

Suitable For Accent Lighting Yes
 Energy Efficiency A
 Label (EEL)
 Energy Consumption kWh/1000 h 6 kWh

• Product Data

Full product code 871869648362600
 Order product name 120V PAR20 6W 25D 2700K DIM
 EAN/UPC - Product 8718696483626
 Order code 929001160112
 Numerator - Quantity Per Pack 1
 Numerator - Packs per outer box 6
 Material Nr. (12NC) 929001160112
 Net Weight (Piece) 0.001 kg

Dimensional drawing

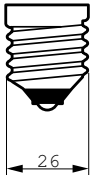


LED 6-50W E26 2700K 120V PAR20 25D DIM

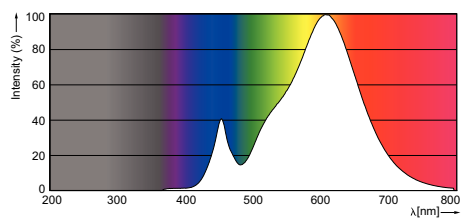
Product	D	C
120V PAR20 6W 25D 2700K DIM	65 mm	82 mm

MASTER LEDspot PAR

Dimensional drawing



Photometric data



© 2016 Philips Lighting Holding B.V.
All rights reserved.

Specifications are subject to change without notice. Trademarks are the property of Koninklijke Philips N.V. (Royal Philips) or their respective owners.

www.philips.com/lighting

2016, March 4
data subject to change