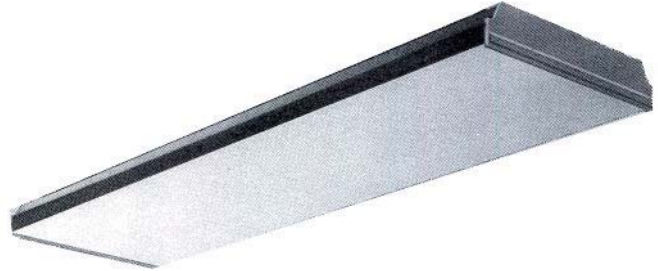


TX 448

THE WRAP

14" WIDE 3 3/16" DEEP SURFACE FLUORESCENT
WRAPAROUND LENS
2 OR 4 LAMP, FLUORESCENT
T8 OR T12

- Ideal for low ceiling height applications where recessed units cannot be used.
- 3 1/4" total depth.
- Step-back housing for an apparent depth of 1 3/8".
- Efficiency 71.5%.
- A shallow profile and linear prismatic sides combine to reduce ceiling contrast.
- Virgin acrylic lens with one-piece extruded prismatic bottom and side walls.
- Shielding hinges from either side (self-leveling).
- Full-length balast cover snaps-in, snaps-out (no-tools).
- Individual or continuous row installations.
- Suitable for mounting on low-density cellulose fiberboard surfaces.

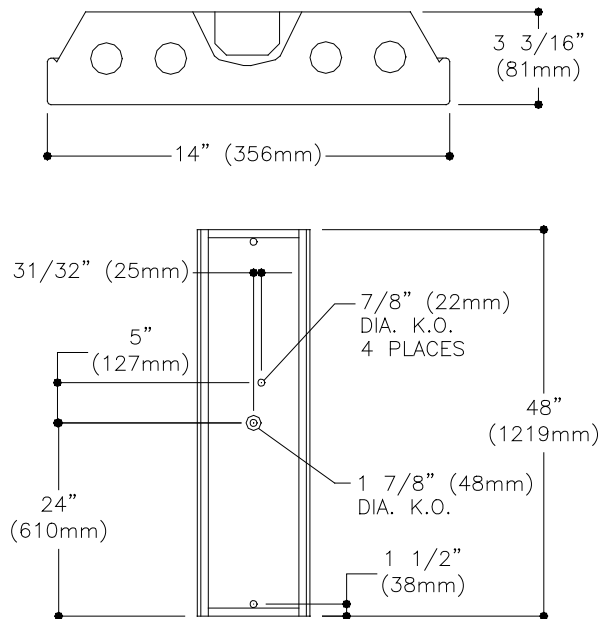


MOUNTING METHODS/FEATURES



Shielding hinges from either side (self-leveling)

DIMENSIONS

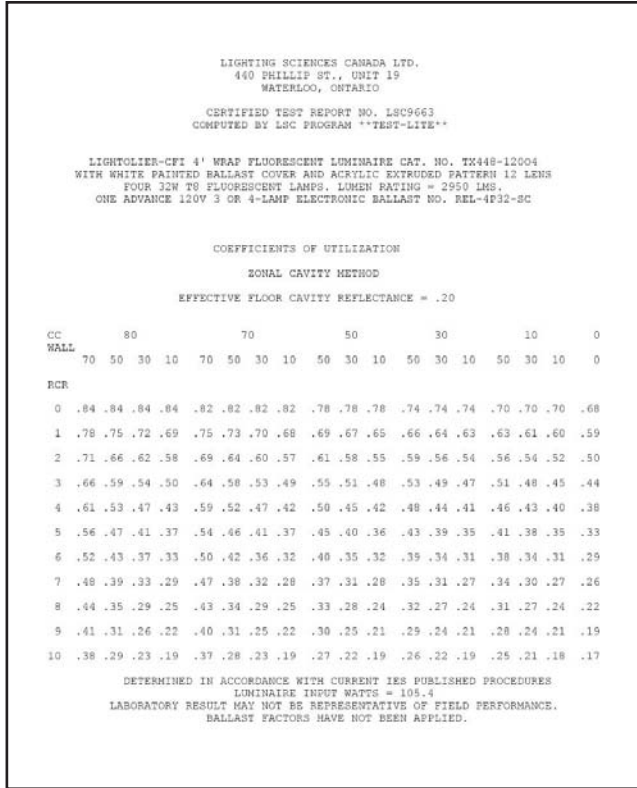
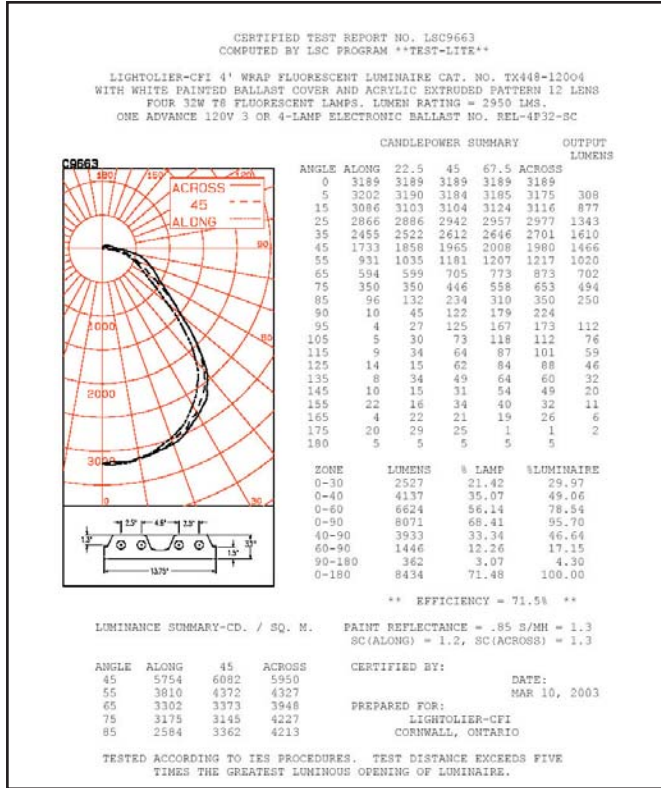


FIXTURE TYPE	VOLTS
JOB INFORMATION: _____	

CFI FLUORESCENT

PHOTOMETRY

MODEL NO. TX448-120SO



ORDERING INFORMATION Explanation of Catalogue Number Example: TX448-120SO

TX	4	48	120	SO	[]
THE WRAP SURFACE LUMINAIRE 14" WIDE	LAMP QUANTITY 2 4	LAMP/FIXTURE LENGTH: W8 = nominal 48" (2 lamp) 32W T8 or 34W T12 48 = nominal 48" 32W T8 or 34W T12	VOLTAGE: 120=120V 277=277V 347=347V	BALLAST TYPE: LE=T12 Magnetic SO= 2 LPB T8 Electronic O4= 4 LPB T8 Electronic	OPTIONS: Add appropriate suffix to catalog

OPTIONS/ACCESSORIES

ELECTRICAL/WIRING OPTIONS: For special wiring or emergency packs, consult factory.

Internal Fusing: Consult your CFI Fluorescent representative.

Canopy Spacer: Suspends luminaire 1 1/2" from surface. Order catalogue number . **STSK**

Stem and Canopy: Suspends luminaire 12", 18", 24", 36" or 48" from surface. Order catalogue number **STKF12** (12"), **STKF18** (18"), **STKF24** (24"), **STKF36** (36"), **STKF48** (48") (White finish).

SPECIFICATIONS

PERFORMANCE: In a installation of 4 lamp 32W luminaires in a room cavity ratio of 1, with reflectance of 80% ceiling, 50% walls, 20% floor, the C.U. shall not be less than .75. To reduce glare the average luminance 65° shall not exceed 3948 candelas per square meter. To control ceiling reflections, luminaire output in the 30°-90° zone shall be not less than 70%.

MATERIALS: Chassis parts are die-formed code gauge cold rolled steel. Housing is reinforced for rigidity. Refractor - one-piece virgin acrylic.

FINISH: Chassis exterior - white baked polyester enamel. Cavity - white baked polyester enamel minimum reflectance 86%. Phosphate undercoating.

LENS: One-piece extruded prismatic bottom and side walls with diamond shape square based male conical prisms on horizontal surface.

ELECTRICAL: Rapid start HPF, E (energy saving ballast where applicable) thermally protected class "P" ballast C.B.M. certified by E.T.L. If K.O is within 3" of ballast use wire suitable for at least 90°.

LABELS: Listed by



We reserve the right to change, materials and finish in any way that will not alter installed appearance or reduce function and performance.