

**PHILIPS
KEENE**

Wall Mount

Low Profile Wall



Project: _____
 Location: _____
 Cat.No: _____
 Type: _____
 Qty: _____
 Notes: _____

The Philips Keene Low Profile Wall Mount features a discreet design that will complement any building exterior. Three sizes are available in 15, 30 and 50W output to accommodate multiple mounting heights. Low Profile Wall delivers up to 110 lumens per watt for excellent energy savings over HID.

Ordering guide

example: PW-50-NW-G1-8-BZ

Luminaire	Wattage	LED Color – Generation	Voltage	Finish
PW		NW-G1		BZ
PW Low Profile Wall	15 15W 30 30W 50 50W	NW-G1 Neutral White, 4000K, 80 CRI, Generation 1	8 120-277 Volts 6 347 Volts	BZ Bronze

Housing

Die-cast aluminum housing with UV stabilized polycarbonate lens mounted with stainless steel hardware.

IP Rating

LED light engine is weather proof rated IP65.

Electrical

Electrical Driver efficiency (>90% at full load). Available in 120-277V and 347V. IP65 compliant driver. RoHS compliant. Surge protector standard. 10KA per ANSI/IEEE C62.41.2.

LED Board and Array

24, 48, and 80 LEDs. Color temperature 4000K, +/- 500K. Minimum CRI of 80. Aluminum metal clad board with midpower LED chips.

Optical System

Direct mid-power LED distribution with white reflective plate. Optical system is designed for zero uplight. Light engine is weather protected with silicone sealed clear glass.

Mounting

Mounts to standard 3 1/2" to 4" square and octagonal or 4 inch round electrical junction boxes.

Energy Saving Benefits

System efficacy up to 110lms/W with significant energy savings over Pulse Start Metal Halide luminaires.

Listings

UL/cUL listed to the UL 1598 standard, suitable for Wet Locations. Suitable for use in ambient from -30° to 40°C (-22° to 104°F). All product configurations are DesignLights Consortium® qualified.

Finish

Each luminaire receives a fade and abrasion resistant, electrostatically applied, thermally cured, triglycidal isocyanurate (TGIC) textured polyester powdercoat finish. Standard color is bronze (BZ).

Limited Warranty

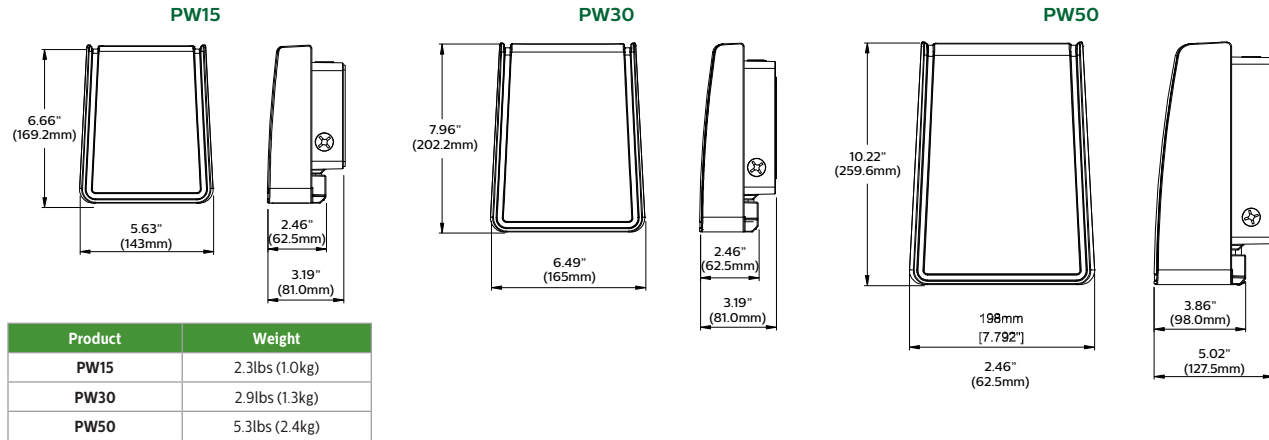
Luminaires are all covered by a 5-year limited warranty. See philips.com/warranties for details.



Low Profile Wall LED

PW15/PW30/PW50

Dimensions



LED Wattage and Lumen Values

Ordering Codes	Total LEDs	System Current (mA)	Color Temp. (K)	Average System Wattage ¹	Type 2		
					Lumen Output ²	BUG Rating	Efficacy (LPW)
PW15-NW-G1-8	24	700	4000	15	1656	B1-UO-G0	110
PW30-NW-G1-8	48	1000	4000	30	3090	B2-UO-G1	103
PW50-NW-G1-8	80	1400	4000	51	5114	B2-UO-G1	100
PW15-NW-G1-6	24	700	4000	18	1655	B1-UO-G0	95
PW30-NW-G1-6	48	1000	4000	32	3025	B2-UO-G1	95
PW50-NW-G1-6	80	1400	4000	55	5121	B2-UO-G1	93

1. Wattage and lumen output may vary by due to LED manufacturer forward volt specification and ambient temperature. Wattage shown is average for 120V, 277V, and 347V. Measured wattage may vary due to variation in input voltage.
2. Lumen values based on photometric tests performed in compliance with IESNA LM-79. Contact outdoorlighting.applications@philips.com for details or additional information

Predicted Lumen Depreciation Data

Predicted performance derived from LED manufacturer's data and engineering design estimates, based on IESNA LM-80 methodology. Actual experience may vary due to field application conditions. L70 is the predicted time when LED performance depreciates to 70% of initial lumen output. Calculated per IESNA TM21-11. Published L70 hours limited to 6 times actual LED test hours.

Ordering Codes	Ambient Temperature °C	LED Current	System Current	L ₇₀ Per TM-21 ^{2,3}	Lumen Maintenance % @ 50,000hrs ¹
PW15-NW-G1	25 °C	65mA	700mA	> 54,000	77%
PW30-NW-G1	25 °C	65mA	1000mA	> 54,000	77%
PW50-NW-G1	25 °C	65mA	1400mA	> 54,000	76%

1. Predicted performance derived from LED manufacturer's data and engineering design estimates, based on IESNA LM-80 methodology. Actual experience may vary due to field application conditions.
2. L70 is the predicted time when LED performance depreciates to 70% of initial lumen output.
3. Calculated per IESNA TM 21-11. Published L₇₀ hours limited to 6 times actual LED test hours

© 2017 Philips Lighting Holding B.V. All rights reserved. Philips reserves the right to make changes in specifications and/or to discontinue any product at any time without notice or obligation and will not be liable for any consequences resulting from the use of this publication. philips.com/luminaires



Philips Lighting North America Corporation
200 Franklin Square Drive, Somerset, NJ 08873
Tel. 855-486-2216

Philips Lighting Canada Ltd.
281 Hillmount Rd, Markham, ON, Canada L6C 2S3
Tel. 800-668-9008