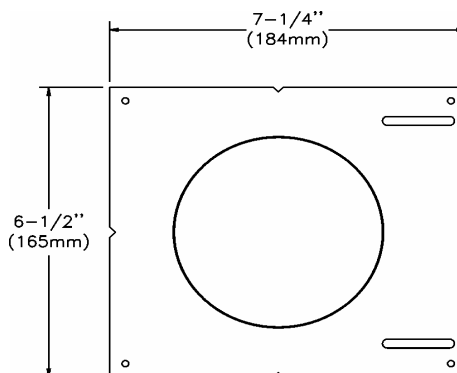


**0089 and 0092**



**0089S and 0092S**

Catalog no.	Aperture Size
<b>0089</b>	3 3/4" (95mm) Long Plate for 300 series
<b>0089S</b>	3 3/4" (95mm) Short Plate for 300 series
<b>0092</b>	4 1/4" (108mm) Long Plate for 500 series
<b>0092S</b>	4 1/4" (108mm) Short Plate for 500 series

**Features**

**Plate:** 24 ga. Galvanized steel with 1/4" vertical on round opening.

**Alignment Marks:** Four notches are positioned 90° apart to simplify the alignment of the plates in a straight line.

**Slots:** 4 slots to accommodate up to 16" joist construction.

**LIGHTOLIER®**

CANLYTE 3015 Louis Amos Lachine, Qc. H8T 1C4 **CANLYTE**  
 Tel.: (514) 636-0670 - Fax.: (514) 636-0460  
 www.canlyte.com

We reserve the right to change details of design, materials and finish.

