



PAR38 LED with AirFlux Technology

18PAR38/END/F36 2700-900 DIM SM 6/1

Philips PAR38 Dimmable LED Lamps with AirFlux Technology provide optimal thermal efficiency in a sleek, lightweight design.

Product data

• General Characteristics

Cap-Base	E26
Bulb	PAR38 [PAR38 mm]
Bulb Finish	White
Rated Avg. Life (Hours)	45000 hr

• Light Technical Characteristics

Color Code	WW
Color Designation	Warm White
Beam Angle	36 D
Correlated Color Temperature	2700 K
Approx. MBCP	2050 cd
CRI	80
Color Temp. (Kelvin)	2700 K [CCT 2700K]
Rated Luminous Flux	900 Lm

• Electrical Characteristics

Wattage	18 W
Wattage Technical	18 W
Voltage	120 V

Power Factor	0.7 -
Lamp Current mA	224 mA
Dimmable	Yes
Starting Time	0.5 (max) s

• Product Dimensions

Overall Length C	128.7 mm
Diameter D	121.3 mm

• Product Data

Product number	420885
Full product name	18PAR38/END/F36 2700-900 DIM SM 6/1
Short product name	18PAR38/END/F36 2700 DIM AF 6/1
Pieces per Sku	1
eop_pck_cfg	6
Skus/Case	6
Bar code on pack	46677420888
Bar code on case	50046677420883
Logistics code(s)	929000224504
eop_net_weight_pp	0.370 kg

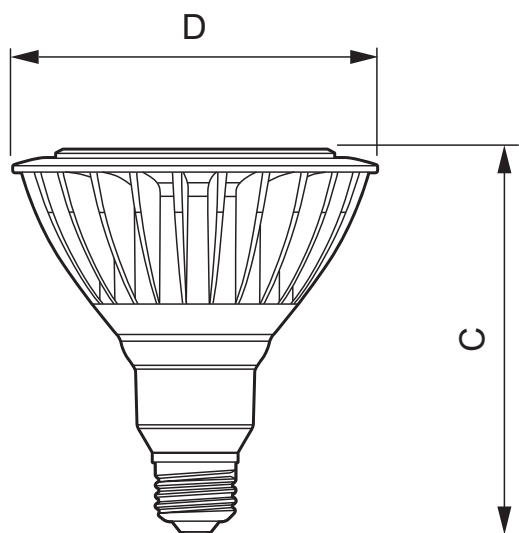
Dimensional drawing



PHILIPS

sense and simplicity

Dimensional drawing



E26

18PAR38/END/F36 2700-900 DIM SM 6/1

Product	C (Norm)	D (Norm)
LED 18W 2700K 120V PAR38 White 36D	128.7	121.3



© 2013 Koninklijke Philips Electronics N.V.
All rights reserved.

Specifications are subject to change without notice. Trademarks are the property of Koninklijke Philips Electronics N.V. or their respective owners.

www.philips.com/lighting

2013, May 13
data subject to change