

INSIDE BLOCKS NOT SHOWN

Application:

Type 3R enclosure designed for indoor/outdoor distribution.

Construction:

- BPS: ungasketed sliding cover
- VFB: gasketed slip hinged cover
- Retractable sealing hasp
- Both models supplied with three (3) blocks and one (1) Grounding strip
- 16 galvanized steel gauge Natural Finish

Also Available:

- Cutouts, louvers and hubs
- Aluminium, SS, galvanized steel
- Special finishes & sizes

Standards:

- CSA certified 150359

TECHNICAL READOUT

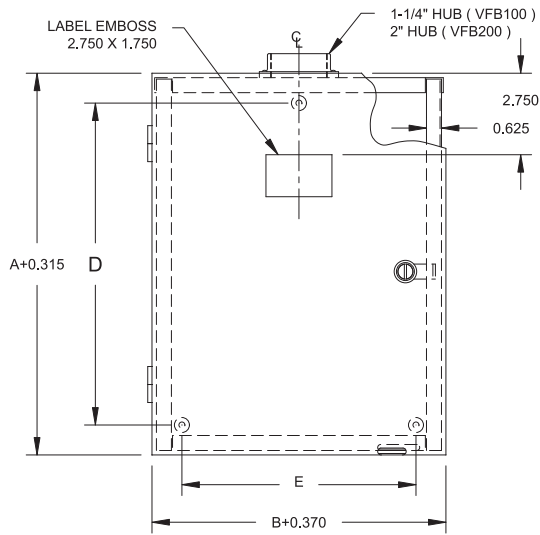
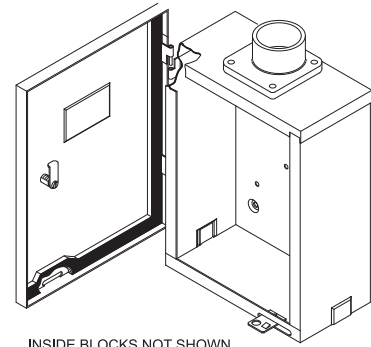
| Catalog No. | Capacity Per Block | Ground Strip | Hub Top Entry | Size |
|-------------|--------------------|--------------|---------------|--------------------|
| BPS100 | 1-1/0 to 14 | 3 x (4-14) | - | 14" x 8 7/8" x 4" |
| | 6-2 to 14 | | | |
| BPS200 | 1-300 MCM | 3 x (4-14) | - | 14" x 11 1/2" x 4" |
| | 6-2/0 to 14 | | | |
| VFB100 | 4-2/0 to 14 | 3 x (4-14) | 1 1/4" | 11" x 8" x 4 1/4" |
| VFB200 | 2-300MCM | 3 x (4-14) | 2" | 11" x 8" x 4 1/4" |
| | 3-2/0 to 14 | | | 18" x 12" x 5 3/8" |



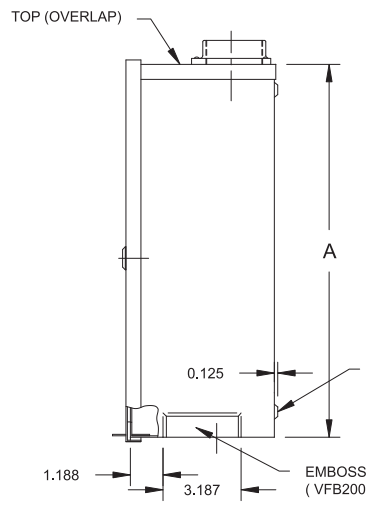


VFB Series

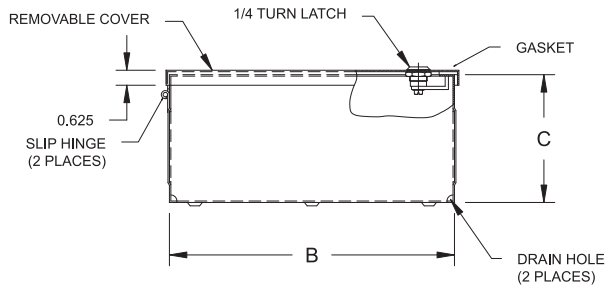
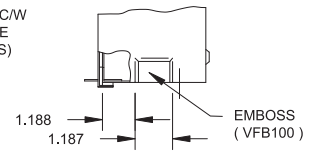
EEMAC / NEMA 3R Splitter Boxes



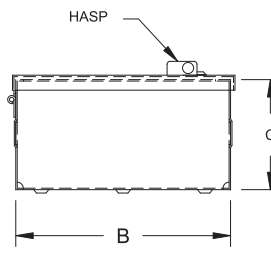
Front View



Side View



**Bottom View
VFB200**



**Bottom View
VFB100**

TECHNICAL READOUT

| Catalog No. | A | B | C | D | E |
|-------------|--------|--------|-------|--------|-------|
| VFB100 | 11.060 | 8.094 | 4.220 | 8.438 | 5.844 |
| VFB200 | 18.000 | 11.880 | 5.325 | 13.875 | 7.875 |