

INSIDE BLOCKS NOT SHOWN

**Application:**

Type 3R enclosure designed for indoor/outdoor distribution.

**Construction:**

- BPS: ungasketed sliding cover
- VFB: gasketed slip hinged cover
- Retractable sealing hasp
- Both models supplied with three (3) blocks and one (1) Grounding strip
- 16 galvanized steel gauge Natural Finish

**Also Available:**

- Cutouts, louvers and hubs
- Aluminium, SS, galvanized steel
- Special finishes & sizes

**Standards:**

- CSA certified 150359

**TECHNICAL READOUT**

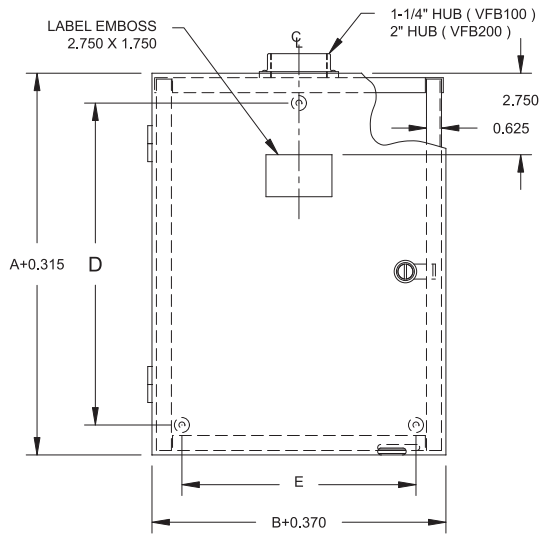
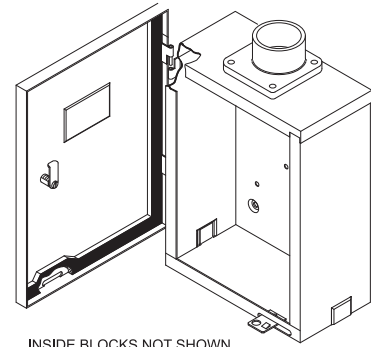
Catalog No.	Capacity Per Block	Ground Strip	Hub Top Entry	Size
BPS100	1-1/0 to 14	3 x (4-14)	-	14" x 8 7/8" x 4"
	6-2 to 14			
BPS200	1-300 MCM	3 x (4-14)	-	14" x 11 1/2" x 4"
	6-2/0 to 14			
VFB100	4-2/0 to 14	3 x (4-14)	1 1/4"	11" x 8" x 4 1/4"
VFB200	2-300MCM	3 x (4-14)	2"	11" x 8" x 4 1/4"
	3-2/0 to 14			18" x 12" x 5 3/8"



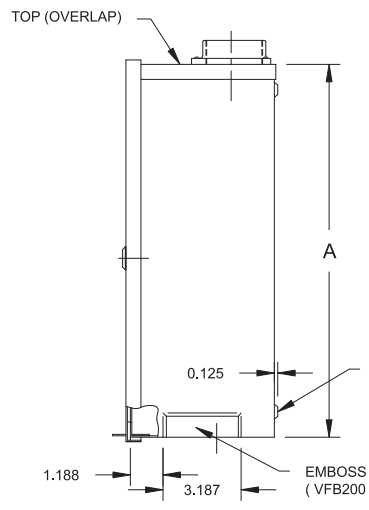


# VFB Series

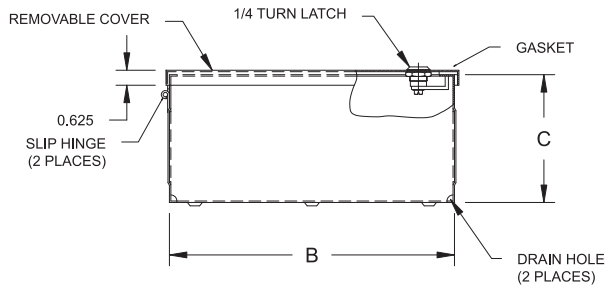
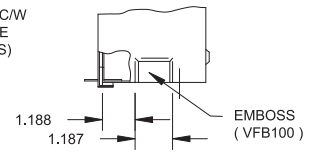
# EEMAC / NEMA 3R Splitter Boxes



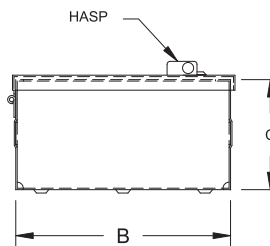
**Front View**



**Side View**



**Bottom View  
VFB200**



**Bottom View  
VFB100**

### TECHNICAL READOUT

Catalog No.	A	B	C	D	E
VFB100	11.060	8.094	4.220	8.438	5.844
VFB200	18.000	11.880	5.325	13.875	7.875