



# BT7LED

## 8W 12V DC POWER SUPPLY



BLACK

### FEATURES

- Constant voltage mode power supply
- Switching power supply
- No dimming
- Protection : Short circuit / Over voltage
- Integrated junction box for hard wire installation
- Fully isolated metal case
- Cooling by air convection
- 2 years warranty
- ETL certification

### SPECIFICATION

- Input voltage : 100 VAC ~ 240VAC  $\pm 10\%$  @ 50/60Hz
- Output power : ..... max 8.4W
- Output voltage : ..... 12VDC  $\pm 5\%$
- Output current : ..... max 0.7A
- Protection : ..... Short circuit / Over voltage

### MECHANICAL AND THERMAL

- Operating temperature : .....  $0^{\circ}\text{C} \sim 35^{\circ}\text{C}$
- Case temperature max : .....  $70^{\circ}\text{C}$
- Dimension : ..... 152mm x 38mm x 38mm
- Primary cable : ..... 2x 18AWG
- Secondary cable : ..... 2x 18AWG

### CERTIFICATION AND WARRANTY



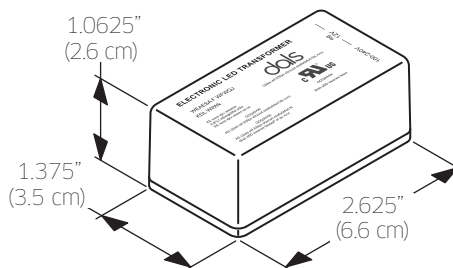
- Approval : ETL #4004127
- 2 years warranty

### ETR-T7LED

- UL/CUL Class 2 Approved ..... #E124867
- Dimensions: ..... 66mm x 35mm x 27mm

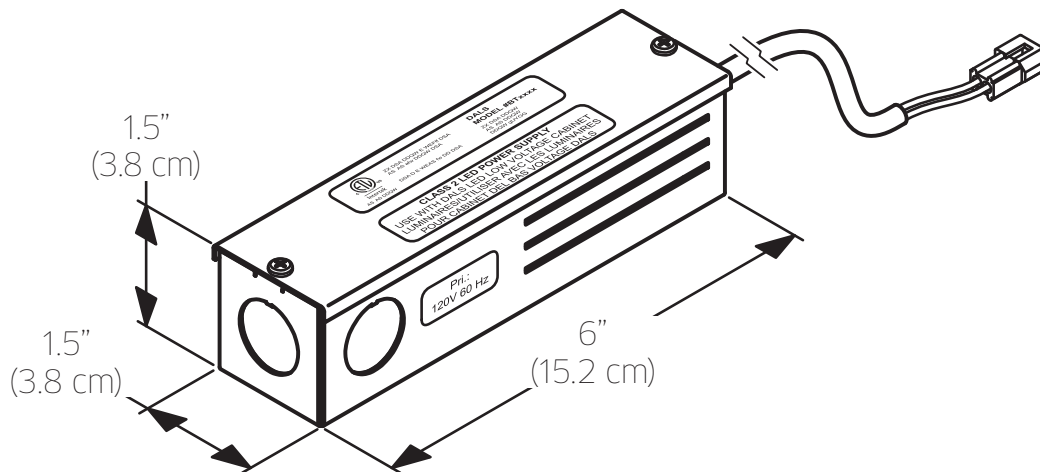
### INCLUDED

- Instruction sheet
- Murette
- Strain relief
- Fixation screws

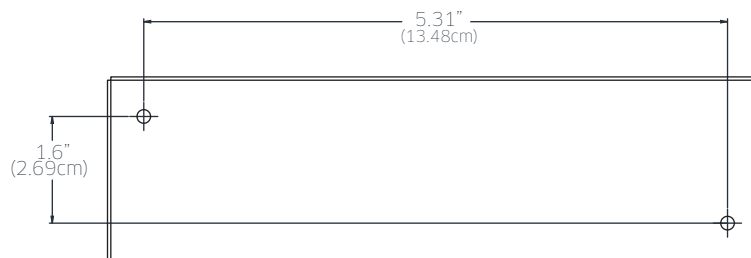


**DALS LIGHTING INC.**  
30 Rolland Briere, suite 104, Blainville QC J7C 5R8  
TEL: 450-430-1818 FAX: 450-430-1850  
[www.dalslighting.com](http://www.dalslighting.com)

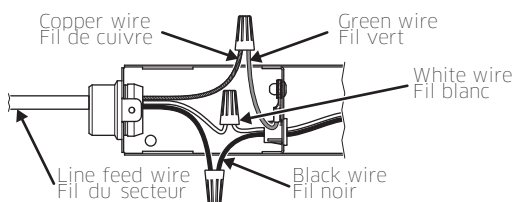
### PHYSICAL DIMENSIONS



### PHYSICAL DIMENSIONS



### INPUT CONNECTION



### OUTPUT CONNECTION

