



BT24LED

24W 12V DC POWER SUPPLY



BLACK

FEATURES

- Constant voltage mode power supply
- Switching power supply
- No dimming
- Protection : Short circuit / Over voltage
- Integrated junction box for hard wire installation
- Fully isolated metal case
- Cooling by air convection
- 2 years warranty
- ETL certification

SPECIFICATION

- Input voltage : 100 VAC ~ 240VAC $\pm 10\%$ @ 50/60Hz
- Output power :max 24W
- Output voltage : 12VDC $\pm 5\%$
- Output current :max 2A
- Protection :Short circuit / Over voltage

MECHANICAL AND THERMAL

- Operating temperature : 0°C ~ 35°C
- Case temperature max : 70°C
- Dimension : 230mm x 64mm x 39mm
- Primary cable : 2x 18AWG
- Secondary cable : 2x 18AWG

CERTIFICATION AND WARRANTY



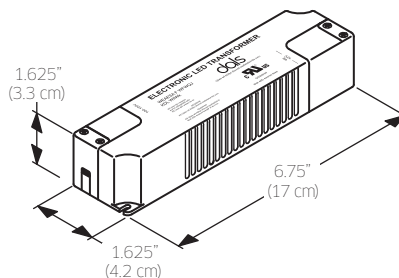
- Approval : ETL #4004127
- 2 years warranty

ETR-T24LED

- UL/CUL Class 2 Approved #E124867
- Dimensions: 33mm x 42mm x 170mm

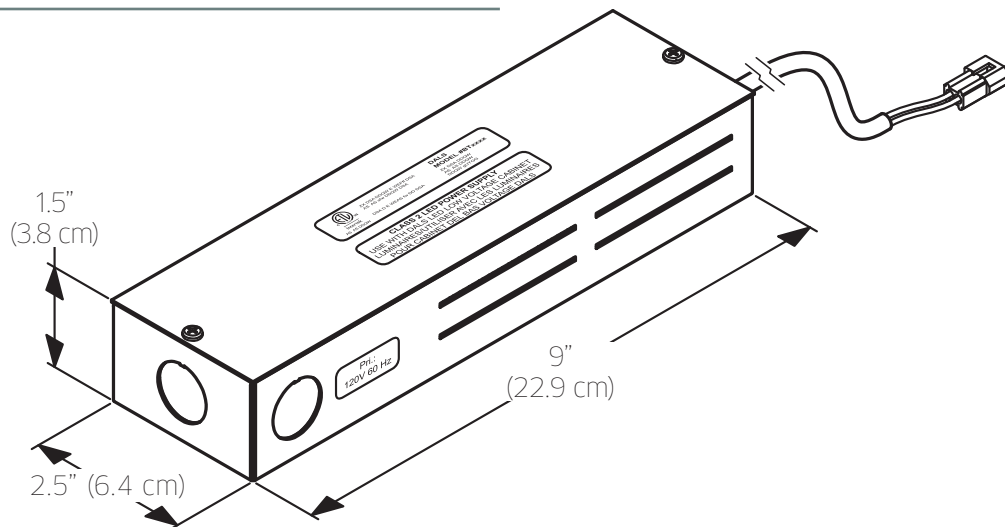
INCLUDED

- Instruction sheet
- Murette
- Strain relief
- Fixation screws

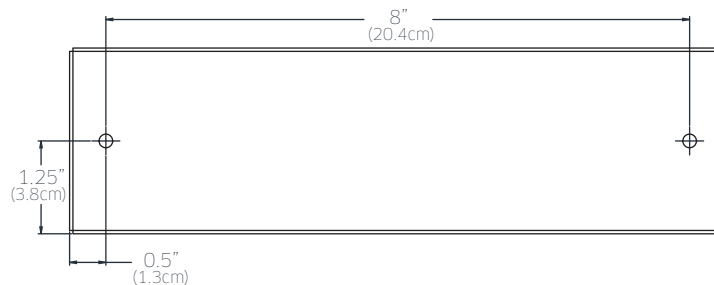


DALS LIGHTING INC.
30 Rolland Briere, suite 104, Blainville QC J7C 5R8
TEL: 450-430-1818 FAX: 450-430-1850
www.dalslighting.com

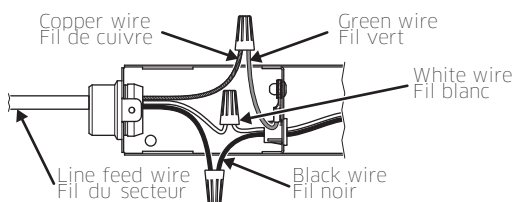
PHYSICAL DIMENSIONS



PHYSICAL DIMENSIONS



INPUT CONNECTION



OUTPUT CONNECTION

