



BT48WDIMLED

48W 12V DC DIMMABLE POWER SUPPLY



WHITE

FEATURES

- Constant voltage mode power supply
- AC-dimming supply (with ELV dimmer)
- Protection : Short circuit / Over voltage
- Integrated junction box for hard wire installation
- Fully isolated metal case
- Cooling by air convection
- 2 years warranty
- ETL certification

SPECIFICATION

- Input voltage :110VAC ~ 230VAC @ 48-62Hz
- Output power : max 48W
- Output voltage : 12VDC typ.
- Output current : max 4A
- Load range : 50% ~ 100%
- Dimming type : ELV AC dimming
- Dimming range : 20% ~ 100%
- Protection : Short circuit / Over voltage

INCLUDED

- Instruction sheet
- Murette
- Strain relief
- Fixation screws

ETR-48WDIMLED

- Approval : ETL #4004489, CE, TUV
- dimension : 123mm x 80mm x 33mm

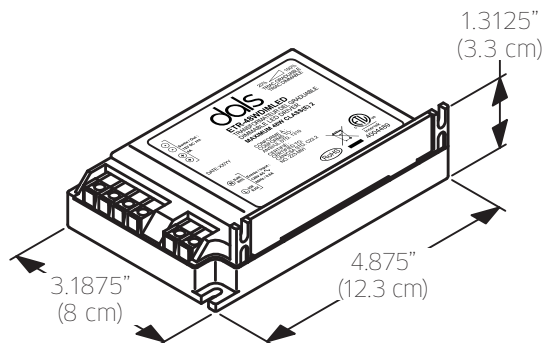
MECHANICAL AND THERMAL

- Operating temperature : -30°C ~ 45°C
- Dimension : 175mm x 87mm x 36mm

CERTIFICATION AND WARRANTY



- Approval : ETL #4004127
- 2 years warranty



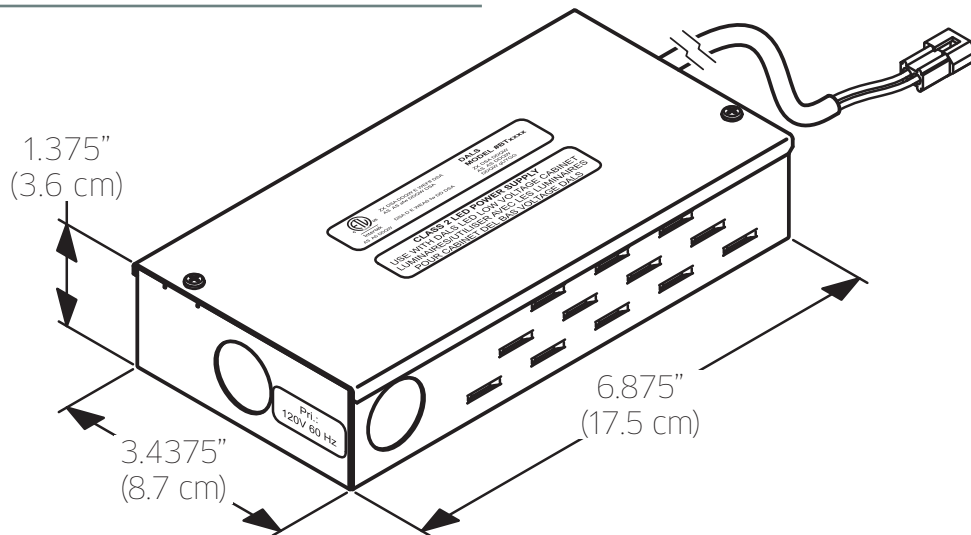
DALS LIGHTING INC.
 30 Rolland Briere, suite 104, Blainville QC J7C 5R8
 TEL: 450-430-1818 FAX: 450-430-1850
www.dalslighting.com



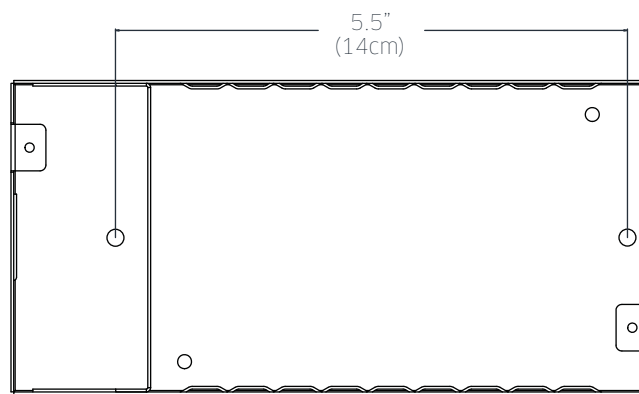
BT48WDIMLED

48W 12V DC DIMMABLE POWER SUPPLY

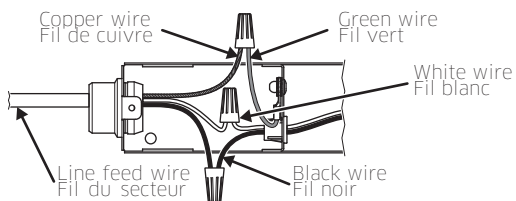
PHYSICAL DIMENSIONS



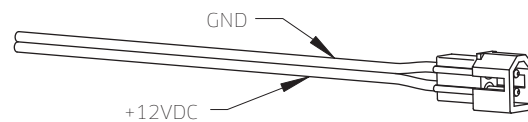
FIXATION HOLES POSITIONS



INPUT CONNECTION



OUTPUT CONNECTION



DALS LIGHTING INC.
30 Rolland Briere, suite 104, Blainville QC J7C 5R8
TEL: 450-430-1818 FAX: 450-430-1850
www.dalslighting.com