



# BT33WDIMLED

## 33W 12V DC DIMMABLE POWER SUPPLY



WHITE

### FEATURES

- Constant voltage mode power supply
- AC-dimming supply (with ELV dimmer)
- Protection : Short circuit / Over voltage
- Integrated junction box for hard wire installation
- Fully isolated metal case
- Cooling by air convection
- 2 years warranty
- ETL certification

### SPECIFICATION

- Input voltage : . . . 110VAC ~ 230VAC @ 48-62Hz
- Output power : . . . . .max 31.2W
- Output voltage : . . . . .12VDC typ.
- Output current : . . . . .max 2.6A
- Load range : . . . . .50% ~ 100%
- Dimming type : . . . . .ELV AC dimming
- Dimming range : . . . . .20% ~ 100%
- Protection : . . . . .Short circuit / Over voltage

### INCLUDED

- Instruction sheet
- Murette
- Strain relief
- Fixation screws

### ETR-33WDIMLED

- Approval : . . . . .ETL #4004489, CE, TUV
- Dimension : . . . . .170mm x 48mm x 25mm

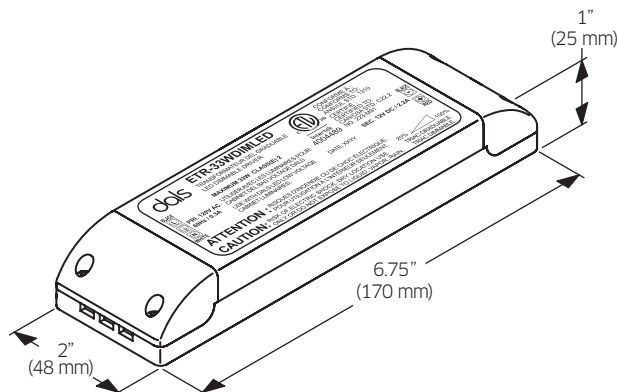
### MECHANICAL AND THERMAL

- Operating temperature : . . . . .-30°C ~ 45°C
- Dimension : . . . . .230mm x 64mm x 39mm

### CERTIFICATION AND WARRANTY



- Approval : ETL #4004127
- 2 years warranty



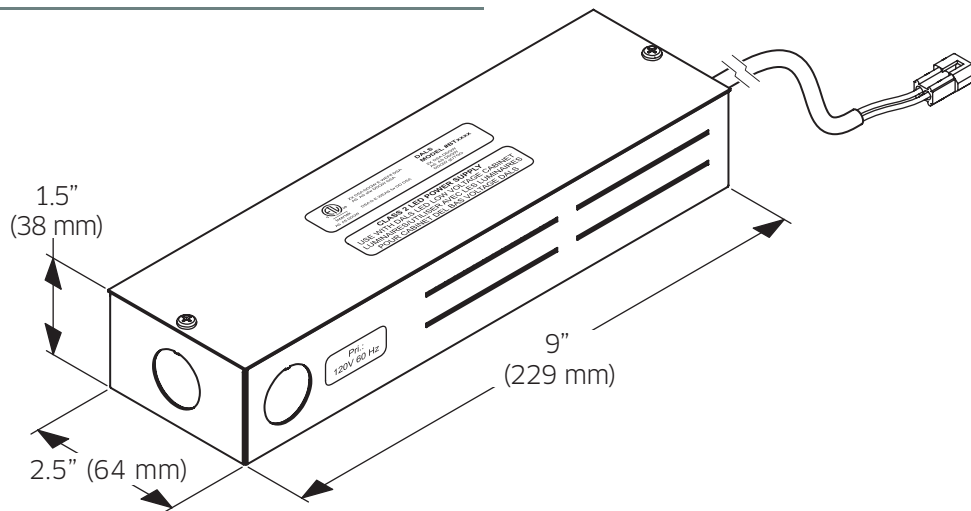
**DALS LIGHTING INC.**  
 30 Rolland Briere, suite 104, Blainville QC J7C 5R8  
 TEL: 450-430-1818 FAX: 450-430-1850  
[www.dalslighting.com](http://www.dalslighting.com)



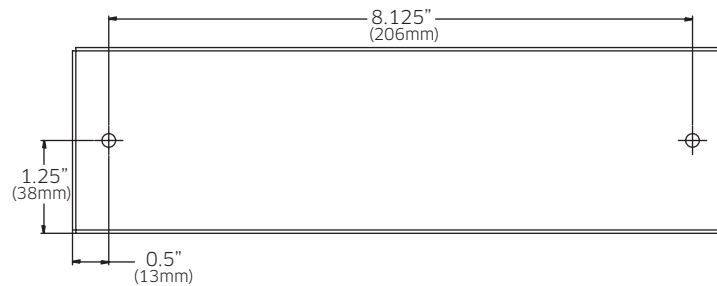
# BT33WDIMLED

## 33W 12V DC DIMMABLE POWER SUPPLY

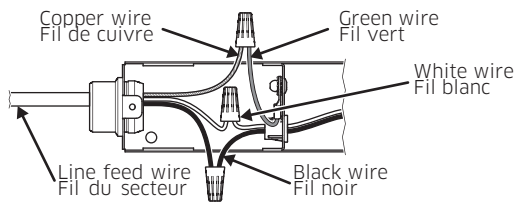
### PHYSICAL DIMENSIONS



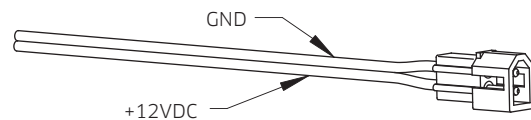
### FIXATION HOLES POSITIONS



### INPUT CONNECTION



### OUTPUT CONNECTION



**DALS LIGHTING INC.**  
30 Rolland Briere, suite 104, Blainville QC J7C 5R8  
TEL: 450-430-1818 FAX: 450-430-1850  
[www.dalslighting.com](http://www.dalslighting.com)