



2-IN-1 LED PUCK



INDOOR

ACCENT LED LIGHTING

These robust LED pucks, featuring a frosted lens, deliver highly efficient punches of white light. Well suited for under-cabinet lighting and a variety of other applications.

Key features

- Can be surface or recessed
- Heat sink and thermal protection
- Ideal for highlighting display cabinets
- Dimmable

MODEL

- 4005FR** 1.5W Single puck, 3000°K, 90 Raw Lumens, surface mounted adapter included
- 4005HP** 2.6W Single puck, 3000°K, 230 Raw Lumens, surface mounted adapter sold separately

SPECIFICATION

- 12V DC LED driver required.
- Over 50,000 hours of service life.
- 12" (30 cm) input lead with quick connector.
- 24" (61 cm) interconnection harness included.
- Warm white light.
- Excellent color rendering.
- Superior LED performance and lifespan.
- Smooth 360° wide spread.
- Minimal heat emission.
- Brighter than most equivalent 20W halogen pucks.
- Steel/aluminum construction.
- Frosted glass lens.
- Fully dimmable with the DALI 6-zone translator.
- Dimmable with most low-voltage electronic dimmers when used with DALI dimming power supply.

INSTALLATION

- For recess or surface installation, in any direction.
- Ideal for accent lighting inside or under any cabinet, shelf or display.
- A variety of power supplies and installation accessories available.

FINISH

- BK** Black
WH White
SN Satin nickel

POWER SUPPLIES – PLUG IN

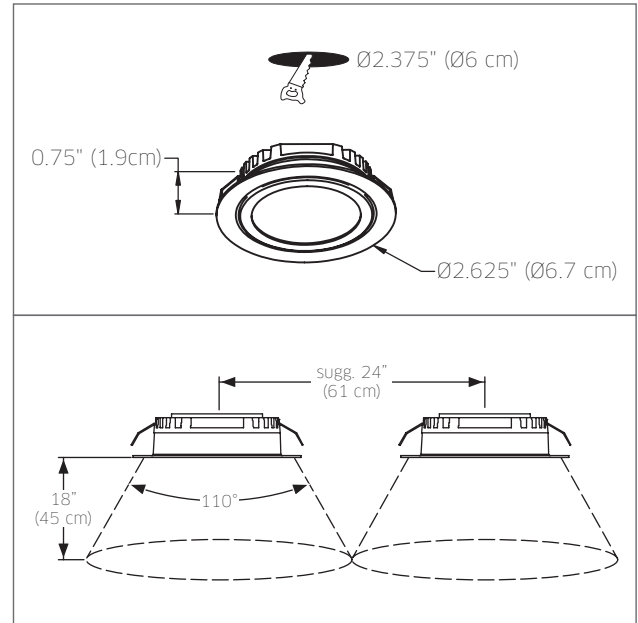
- ETR-LED10WPI** 12VDC/10W class 2 LED driver
ETR-LED24WPI 12VDC/24W class 2 LED driver
ETR-LED96WPI 12VDC/96W class 2 LED driver

POWER SUPPLIES – HARD-WIRED

- BT06DIMLED-IC** 6W Dimmable LED Hardwire driver
BT12DIMLED-IC 12W Dimmable LED Hardwire driver
BT24DIMLED-IC 24W Dimmable LED Hardwire driver
BT48DIMLED-IC 48W Dimmable LED Hardwire driver
BT80DIMLED-IC 80W Dimmable LED Hardwire driver

ACCESSORIES

- 4000E-24** 24" (61 cm) Extension cord
4000E-60 60" (152.4 cm) Extension cord
4000HRNS-24 24" (61 cm) Interconnection harness
LED6ZONE-72W 72W 6-zone translator
LED6ZONE-RMT Remote for 6-zone translator
4005HP-SURF-BK Surface mounted adapter, black
4005HP-SURF-SN Surface mounted adapter, Satin Nickel
4005HP-SURF-WH Surface mounted adapter, White



ORDERING EXAMPLE

4005FR-WH

Would order a 4005 single puck with a 1.5W LED array with 90 Raw Lumens at 3000°K in a white finish.