



LED PUCK



ACCENT LED LIGHTING

The sleekness of this LED Puck design makes it the right choice for cabinet and kitchen lighting applications. It can be dimmed to provide just the right ambience in your décor.

Key features

- Surface and recessed mounting
- Low profile design
- Dimmable

MODEL

LEDRDP18 1.4W Single puck, 3000°K, 97 Raw Lumens

SPECIFICATION

- 12V DC LED driver required.
- Over 50,000 hours of service life.
- 12" (30 cm) input lead with quick connector.
- 24" (61 cm) interconnection harness included.
- Warm white light.
- Excellent color rendering.
- Superior LED performance and lifespan.
- Smooth 360° wide spread.
- Minimal heat emission.
- Surface adapter included.
- Frosted lens.
- Dimmable with most low-voltage electronic dimmers when used with DALI dimming power supply.

INSTALLATION

- For recess or surface installation, in any direction.
- Ideal for accent lighting inside or under any cabinet, shelf or display.
- A variety of power supplies and installation accessories available.

FINISH

WH White

POWER SUPPLIES – PLUG IN

ETR-LED10WPI 12VDC/10W class 2 LED driver

ETR-LED24WPI 12VDC/24W class 2 LED driver

ETR-LED96WPI 12VDC/96W class 2 LED driver

POWER SUPPLIES – HARD-WIRED

BT06DIMLED-IC 6W Dimmable LED Hardwire driver

BT12DIMLED-IC 12W Dimmable LED Hardwire driver

BT24DIMLED-IC 24W Dimmable LED Hardwire driver

BT48DIMLED-IC 48W Dimmable LED Hardwire driver

BT80DIMLED-IC 80W Dimmable LED Hardwire driver

ACCESSORIES

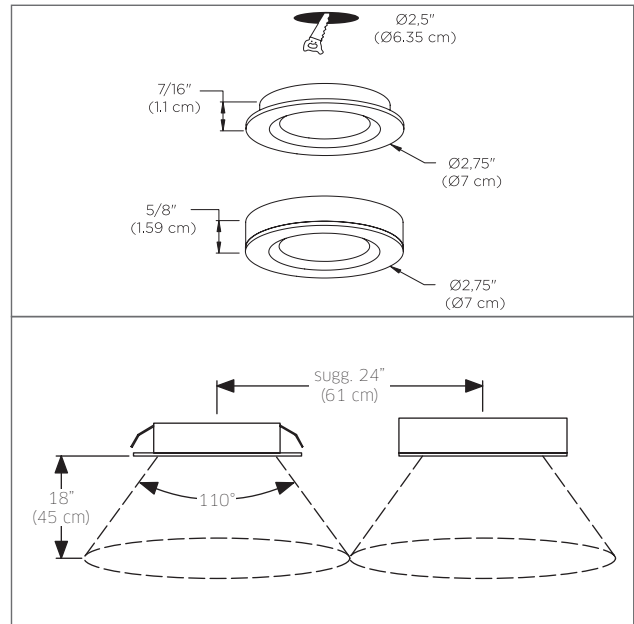
4000E-24 24" (61 cm) Extension cord

4000E-60 60" (152.4 cm) Extension cord

4000HRNS-24 24" (61 cm) Interconnection harness

LED6ZONE-72W 72W 6-zone translator

LED6ZONE-RMT Remote for 6-zone translator



ORDERING EXAMPLE

LEDRDP18

Would order a LEDRDP18 single puck with a 1.4W LED array with 97 Raw Lumens at 3000°K in a white finish.