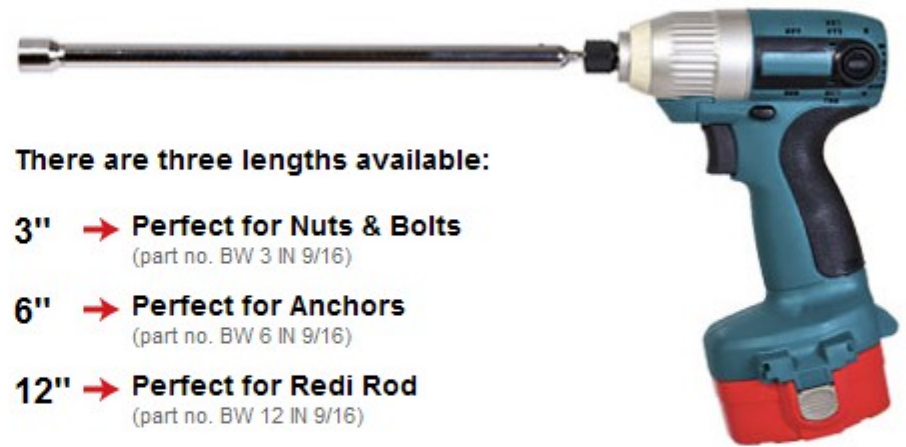


Big Willy 9/16" Hollow Shank Power Nut Driver

The *Big Willy 9/16" Hollow Shank Power Nut Driver* fits 3/8" SAE. Nuts, Bolts, Anchors and Redi Rod!

Attached to a drill*, it is **ten times easier** and **ten times faster** than using your fingers.



There are three lengths available:

3" → **Perfect for Nuts & Bolts**
(part no. BW 3 IN 9/16)

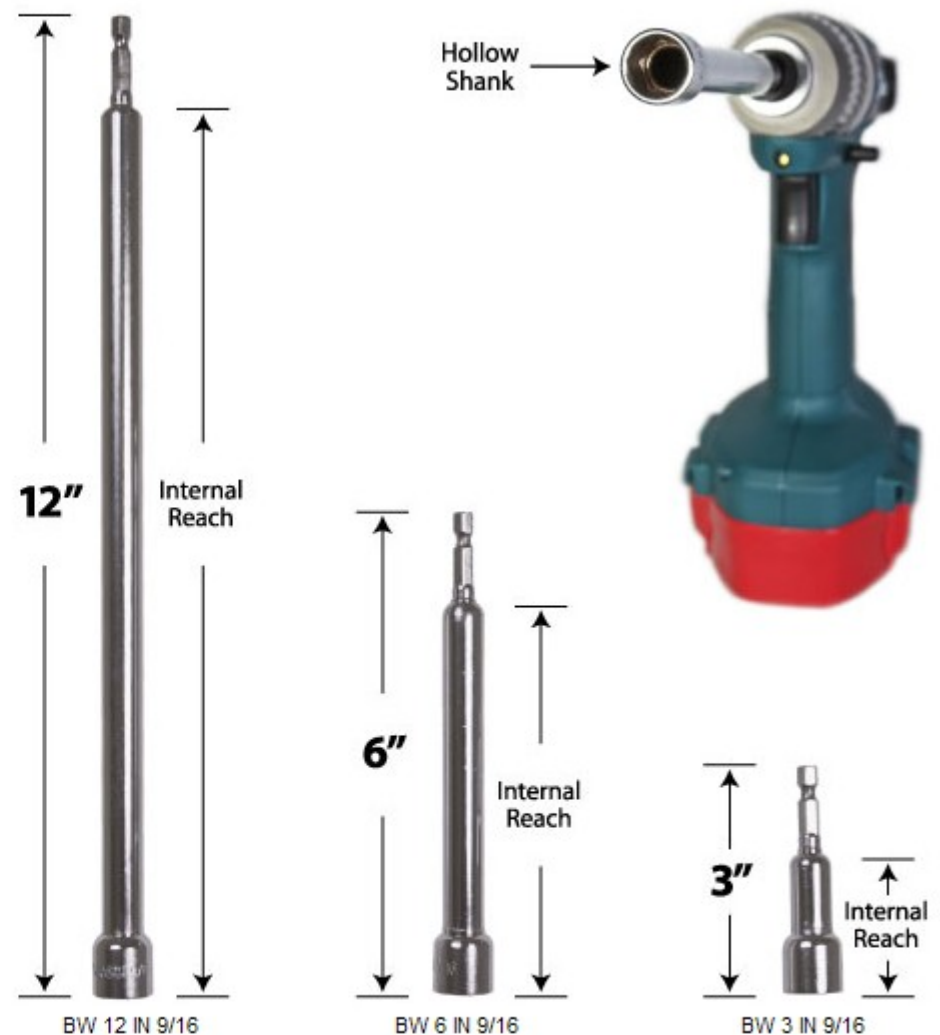
6" → **Perfect for Anchors**
(part no. BW 6 IN 9/16)

12" → **Perfect for Redi Rod**
(part no. BW 12 IN 9/16)

The Big Willy Solution:

The Big Willy solves a number of problems in driving and fastening 3/8" hardware.

- The Big Willy has a 9/16" socket to drive 3/8" nuts, bolts, Redi Rod and hardware.
- The Big Willy is a one piece tool so the parts cannot be separated and lost.
- The Big Willy currently comes in 3 lengths: 3", 6", 12" but can be manufactured in any length as may be required.
- The Big Willy has a hollow shank that permits the nut to be driven down a long threaded rod to the limit of this shank.
- The Big Willy shank is hollow to the maximum depth permitted by the construction of the tool, not just part way.
- The Big Willy has a collet drive shank (very common) to permit its use in a collet drive chuck. This drive shank also fits all common conventional drill chucks.
- The Big Willy can also be driven without a power drill via a variety of hand operated collet drive tools (these tools commonly have handles that accommodate a collection of different screw bits, all with collet drive shanks).
- Big Willy is the only 9/16" power socket for cordless drill, the only power driven socket with a hollow shank and the longest / deepest power driven socket made.



*drill shown above not included