

Low Voltage Boxes



SBCLV1G



SBCLV2G

SBC Low Voltage (LV) Data Rings

New wire and rewire compatible.

Adjustable rise is built in.

LV1G and LV2G data rings have hinged conduit adapters (3/4" & 1").

How Smart? *This SMART!*

All Smart Boxes:

- Mount internally
- Are rewire capable
- Are new wire capable
- Are adjustable depth
- Include mounting screws already in position
- Have big cubic inches - the biggest in the industry
- Are securely stud mounted in old or new work

SMART BOX™

THINK INSIDE THE BOX!

Multi-Mount Device Boxes

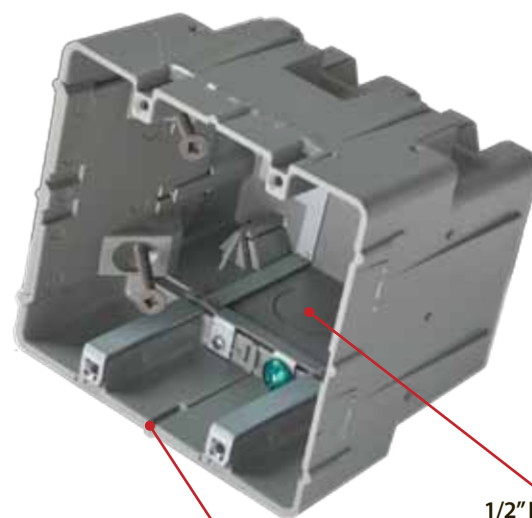
All Smart Box Products Mount Internally • Wall dividers are available for the (2) through (6) gang boxes for line voltage / low voltage separation. Horizontal and vertical mounting capabilities are provided with (2) through (6) gang boxes • Two (1/2") KO locations provided in the (2) through (6) gang boxes.

SBCMM1G



Internal Mounting Screws

SBCMM2G



1/2" Knockout



SBCRND

Round Box

An adjustable depth, new work, old work ceiling box.

Extra deep for mounting all smoke and carbon detectors.

50 lbs Fixture Support



SBCFAN

Fan box

Same features as SBCRND with steel reinforcement

Side beam mounted, as compared to bottom beam mounted.

Extra deep for paddle fan receivers that mount inside the box.

50 lbs Fan Support.

75 lbs Fixture Support.



Steel Reinforced Back

SBCMMW

Wall Divider

Low Voltage/Line Voltage Barrier.

Wall Dividers fit all (2) - (6) gang MM Boxes (in multiple locations).



SBCHZ

Horizontal Box

Match up to existing fittings in old work baseboards.

Works well on exterior siding and shingles.

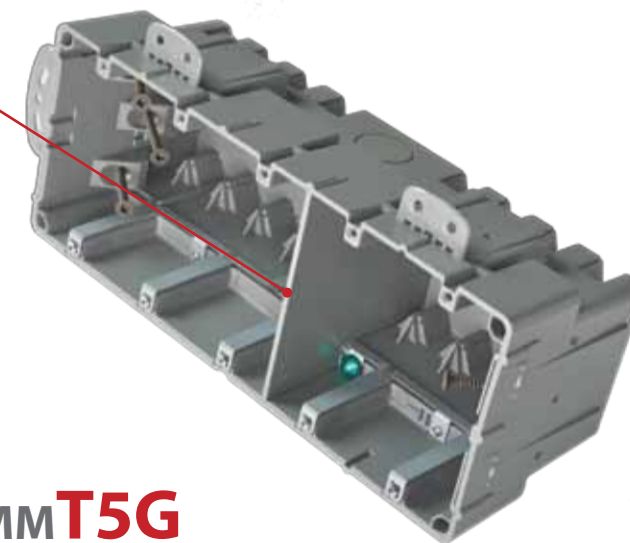


Multi Mount (5) Gang and (6) Gang Features

Removable external tabs are provided for easy new work installation and mounting to metal studs. One Wall Divider (SBCMMW) is provided for voltage separation.



SBCMMT5G



SBCMMT6G



Toll Free: **877-206-5577**

www.smartboxcanada.com

SBCMM1G

21 cu in
10 - #14
9 - #12

SBCMM2G

37 cu in
18 - #14
16 - #12

SBCMM3G

54 cu in
27 - #14
24 - #12

SBCMM4G

67 cu in
33 - #14
29 - #12

SBCMMT5G

91.5 cu in
45 - #14
40 - #12

SBCMMT6G

110 cu in
55 - #14
48 - #12

SBCHZ

22.5 cu in
11 - #14
10 - #12

SBCMMW

Voltage Barrier
Fits 2 gang
to 6 gang

SBCRND

24 cu in
12 - #14
10 - #12

SBCFAN

24 cu in
12 - #14
10 - #12

SBCLV1G

Low voltage
Horizontal or
Vertical mount

SBCLV2G

Low voltage
2 gang