

HS 150, HS 300

Halogen Outdoor Sensor Light



Project Name:
Location:



HS 150, HS 300 Specifications

Item No.	63311 HS 150 white 63301 HS 150 black 63331 HS 300 white 63321 HS 300 black
Voltage	120 VAC, 60 Hz
Maximum Wattage	HS 150: 150 watts HS 300: 300 watts
Sensing Technology	passive infrared (PIR)
Time Delay Setting	10 seconds to 15 minutes
Mounting	wall
Light Level Setting	.2-200 footcandles, 2-2000 lux
Environment	P44 raintight rated, -40°F to +120°F, -40°C to +49°C
Coverage	240° up to 40 foot reach (12.2 m)
Sensors	2 dual element infrared pyroelectric detectors
Lens Design	304 switching zones, 9 levels
Dimensions (LxWxD)	HS 150 8.5 x 6.2 x 6.7 in, 215 x 155 x 170 mm HS 300 9.5 x 8.3 x 7.4 in, 240 x 210 x 180 mm
Warranty	5 years
Certifications	C-UL-US Listed, CSA Approved, RoHS Compliant

The STEINEL HS 150 and HS 300 occupancy sensors mount on a wall and are raintight for safe reliable operation indoors and out.

The sensors are passive infrared and respond to heat radiated from moving persons or other heat-emitting objects (such as vehicles). They automatically turn lights on when presence is detected and off when a space is left vacant.

Applications

Exterior locations include entryways, driveways, carports, patios and balconies.

Key Features:

- 240° coverage with up to 40 ft reach
- Lens provides 304 switching zones
- The floodlight tilts and swivels within a range of 150° vertically and 80° horizontally to achieve desired illumination
- Coverage area may be customized with supplied snap-on shrouds and through fine-tune rotation adjustment
- Precision molded lens is distortion free and watertight
- Light level feature allows lighting to remain off during daylight regardless of occupancy
- Built in surge protection with auto-reset
- Override feature keeps lighting on for 4 hours regardless of occupancy, then resets to sensor mode



Voltage



Passive Infrared Technology



240° Coverage



IP44 Rated



Mounting

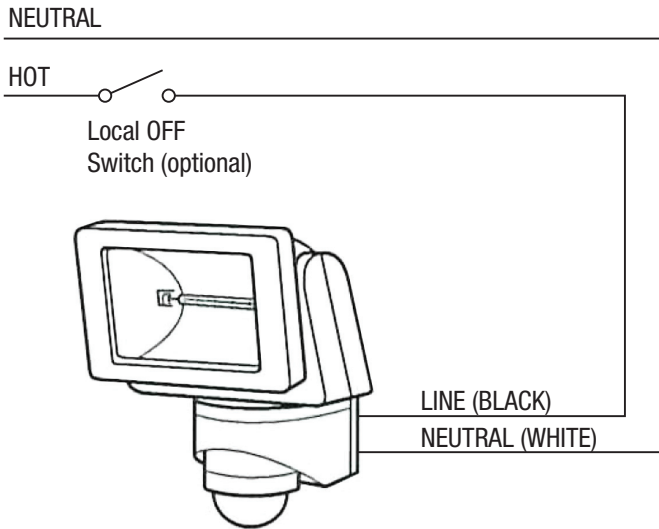


www.steinell.net

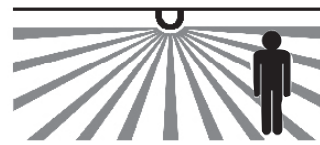
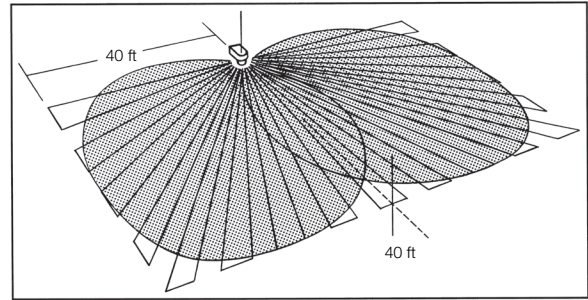
HS 150, HS 300

Halogen Outdoor Sensor Light

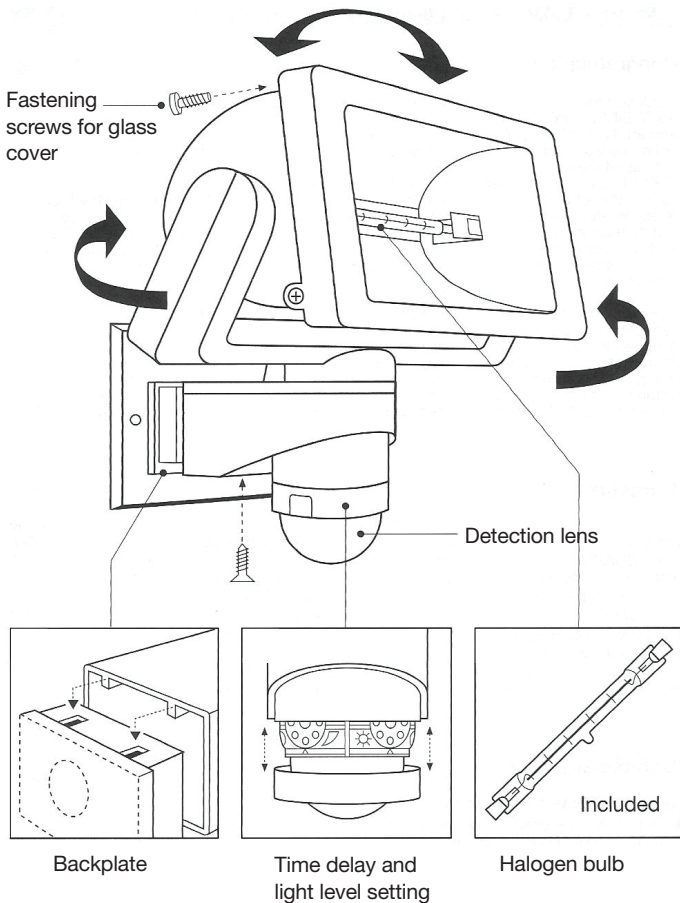
Wiring



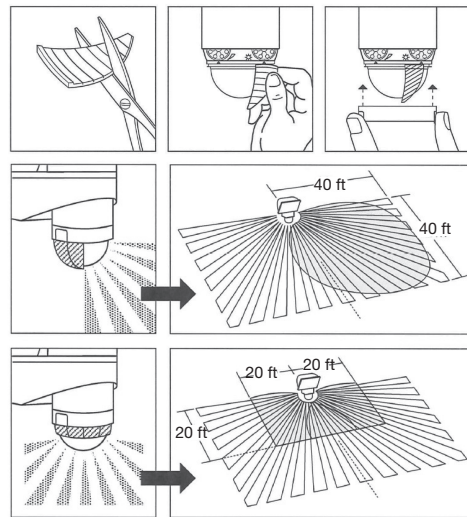
Coverage



Controls

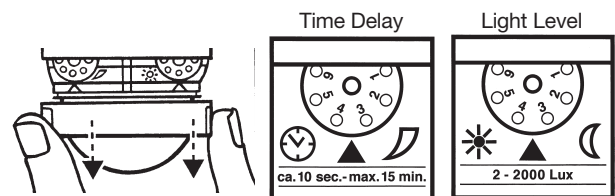


Coverage Adjustment



Shrouds, supplied with each unit, snap in place, allowing users to adjust coverage as needed.

Settings



Thumb dial adjustments for time delay and light level are located beneath the decorative cover