

CPU Universal Conduit Outlet Boxes and Covers

Explosionproof, Dust-Ignitionproof

UNILETS® for use with Threaded Metal Conduit.

NEC:

Class I, Division 1 and 2, Groups C, D
Class II, Division 1 and 2, Groups E, F, G
Class III

Applications

- Complies with a wide range of classified area requirements.
- Corrosion-resistant: ideal indoors or out.
- For pulling of wires.
- Connect conduit lengths and change direction of conduit runs.
- Provide access for maintenance.

Features

- Malleable iron bodies have high tensile strength and ductility. Provides great resistance to corrosion, impact, and shock.
- Accurately tapped, tapered hub threads for tight, rigid joints and ground continuity.
- Furnished with covers.
- General purpose wiring.
- Universal design with four threaded universal hubs and three close-up plugs.
- Serve as mounting outlets for lighting fixtures when used with hub cover.
- Wide, accurately ground explosionproof mating surfaces.
- Smooth, rounded integral bushing in each hub type box protects conductor insulation.

Standard Materials

- Bodies and covers : malleable iron
- Connection block: phenolic

Standard Finishes

- Bodies and covers: triple-coat — (1) zinc electroplate, (2) chromate, and (3) epoxy powder coat

NEC Certifications and Compliances

- UL Standard: UL 886 (UL 1203)
- UL Listed: E10444

Box Type	Conduit Size (Inches)	Fixture Stem Size Inches	Cover Opening mm (in)	Capacity dm ³ (in ³)	Catalog Number
----------	-----------------------	--------------------------	-----------------------	---	----------------

CPU Box with Blank Cover

Furnished with four threaded universal 3/4" hubs, four 3/4" to 1/2" reducers, and three 1/2" close-up plugs.



1/2 or 3/4	Blank	96.8 (3.81)	0.39 (24.0)	CPU20
------------	-------	-------------	-------------	--------------

CPU Box with Hub Cover

(Supports 112.5 kg (248 lb)) Furnished with four threaded universal 3/4" hubs, five 3/4" to 1/2" reducers, and three 1/2" close-up plugs.



1/2 or 3/4	3/4 ①	96.8 (3.81)	0.39 (24.0)	CPU20-75
------------	-------	-------------	-------------	-----------------

CPU Covers only

Furnished with fastening screws.



Cover	Blank	96.8 (3.81)	—	CPSK20B
-------	-------	-------------	---	----------------



Hub Covers	3/4 ①	96.8 (3.81)	—	CPSK20-75
------------	-------	-------------	---	------------------

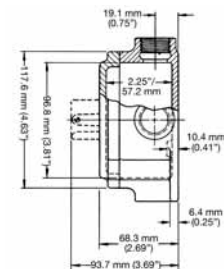
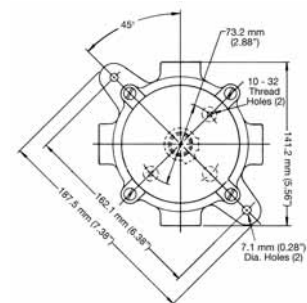
CPU Connection Block

Phenolic. With fastening strap and two mounting screws.

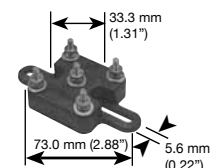
5-Wire, 20 Amp, 300 Volt	CB205
--------------------------	--------------

Dimensions in Millimeters (Inches)

CPU Box with Cover



Connection Block



① Supplied with 3/4" to 1/2" reducer.