

Vertical Drain/Sealing Fittings — 25%

Type EYD

Female/Female

Type EYDM

Male/Female

Use:

To seal and drain vertical conduits. To minimize the passage of gases and vapors and prevent the passage of flames from one portion of the electrical system to another through the conduit.

Features:

- Threaded for Rigid Conduit or IMC
- Tapered threads (NPT)
- Large cover opening for easy packing of fiber dam on 1/4" through 4" sizes
- Can be used with Appleton Kwiko® -A or Crouse-Hinds Chico Sealing Compound.
- Provides continuous water drain path while allowing conduit run to breathe, in compliance with the NEC.
- 25% conductor fill. For 40% Conductor Fill, see EYDX on page BA9.
- Sealing Compound & Fiber- see pg. BA13.
- EYDM style supplied with removable close nipple

Material/Finish:


Ductile/Malleable Iron Body, Seal Cover and Filler Plug/Triple Coat-- (1) Zinc electroplate, (2) Chromate, and (3) Epoxy powder coat Stainless Steel Drain/Breather


Optional Finish:

Hot Dip or Mechanical Galvanized.
Add suffix "G" to standard catalog number.
All sizes of plugs are Mechanical Galvanized.
Contact your local representative for pricing and availability.

Note:Turning radius with cover and plug removed.

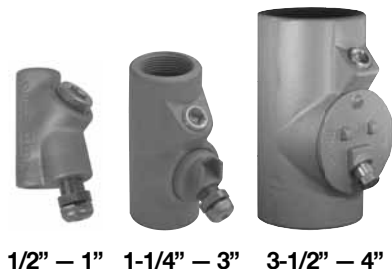
Third Party Certification:

-  UL Listed: E-10444
Class I, Div. 1, 2, Groups B, C, D
Class I, Zone 1, 2, Groups IIA, IIB,+H₂
Class II, Div. 1, 2, Groups E, F, G
Class III
Suitable for wet locations

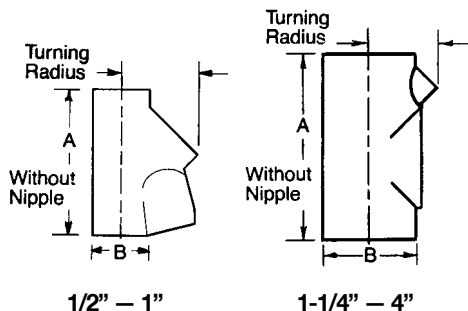
-  CSA Certified. 065181
CSA Certified using any manufacturers
CSA Certified sealing compound.

Applicable Third Party Standards:

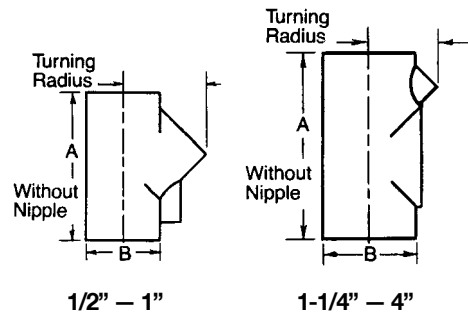
UL Standard: 886 (1203)
CSA Standard: C22.2 No. 30



EYD



EYDM



Trade Size (inches)	Catalog Number	Dimensions in Inches			Kwiko® A Compound Required	Approx. Amt. Fiber/Hub Required
		(A) Overall Length	(B) Body Diameter	Turning Radius		
1/2	EYD-50	3/8	1/8	1 15/16	2 oz	1/32 oz
3/4	EYD-75	3/8	1/8	1 15/16	2 oz	1/16 oz
1	EYD-100	4 1/16	1 3/4	2 1/16	3 oz	1/8 oz
1 1/4	EYD-125	4 15/16	2	1 3/4	7 oz	1/4 oz
1 1/2	EYD-150	5 1/2	2 1/4	2 1/16	13 oz	1/2 oz
2	EYD-200	6 1/8	2 3/4	2 5/16	22 oz	1 oz
2 1/2	EYD-250	7 1/2	3 5/8	2 11/16	36 oz	1 1/2 oz
3	EYD-300	8 1/8	4 15/16	3 3/8	61 oz	2 oz
3 1/2	EYD-350	8 15/16	4 3/8	3 7/16	89 oz	3 oz
4	EYD-400	9 3/8	5	3 11/16	114 oz	4 1/2 oz
1/2	EYDM-50	5 3/16	1 1/8	1 15/16	2 oz	1/32 oz
3/4	EYDM-75	5 33/64	1 3/8	1 15/16	2 oz	1/16 oz
1	EYDM-100	6 33/64	1 1/4	2 1/16	3 oz	1/8 oz
1 1/4	EYDM-125	6 49/64	2	1 3/4	7 oz	1/4 oz
1 1/2	EYDM-150	7 37/64	2 1/4	2 1/16	13 oz	1/2 oz
2	EYDM-200	8 3/16	2 3/4	2 5/16	22 oz	1 oz
2 1/2	EYDM-250	10 3/16	3 5/8	2 11/16	36 oz	1 1/2 oz
3	EYDM-300	10 55/64	4 15/16	3 3/8	61 oz	2 oz
3 1/2	EYDM-350	11 3/4	4 3/8	3 7/16	89 oz	3 oz
4	EYDM-400	12 33/64	5	3 11/16	114 oz	4 1/2 oz